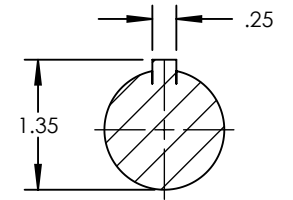
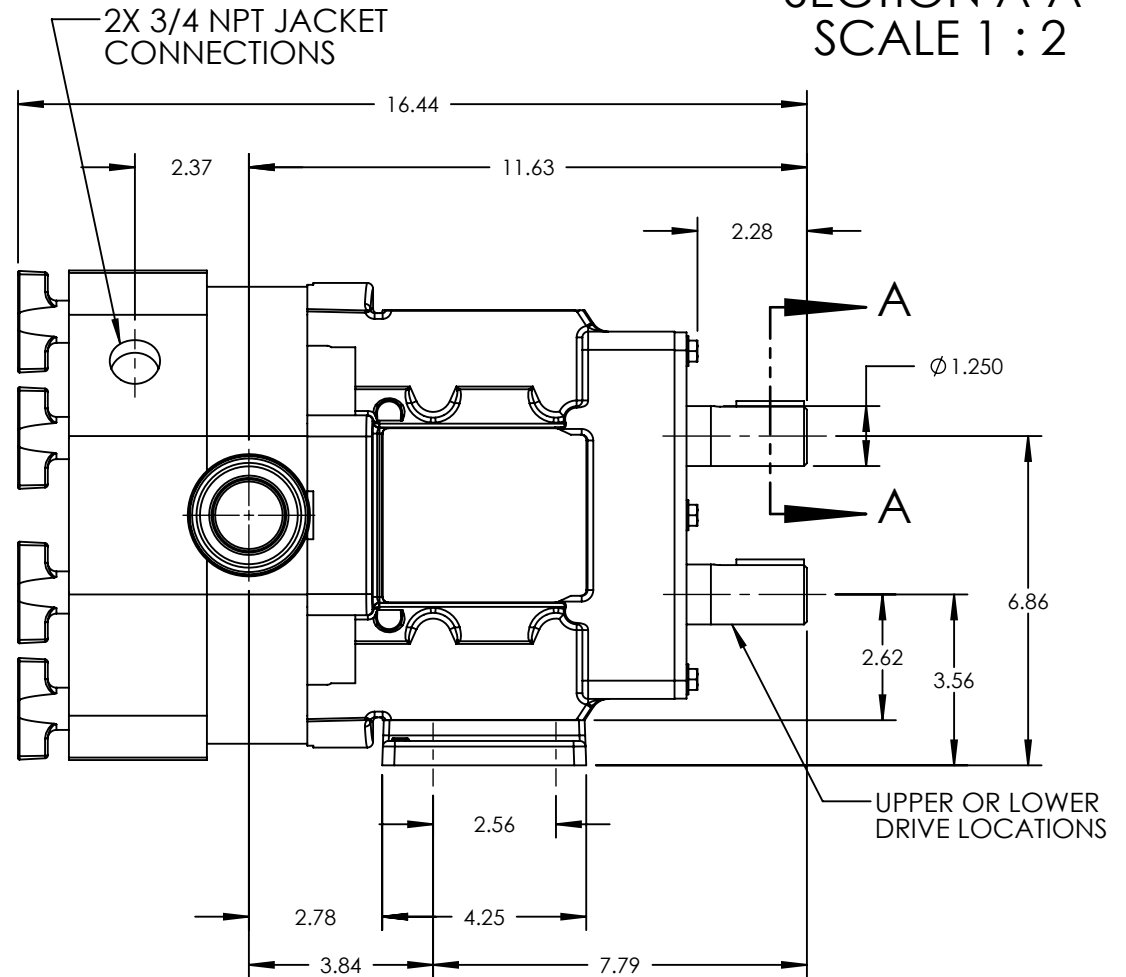
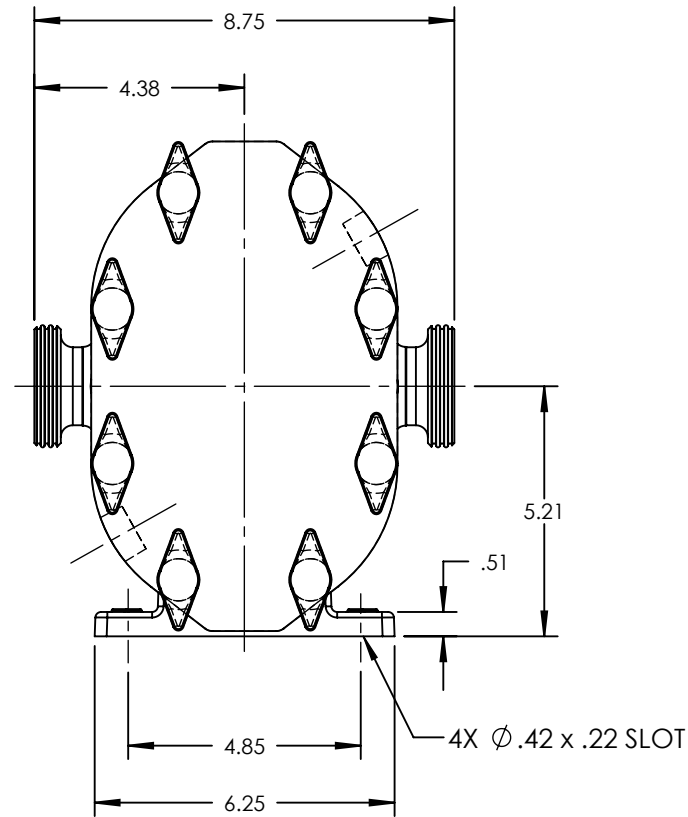


|             |                |
|-------------|----------------|
| PUMP MODEL  | TRA10-0300     |
| ORIENTATION | HORIZONTAL     |
| COVER       | JACKETED       |
| INLET       | 1.5" DIN 11851 |
| DISCHARGE   | 1.5" DIN 11851 |
| SPECIALS    | NONE           |



SECTION A-A  
SCALE 1 : 2



NOTES:

- THIS IS NOT A CERTIFIED DRAWING. USE FOR GENERAL INSTALLATION ONLY.

|          |          |            |                             |
|----------|----------|------------|-----------------------------|
| STATE    | Released | 09/18/2017 | DIMENSIONS ARE IN<br>INCHES |
| DRAWN    | jgerbig  | 9/18/2017  |                             |
| CHECKED  | JAG      | 09/18/2017 |                             |
| PROJECT: |          |            | WAS:                        |



THIS DRAWING IS THE PROPERTY OF WRIGHTFLOW TECHNOLOGIES AND IS PROPRIETARY IN GENERAL AND DETAIL. IT SHALL NOT BE COPIED OR ITS CONTENTS REVEALED TO OUTSIDE PARTIES WITHOUT THE WRITTEN CONSENT OF WRIGHTFLOW TECHNOLOGIES

3D

|                |              |            |
|----------------|--------------|------------|
| DWG. NO.       | SHEET 1 OF 2 | REV. B.0   |
| TRA10-0300-021 |              | 09/18/2017 |

