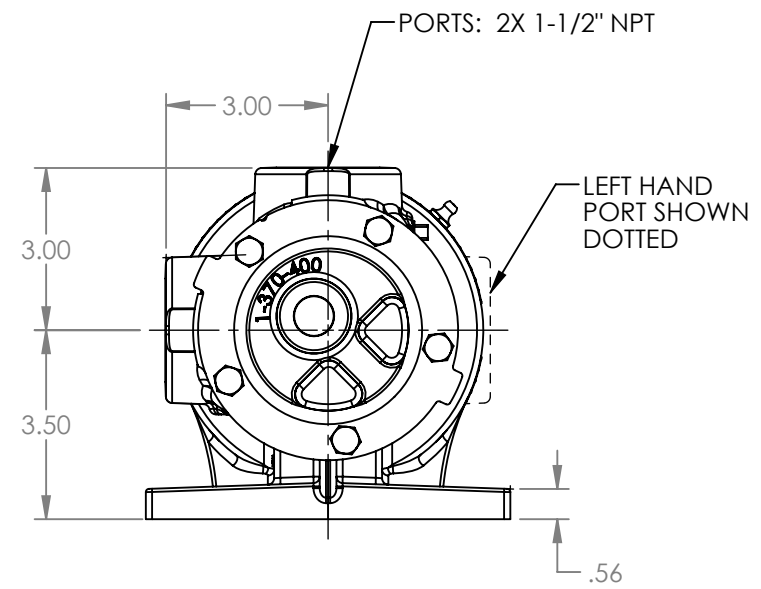
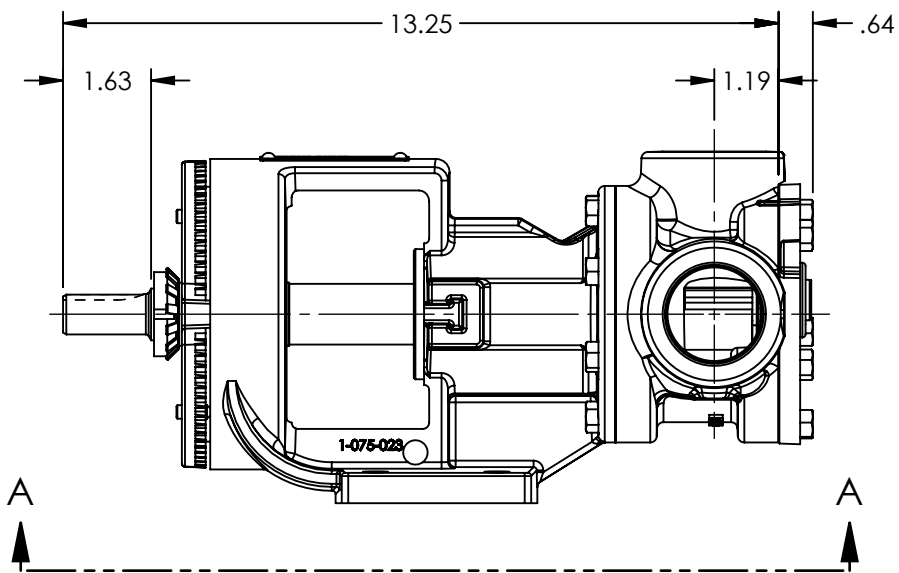



VIEW A-A



STANDARD MODELS:
 H124A, H1124A, H4124A, H4124B, H126A, H4126A, H4624B,
 HL124A, HL1124A, HL4124A, HL4124B, HL126A, HL4126A, HL4624B

NOTES:
 1. ALL DIMENSIONS ARE FOR REFERENCE ONLY.

STATE	Released	11/08/2019	DIMENSIONS ARE IN INCHES		VIKING PUMP, INC. A Unit of IDEX Corporation Cedar Falls, IA 50613 U.S.A.	THIS DRAWING IS THE PROPERTY OF VIKING PUMP, INC. AND IS PROPRIETARY IN GENERAL AND DETAIL. IT SHALL NOT BE COPIED OR ITS CONTENTS REVEALED TO OUTSIDE PARTIES WITHOUT THE WRITTEN CONSENT OF VIKING PUMP, INC.	3D	DWG. NO.	SHEET 1 OF 1	REV. E.1			
DRAWN	sjakel	01/15/2019						PROJECT:					
CHECKED	AA	11/08/2019						WAS:					