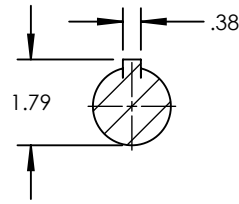
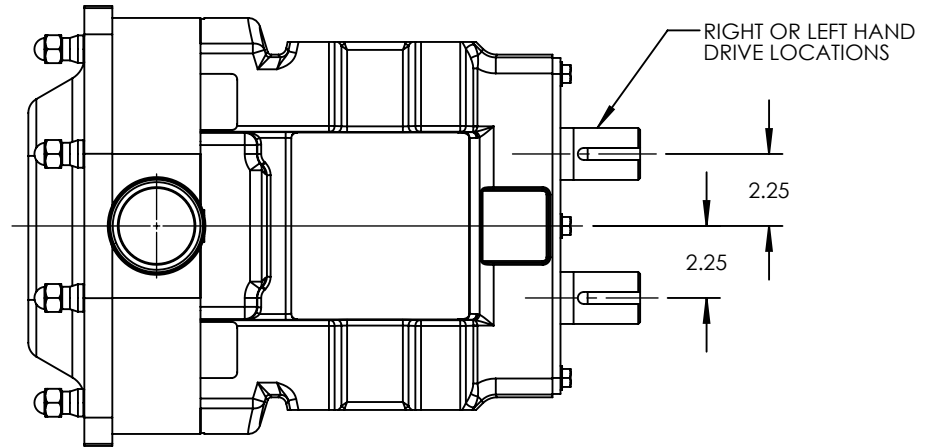
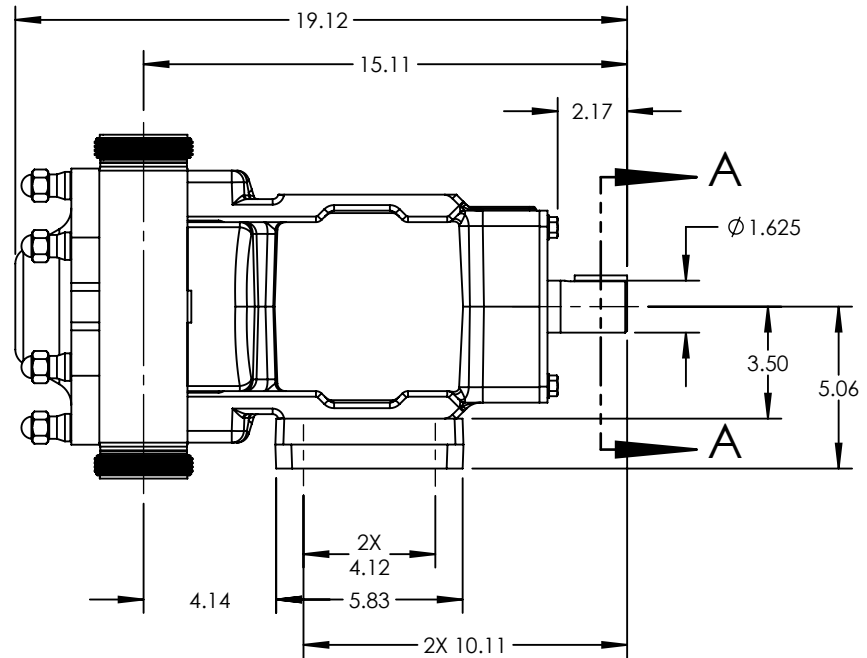
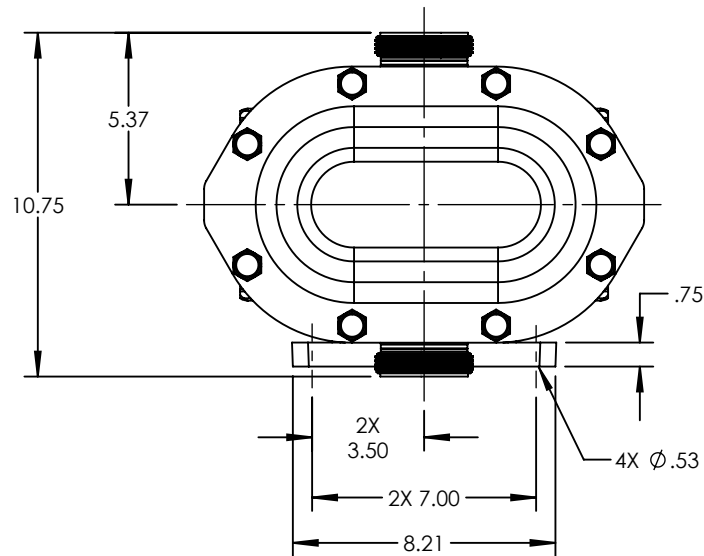


PUMP MODEL	TRA20-0600
ORIENTATION	VERTICAL
COVER	STANDARD
INLET	2.5" IDF
DISCHARGE	2.5" IDF
SPECIALS	NONE



SECTION A-A
SCALE 1 : 4



NOTES:

- THIS IS NOT A CERTIFIED DRAWING. USE FOR GENERAL INSTALLATION ONLY.

STATE	Released	02/16/2024	DIMENSIONS ARE IN INCHES		VIKING PUMP, INC. A Unit of IDEX Corporation Cedar Falls, IA 50613 U.S.A. VIKINGPUMP.COM	THIS DRAWING IS THE PROPERTY OF VIKING PUMP, INC. AND IS PROPRIETARY IN GENERAL AND DETAIL. IT SHALL NOT BE COPIED OR ITS CONTENTS REVEALED TO OUTSIDE PARTIES WITHOUT THE WRITTEN CONSENT OF VIKING PUMP, INC.	DWG. NO.	SHEET 1 OF 1	REV. B.0
DRAWN	cneff	7/23/2014					PROJECT:	3D TRA20-0600-024	02/16/2024
CHECKED	MEW	02/15/2024					WAS:		