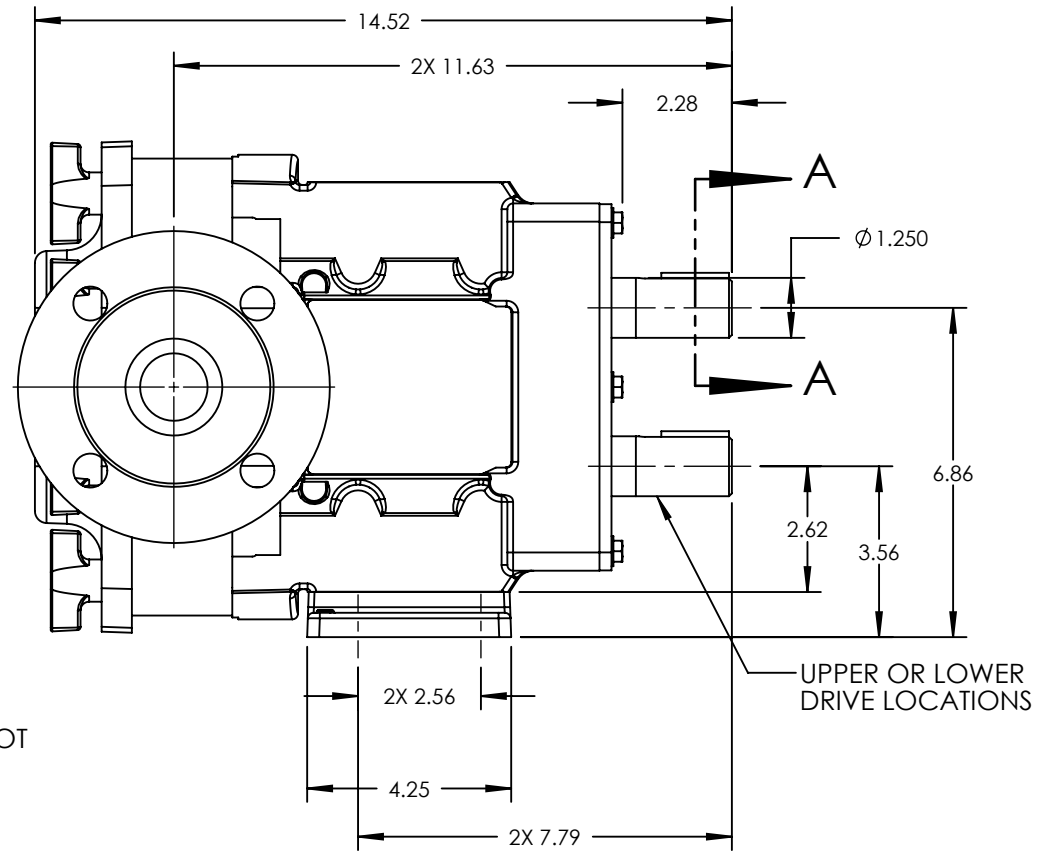
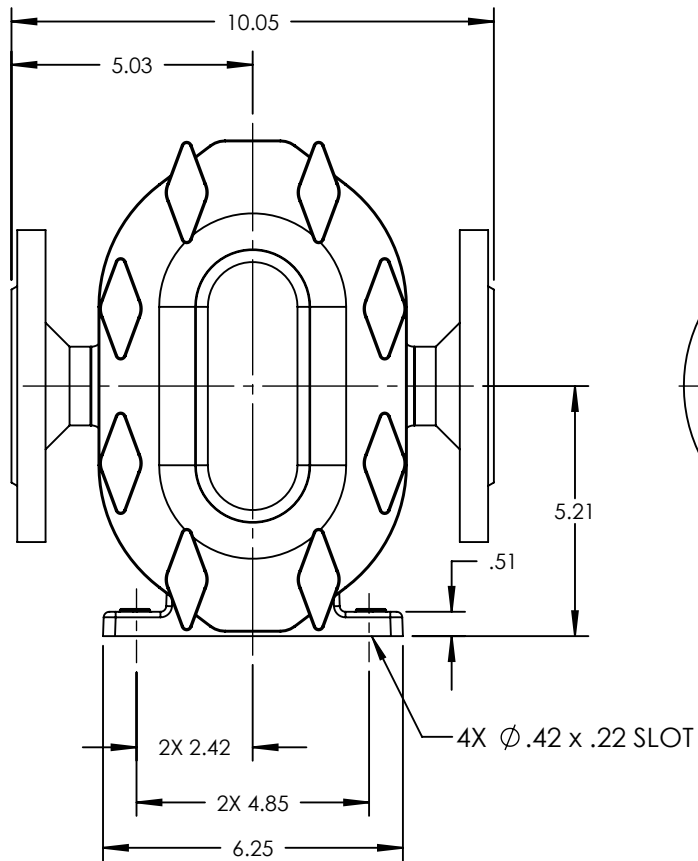
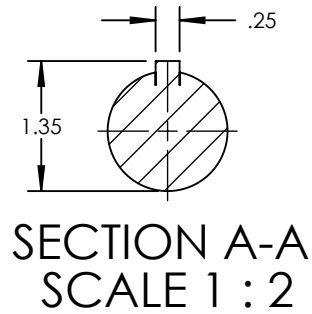


PUMP MODEL	TRA10-0300
ORIENTATION	HORIZONTAL
COVER	STANDARD
INLET	2.0" DIN 2633
DISCHARGE	2.0" DIN 2633
SPECIALS	NONE



NOTES:

1. THIS IS NOT A CERTIFIED DRAWING. USE FOR GENERAL INSTALLATION ONLY.

STATE	Released	11/05/2018	DIMENSIONS ARE IN INCHES
DRAWN	cneff	11/5/2018	
CHECKED	CJN	11/05/2018	PROJECT:
			WAS:



THIS DRAWING IS THE PROPERTY OF WRIGHTFLOW TECHNOLOGIES AND IS PROPRIETARY IN GENERAL AND DETAIL. IT SHALL NOT BE COPIED OR ITS CONTENTS REVEALED TO OUTSIDE PARTIES WITHOUT THE WRITTEN CONSENT OF WRIGHTFLOW TECHNOLOGIES

3D

DWG. NO. TRA10-0300-029
SHEET 1 OF 2

REV. B.0

