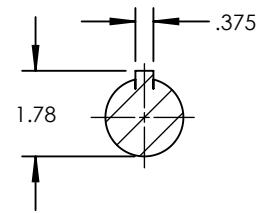
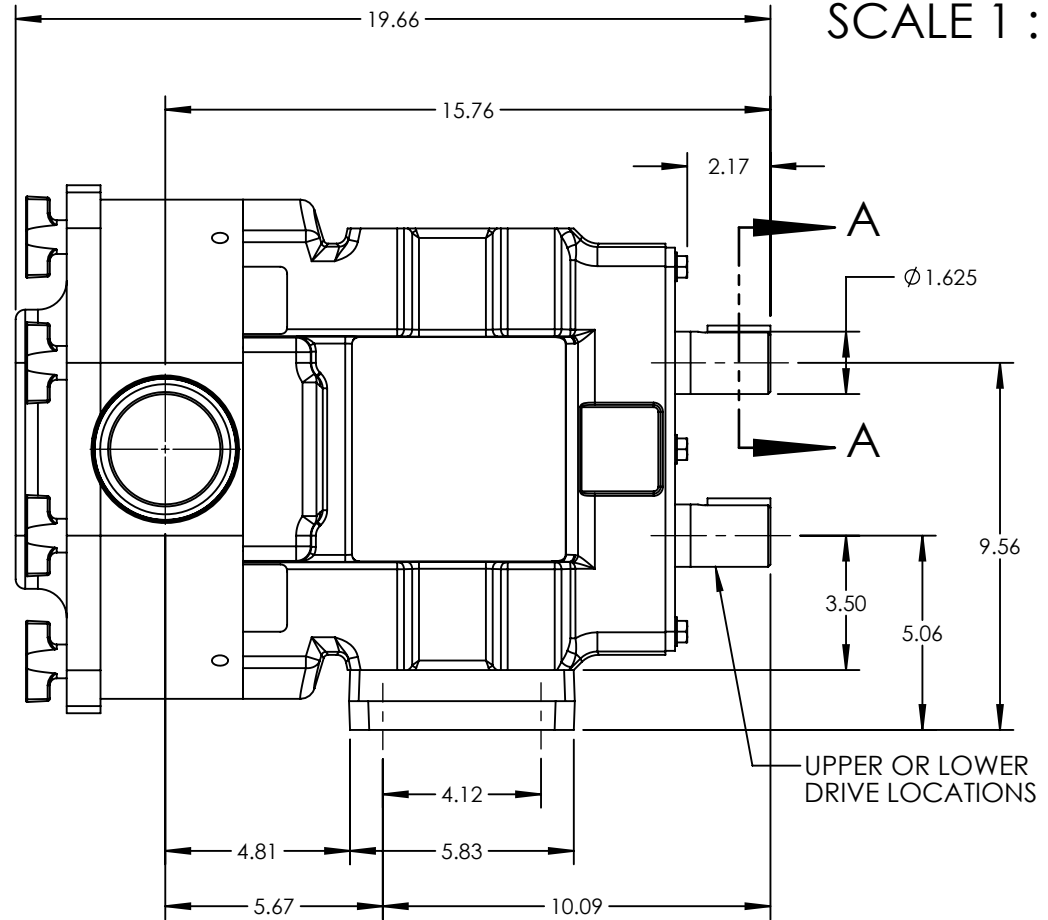
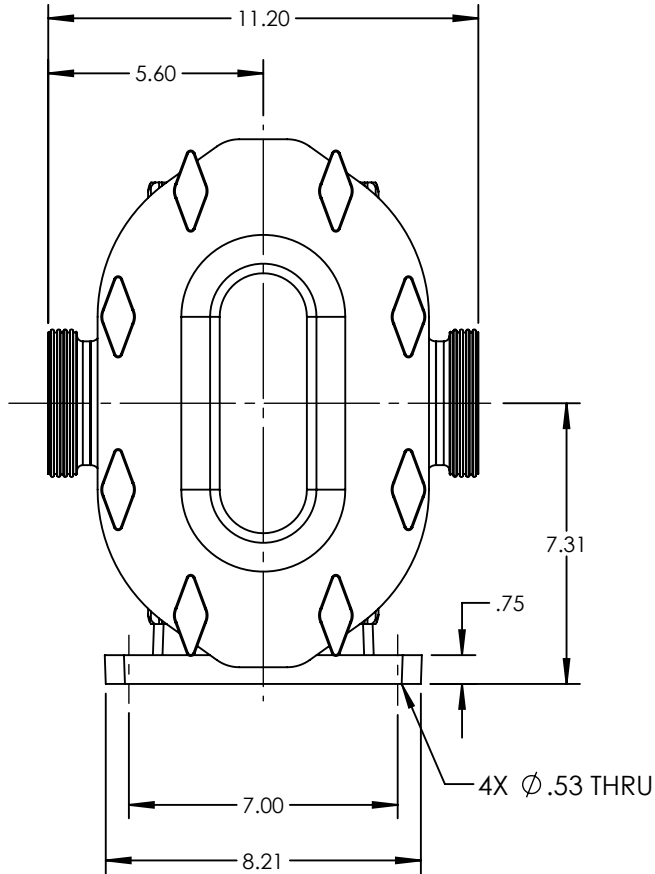


PUMP MODEL	TRA10-1300
ORIENTATION	HORIZONTAL
COVER	STANDARD
INLET	3.0" SMS
DISCHARGE	3.0" SMS
SPECIALS	NONE




SECTION A-A
SCALE 1 : 4



UPPER OR LOWER
DRIVE LOCATIONS

NOTES:

- THIS IS NOT A CERTIFIED DRAWING. USE FOR GENERAL INSTALLATION ONLY.

STATE	Released	04/11/2024	DIMENSIONS ARE IN INCHES	 VIKING PUMP, INC. A Unit of IDEX Corporation Cedar Falls, IA 50613 U.S.A. VIKINGPUMP.COM	THIS DRAWING IS THE PROPERTY OF VIKING PUMP, INC. AND IS PROPRIETARY IN GENERAL AND DETAIL. IT SHALL NOT BE COPIED OR ITS CONTENTS REVEALED TO OUTSIDE PARTIES WITHOUT THE WRITTEN CONSENT OF VIKING PUMP, INC.	3D	DWG. NO.	SHEET 1 OF 1	REV. B.0	
DRAWN	jgerbig	1/13/2017					PROJECT:	TRA10-1300-022		
CHECKED	MEW	04/09/2024					WAS:			