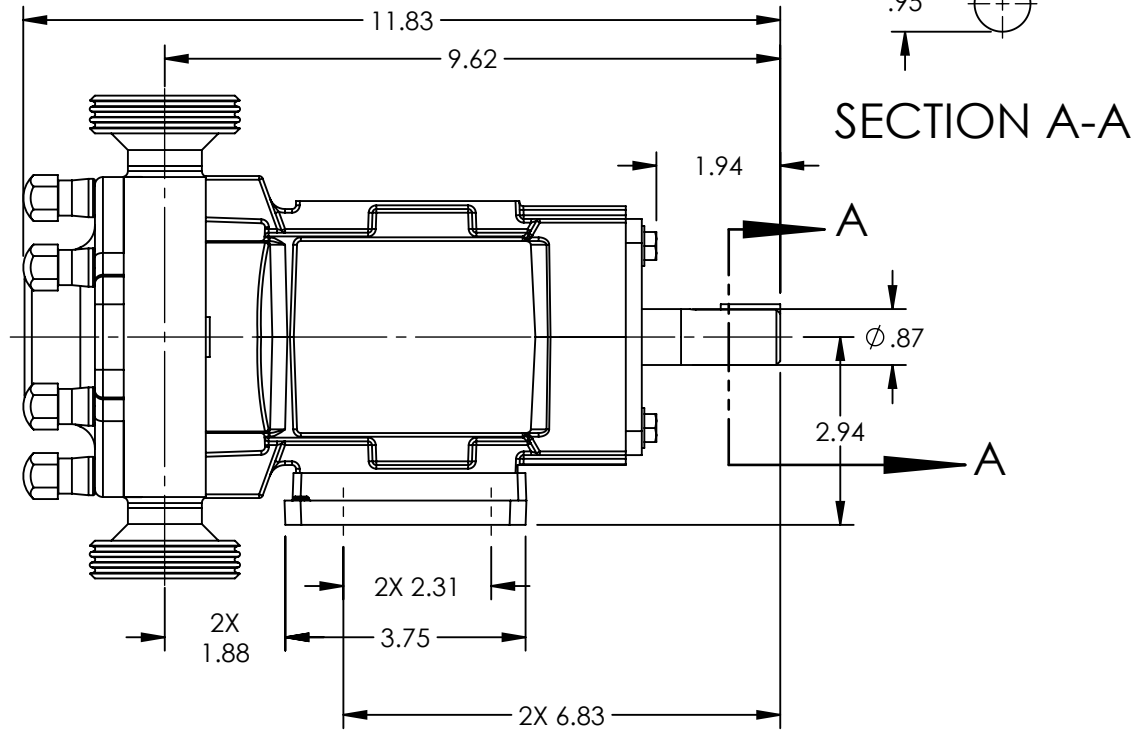
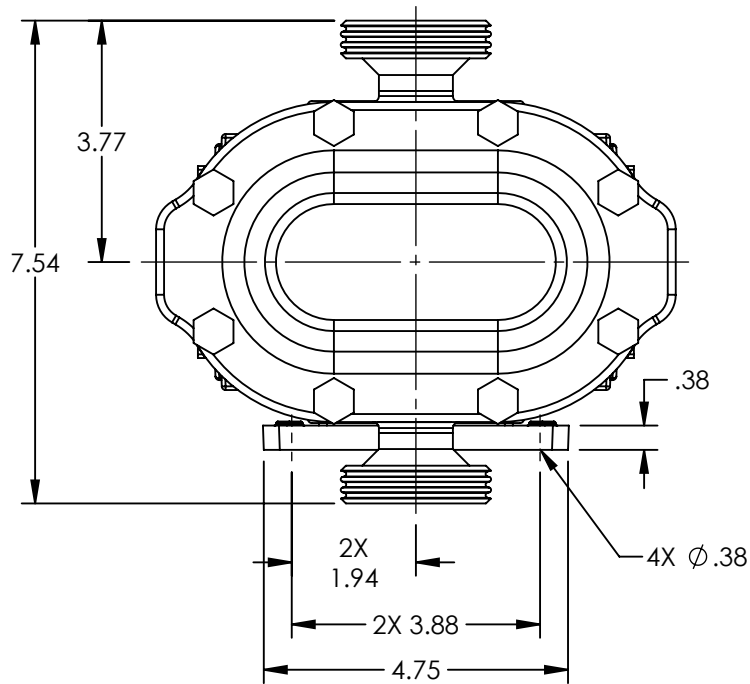
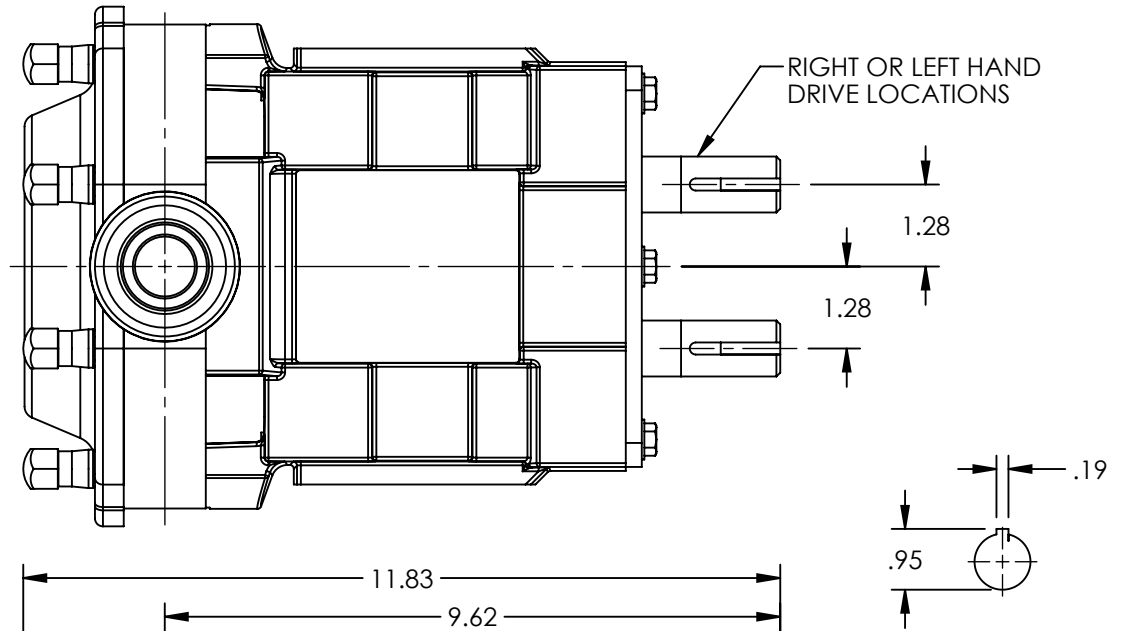


PUMP MODEL	TRA20-0150
ORIENTATION	VERTICAL
COVER	STANDARD
INLET	1.5" SMS
DISCHARGE	1.5" SMS
SPECIALS	NONE



NOTES:  
1. THIS IS NOT A CERTIFIED DRAWING. USE FOR GENERAL INSTALLATION ONLY.

STATE	Released	07/01/2020
DRAWN	cneff	5/7/2014
CHECKED	JDP	07/01/2020

DIMENSIONS ARE IN INCHES	
PROJECT:	
WAS:	



THIS DRAWING IS THE PROPERTY OF WRIGHTFLOW TECHNOLOGIES AND IS PROPRIETARY IN GENERAL AND DETAIL. IT SHALL NOT BE COPIED OR ITS CONTENTS REVEALED TO OUTSIDE PARTIES WITHOUT THE WRITTEN CONSENT OF WRIGHTFLOW TECHNOLOGIES

3D

DWG. NO. TRA20-0150-014

SHEET 1 OF 1

REV. B.1