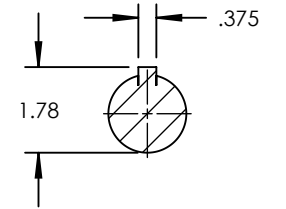
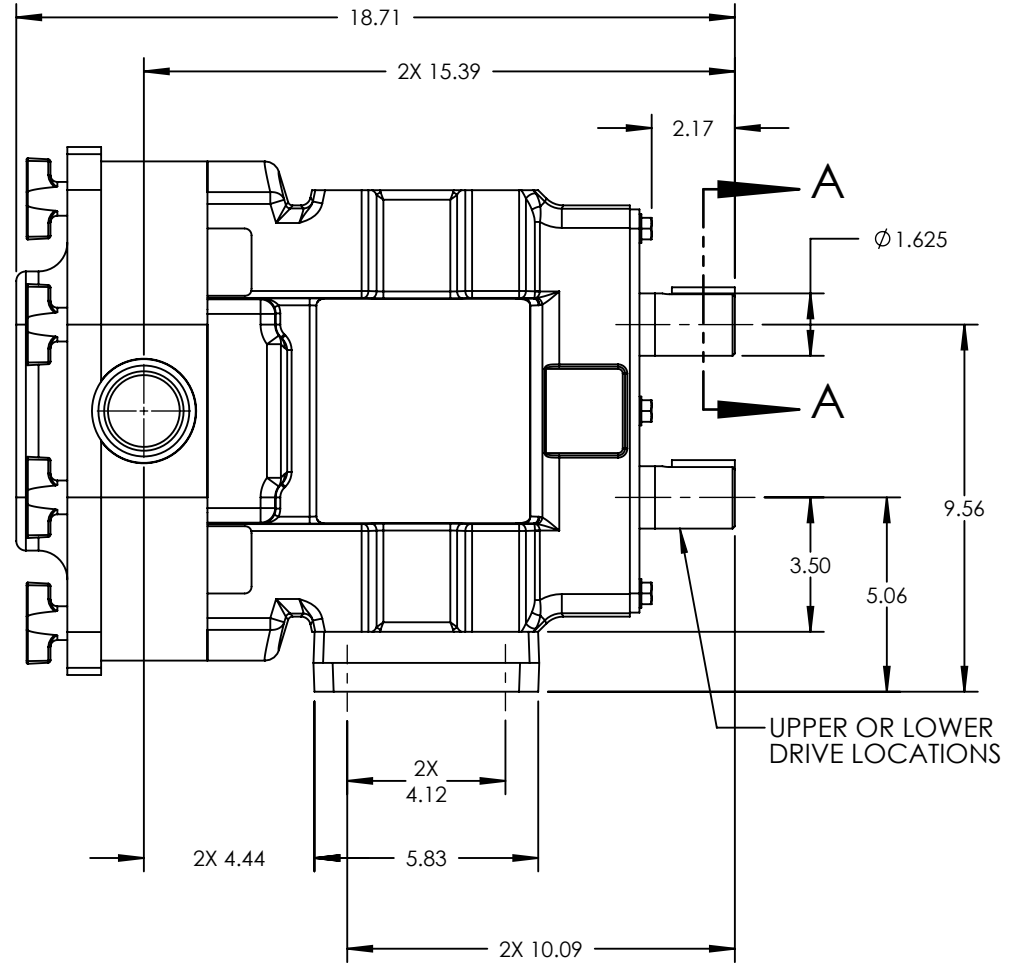
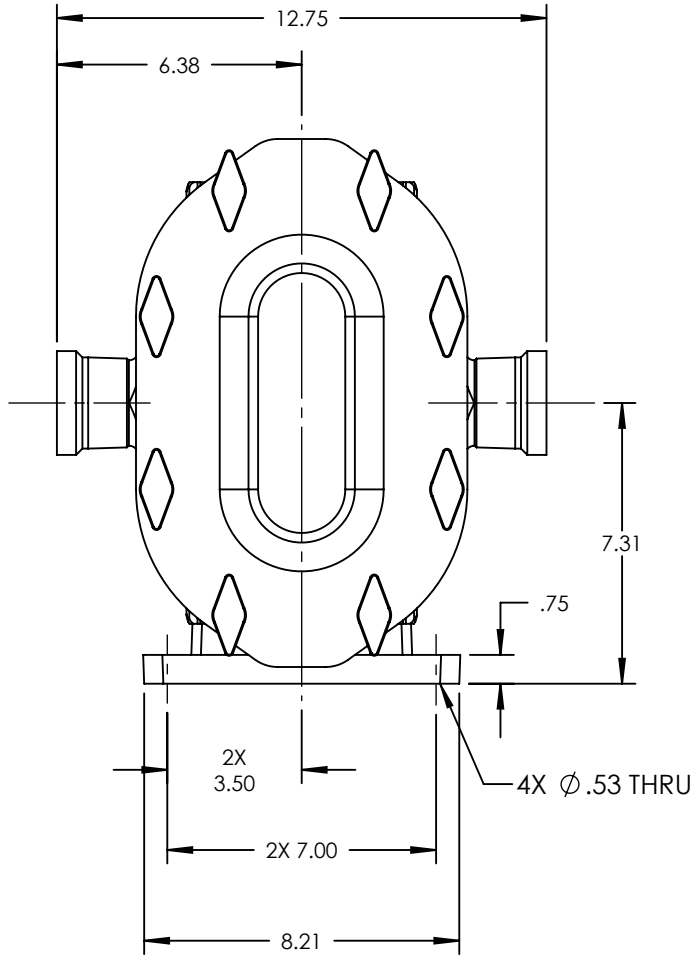


PUMP MODEL	TRA10-0450
ORIENTATION	HORIZONTAL
COVER	STANDARD
INLET	2.0" NPT (MALE)
DISCHARGE	2.0" NPT (MALE)
SPECIALS	NONE



VIEW A-A
SCALE 1 : 4



NOTES:

- THIS IS NOT A CERTIFIED DRAWING. USE FOR GENERAL INSTALLATION ONLY.

STATE	Released	11/05/2019
DRAWN	DJaramillo	11/4/2019
CHECKED	MEW	11/05/2019

DIMENSIONS ARE IN INCHES	
PROJECT:	
WAS:	



THIS DRAWING IS THE PROPERTY OF WRIGHTFLOW TECHNOLOGIES AND IS PROPRIETARY IN GENERAL AND DETAIL. IT SHALL NOT BE COPIED OR ITS CONTENTS REVEALED TO OUTSIDE PARTIES WITHOUT THE WRITTEN CONSENT OF WRIGHTFLOW TECHNOLOGIES

3D

DWG. NO. TRA10-0450-018

SHEET 1 OF 2

REV. A.0

UPPER OR LOWER DRIVE LOCATIONS

