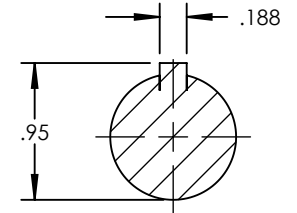
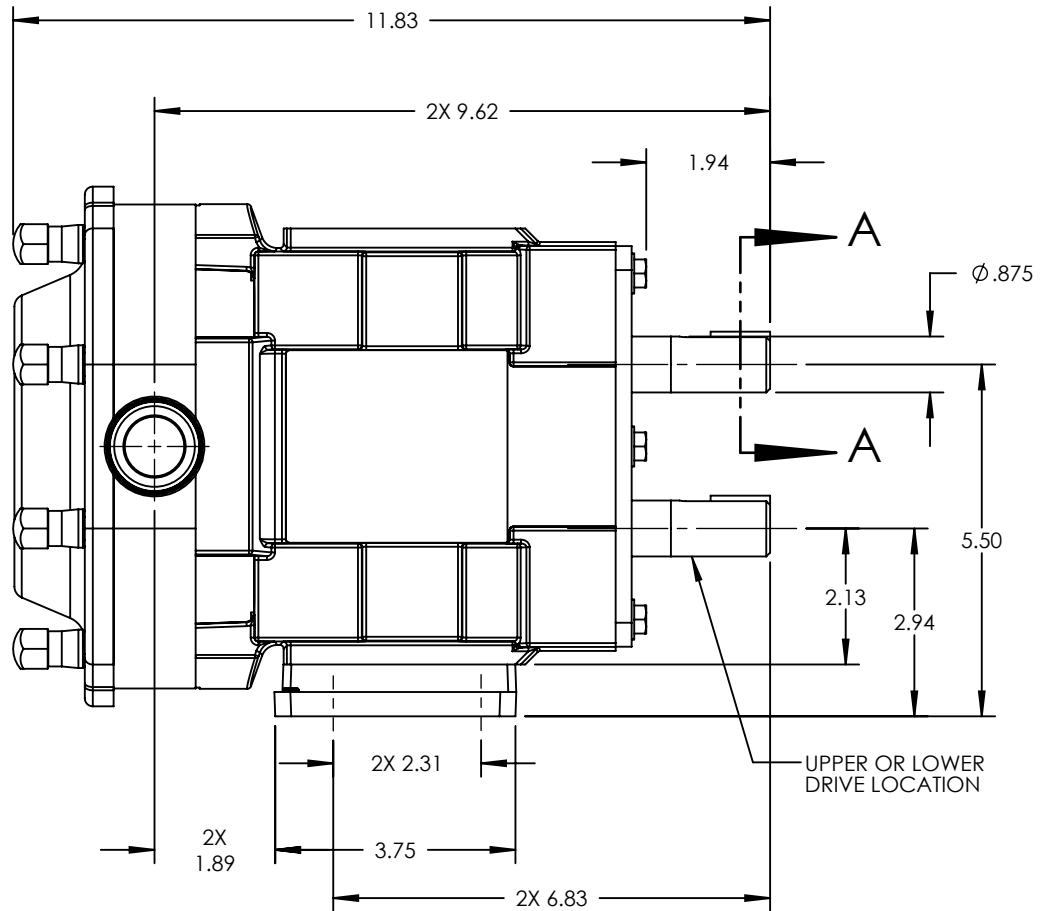
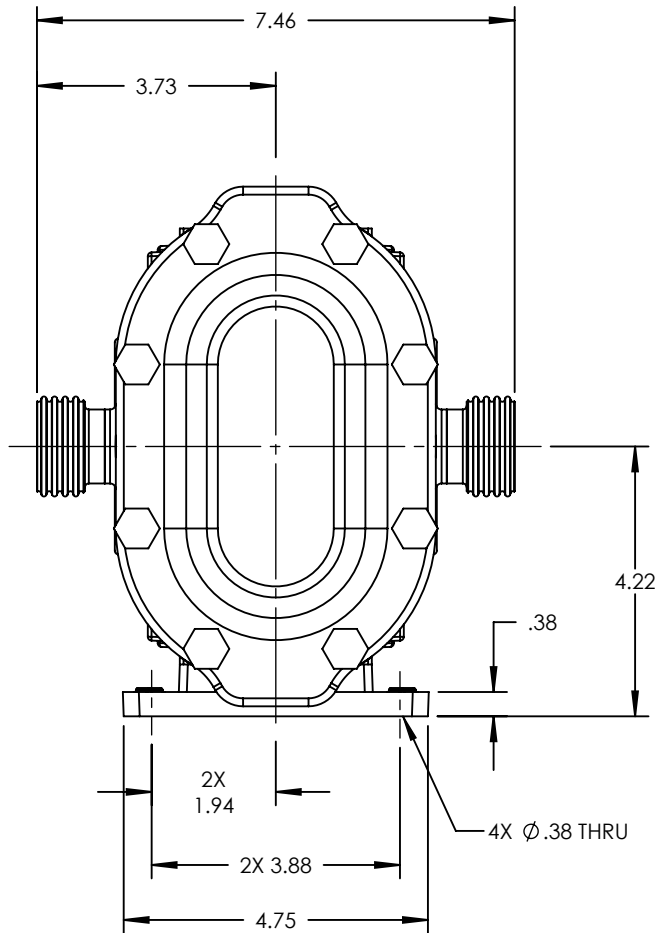


PUMP MODEL	TRA20-0060
ORIENTATION	HORIZONTAL
COVER TYPE	STANDARD
SUCTION	1.0" SMS
DISCHARGE	1.0" SMS
SPECIALS	NONE



SECTION A-A
SCALE 3 : 4



NOTES:

1. THIS IS NOT A CERTIFIED DRAWING. USE FOR GENERAL INSTALLATION ONLY.

STATE	Released	06/05/2014
DRAWN	cneff	6/2/2014
CHECKED	JAG	06/04/2014

DIMENSIONS ARE IN INCHES	
PROJECT:	
WAS:	



THIS DRAWING IS THE PROPERTY OF WRIGHTFLOW TECHNOLOGIES AND IS PROPRIETARY IN GENERAL AND DETAIL. IT SHALL NOT BE COPIED OR ITS CONTENTS REVEALED TO OUTSIDE PARTIES WITHOUT THE WRITTEN CONSENT OF WRIGHTFLOW TECHNOLOGIES

3D

DWG. NO.	TRA20-0060-014
SHEET 1 OF 2	

REV.	A.0
------	-----

