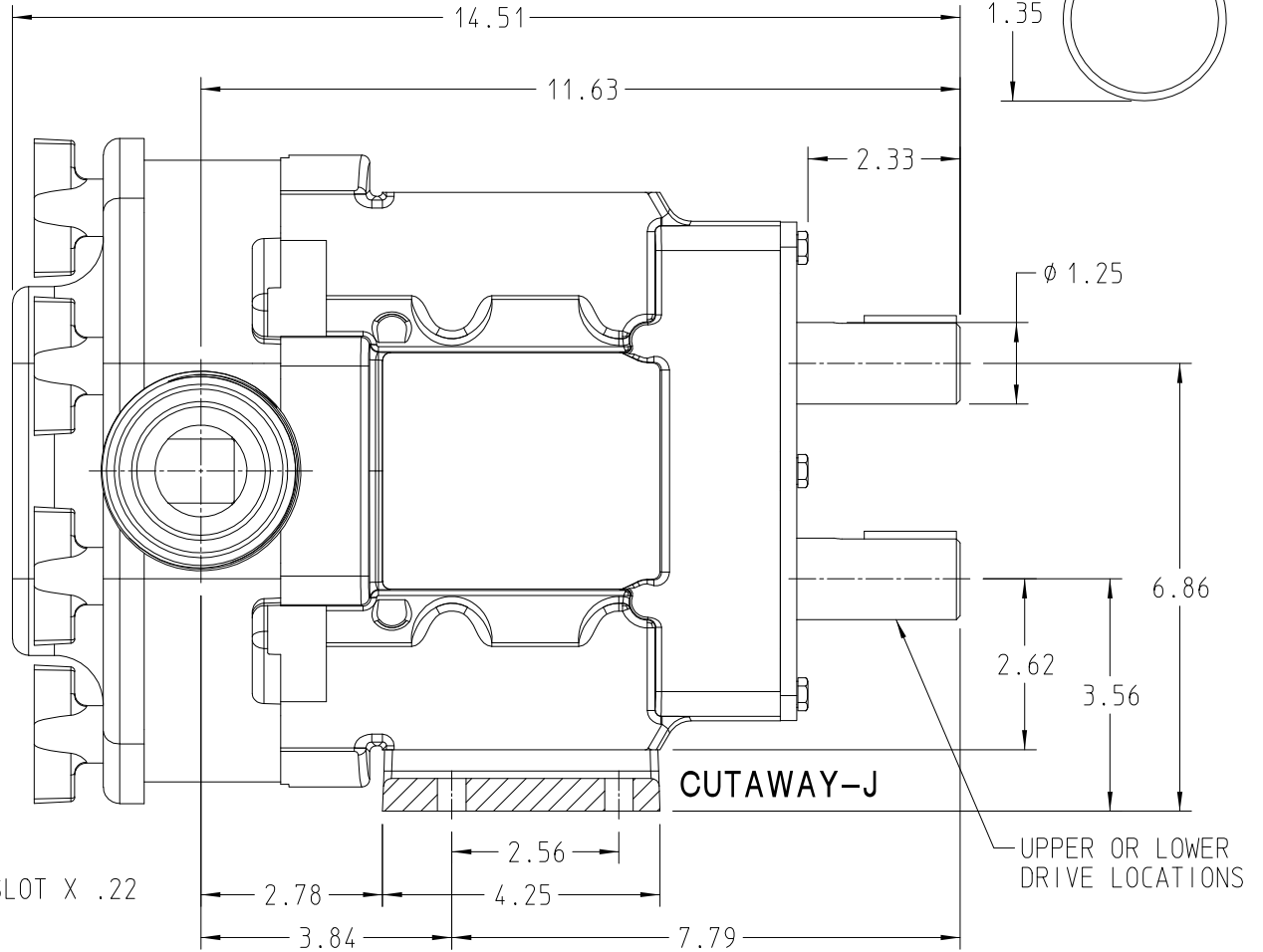
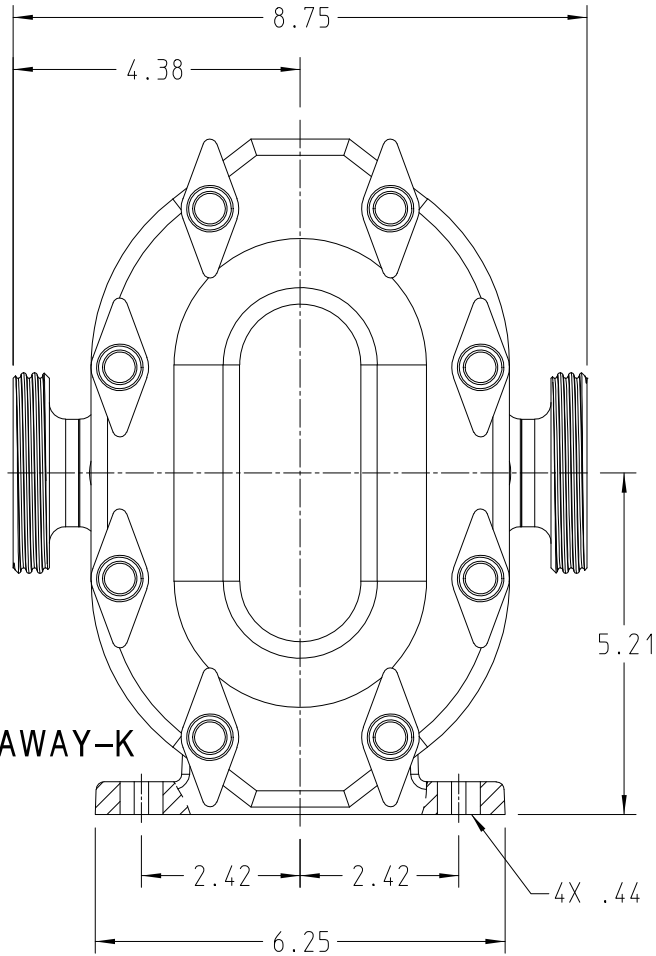


GENERAL ARRANGEMENT DETAILS

PUMP MODEL	TRA10-0300	INLET	2.00 INCH DIN 11851
ORIENTATION	HORIZONTAL	OUTLET	2.00 INCH DIN 11851
COVER TYPE	STANDARD	SPECIALS	NONE



THIS IS NOT A CERTIFIED DRAWING, USE FOR GENERAL INSTALLATION ONLY.
 PUMP SHOWN WITH 2.00 INCH SMS CONNECTIONS. FOR OTHER CONNECTIONS, CONTACT FACTORY.

USE & RELATED INFORMATION
 Created from OSDM

THIS DRAWING IS THE PROPERTY OF
 WRIGHT PUMP AND IS PROPRIETARY
 IN GENERAL AND DETAIL. IT SHALL NOT
 BE COPIED OR ITS CONTENTS REVEALED
 TO OUTSIDE PARTIES WITHOUT WRITTEN
 CONSENT OF WRIGHT PUMP

DRAWN	MIHM	23 NOV 2011
CHECKED	CJM	23 NOV 2011
APPROVED		
SCALE 1 = 2		INCH DIM.

wrightflow
 TECHNOLOGIES

A Unit of
DEX
 CORPORATION
 Muskego, WI 53150
 U.S.A.

ASSEMBLY OF TRA10 MODEL 0300

DRAWING
 NUMBER TRA10-0300-018

THIRD ANGLE
 PROJECTION

REV B
 23 NOV 2011

