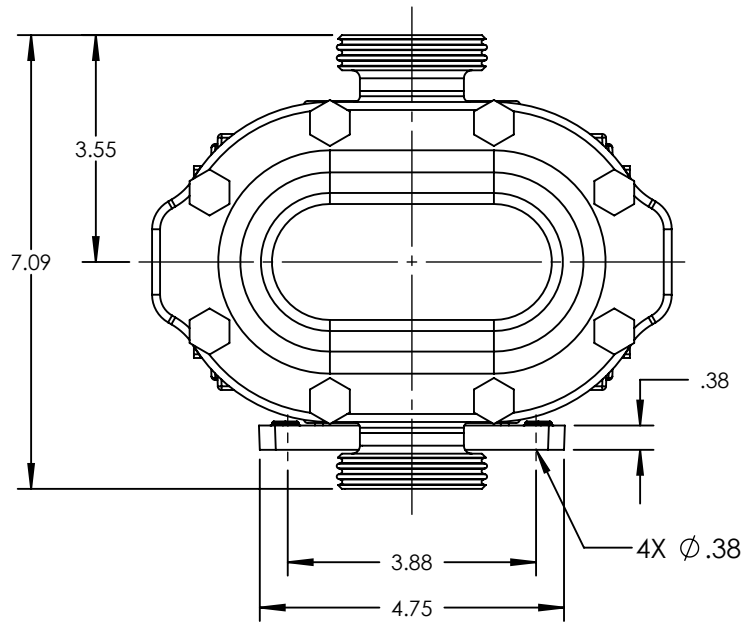
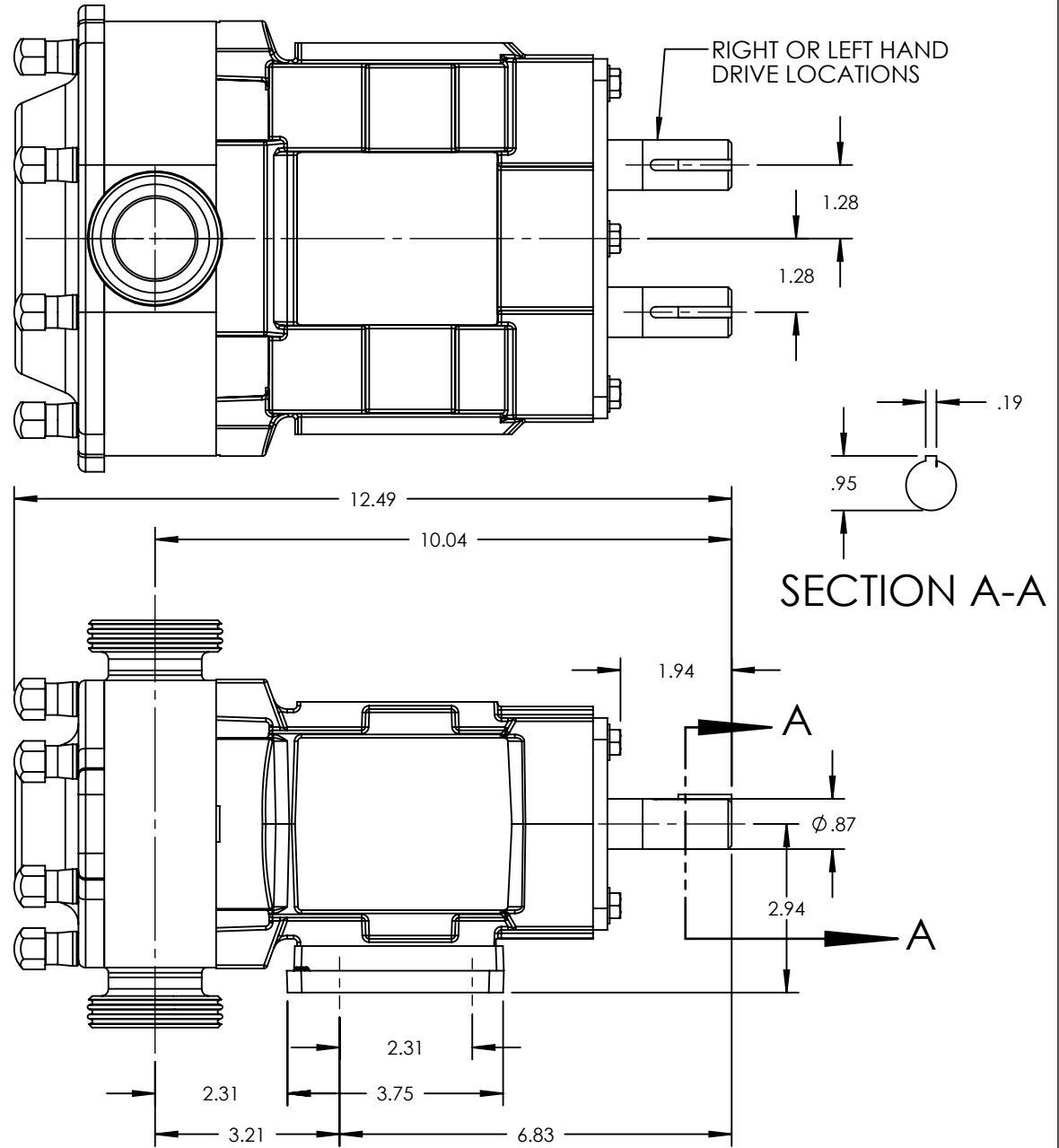


PUMP MODEL	TRA20-0180
ORIENTATION	VERTICAL
COVER	STANDARD
INLET	1.5" SMS
DISCHARGE	1.5" SMS
SPECIALS	NONE



NOTES:
 1. THIS IS NOT A CERTIFIED DRAWING. USE FOR GENERAL INSTALLATION ONLY.

STATE	Released	12/10/2013
DRAWN	cneff	12/6/2013
CHECKED	MPS	12/09/2013

DIMENSIONS ARE IN INCHES
 PROJECT:
 WAS:



THIS DRAWING IS THE PROPERTY OF WRIGHTFLOW TECHNOLOGIES AND IS PROPRIETARY IN GENERAL AND DETAIL. IT SHALL NOT BE COPIED OR ITS CONTENTS REVEALED TO OUTSIDE PARTIES WITHOUT THE WRITTEN CONSENT OF WRIGHTFLOW TECHNOLOGIES

3D

DWG. NO. TRA20-0180-015
 SHEET 1 OF 2

REV. B.0
 12/6/2013

