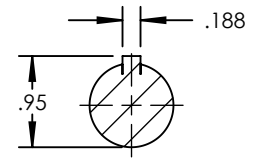
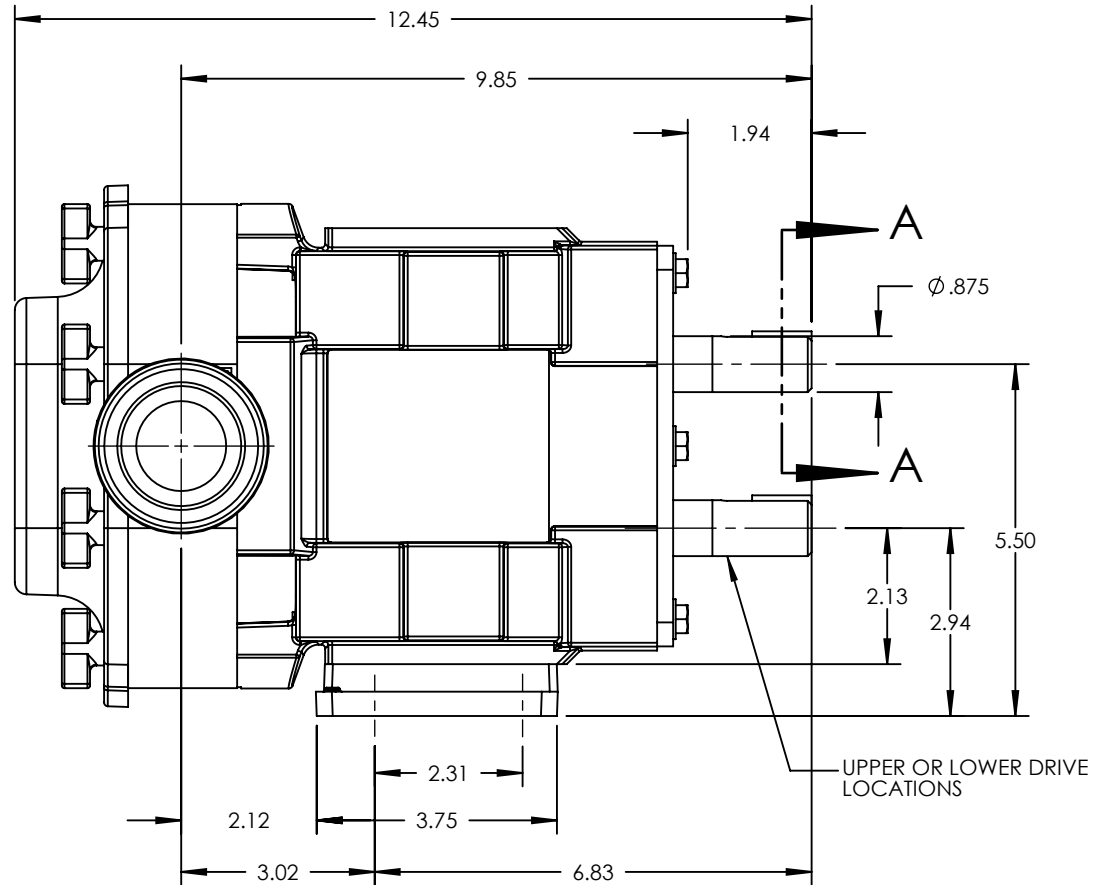
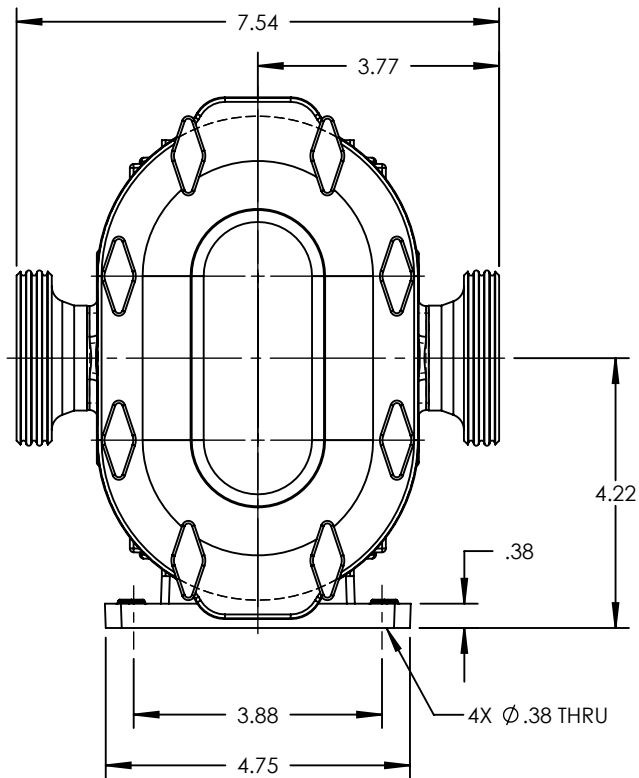


PUMP MODEL	TRA10-0180
ORIENTATION	HORIZONTAL
COVER	STANDARD
INLET	2.0" SMS
DISCHARGE	2.0" SMS
SPECIALS	NONE



SECTION A-A
SCALE 1 : 2



NOTES:

1. THIS IS NOT A CERTIFIED DRAWING. USE FOR GENERAL INSTALLATION ONLY.

STATE	Released	03/21/2018
DRAWN	jgerbig	3/21/2018
CHECKED	JAG	03/21/2018

DIMENSIONS ARE IN INCHES	
PROJECT:	
WAS:	



THIS DRAWING IS THE PROPERTY OF WRIGHTFLOW TECHNOLOGIES AND IS PROPRIETARY IN GENERAL AND DETAIL. IT SHALL NOT BE COPIED OR ITS CONTENTS REVEALED TO OUTSIDE PARTIES WITHOUT THE WRITTEN CONSENT OF WRIGHTFLOW TECHNOLOGIES

3D

DWG. NO. TRA10-0180-035

SHEET 1 OF 2

REV. A.0

