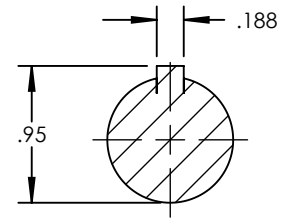
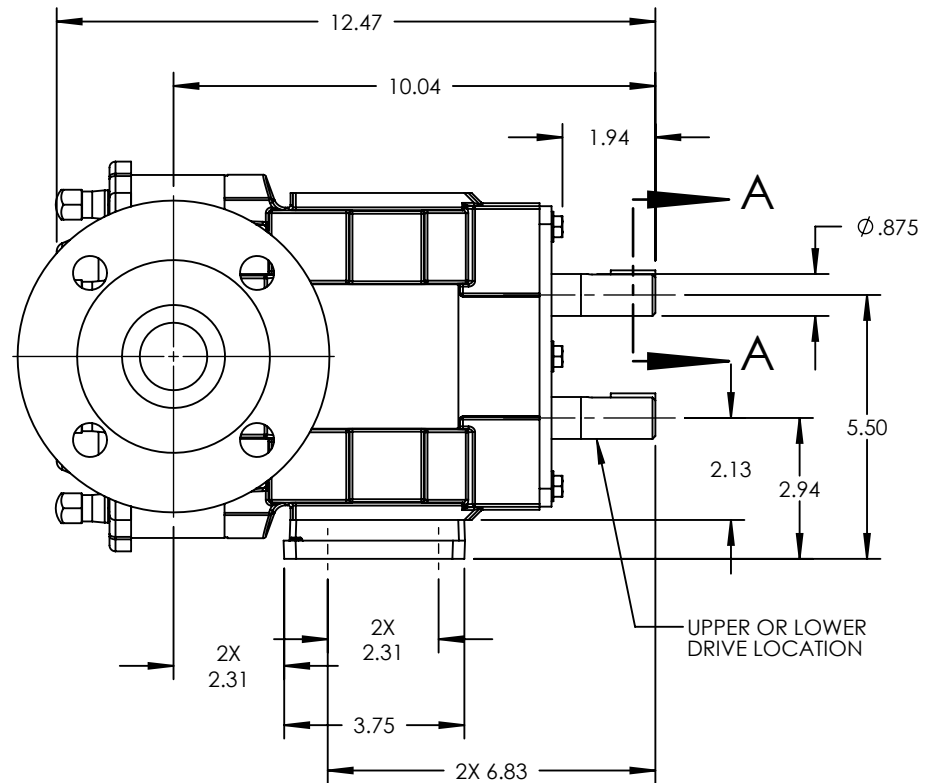
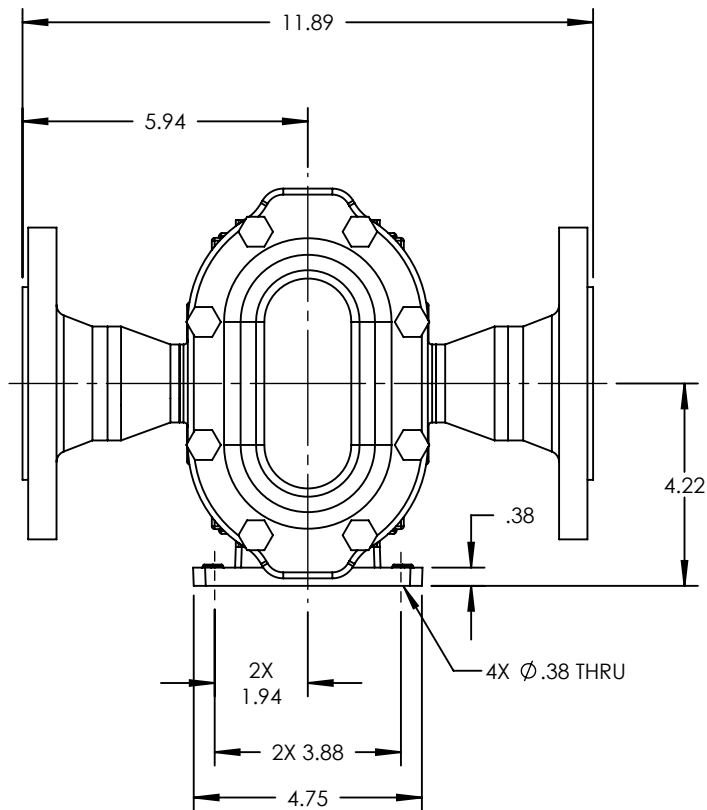


PUMP MODEL	TRA20-0180
ORIENTATION	HORIZONTAL
COVER TYPE	STANDARD
SUCTION	2.0" DIN 2633
DISCHARGE	2.0" DIN 2633
SPECIALS	NONE



SECTION A-A  
SCALE 3 : 4



NOTES:

1. THIS IS NOT A CERTIFIED DRAWING. USE FOR GENERAL INSTALLATION ONLY.

STATE	Preliminary	04/04/2014	DIMENSIONS ARE IN INCHES		<small>Wrightflow Technologies, A Unit of IDEX Corporation Cedar Falls, IA 50613 U.S.A. Eastborne, East Sussex, BN23 6PT UK</small>	<small>THIS DRAWING IS THE PROPERTY OF WRIGHTFLOW TECHNOLOGIES AND IS PROPRIETARY IN GENERAL AND DETAIL. IT SHALL NOT BE COPIED OR ITS CONTENTS REVEALED TO OUTSIDE PARTIES WITHOUT THE WRITTEN CONSENT OF WRIGHTFLOW TECHNOLOGIES</small>	<b>3D</b>	DWG. NO.	SHEET 1 OF 2	REV. A.0
DRAWN	cneff	4/3/2014						PROJECT:	TRA20-0180-018	
CHECKED	JAG	04/04/2014	WAS:							

