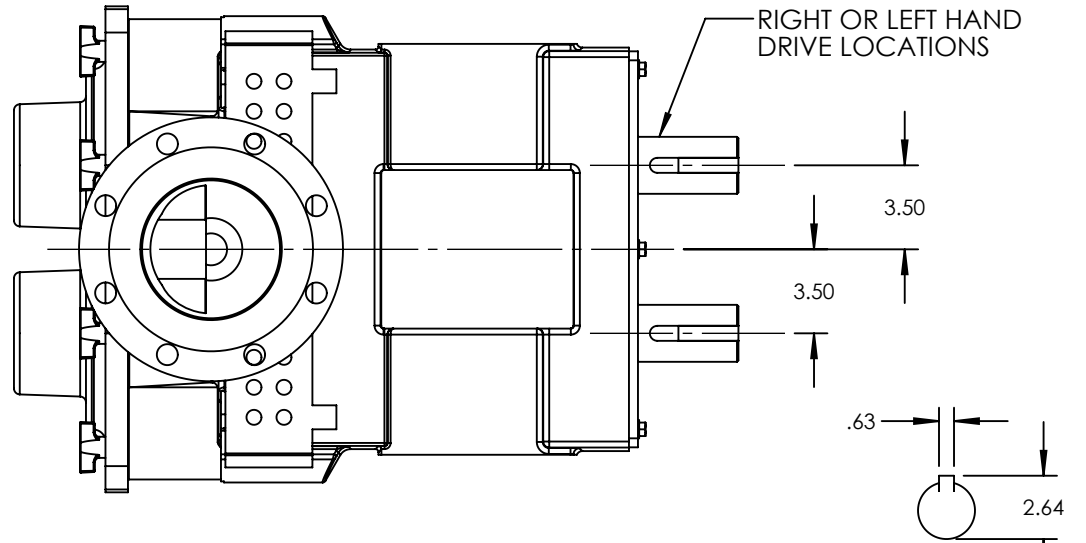
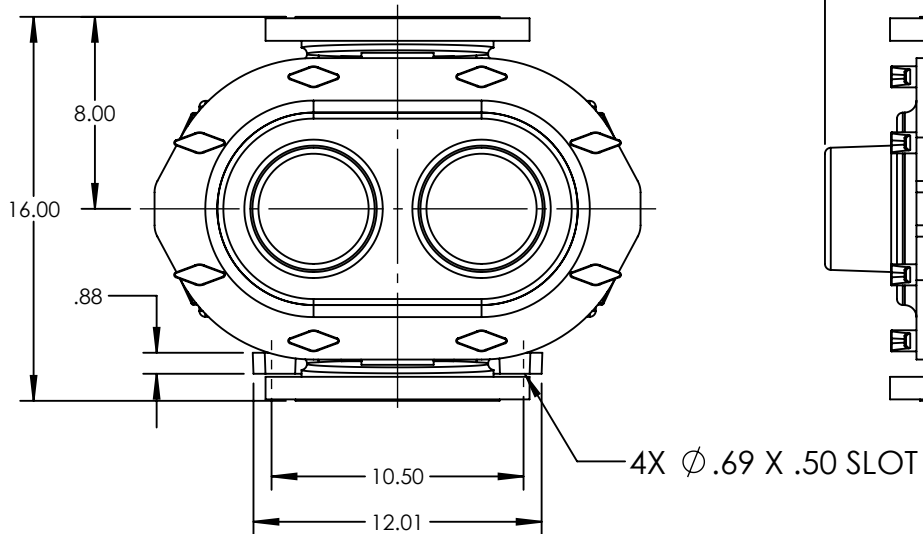
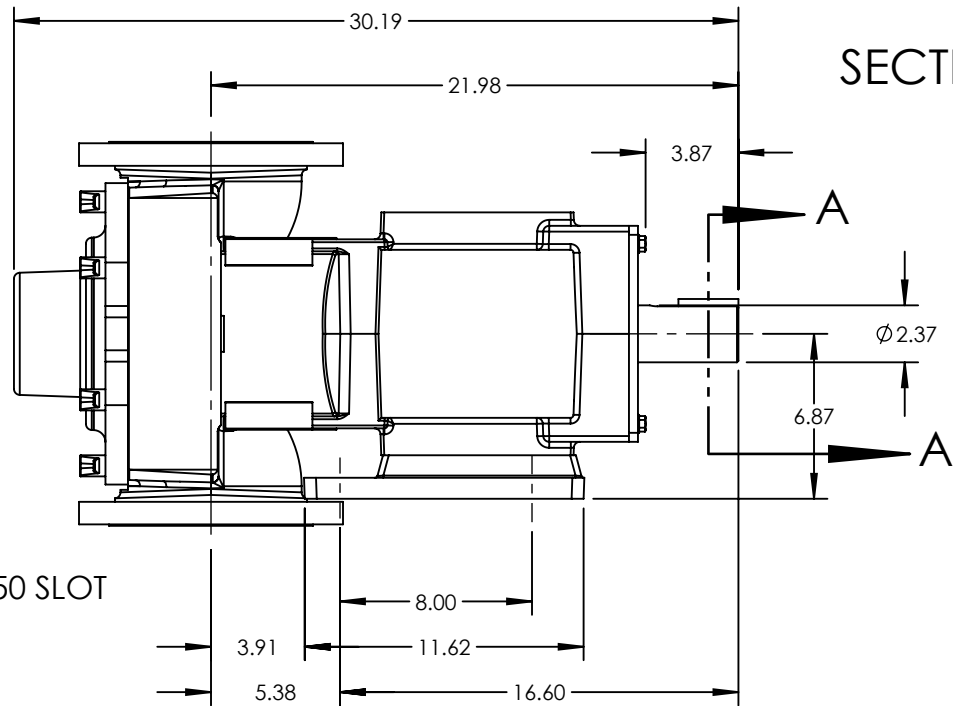


PUMP MODEL	TRA10-3200
ORIENTATION	VERTICAL
COVER	STANDARD
INLET	6.0" ANSI CLASS 150 RAISED FACE FLANGE
DISCHARGE	6.0" ANSI CLASS 150 RAISED FACE FLANGE
SPECIALS	NONE



SECTION A-A



NOTES:

1. THIS IS NOT A CERTIFIED DRAWING. USE FOR GENERAL INSTALLATION ONLY.

STATE	Released	05/23/2024
DRAWN	cneff	10/24/2013
CHECKED	MEW	05/02/2024

DIMENSIONS ARE IN INCHES	
PROJECT:	
WAS:	



VIKING PUMP, INC.
A Unit of IDEX Corporation
Cedar Falls, IA 50613 U.S.A.
VIKINGPUMP.COM

THIS DRAWING IS THE PROPERTY OF VIKING PUMP, INC. AND IS PROPRIETARY IN GENERAL AND DETAIL. IT SHALL NOT BE COPIED OR ITS CONTENTS REVEALED TO OUTSIDE PARTIES WITHOUT THE WRITTEN CONSENT OF VIKING PUMP, INC.

3D

DWG. NO. TRA10-3200-004
SHEET 1 OF 1

REV. B.0

05/23/2024