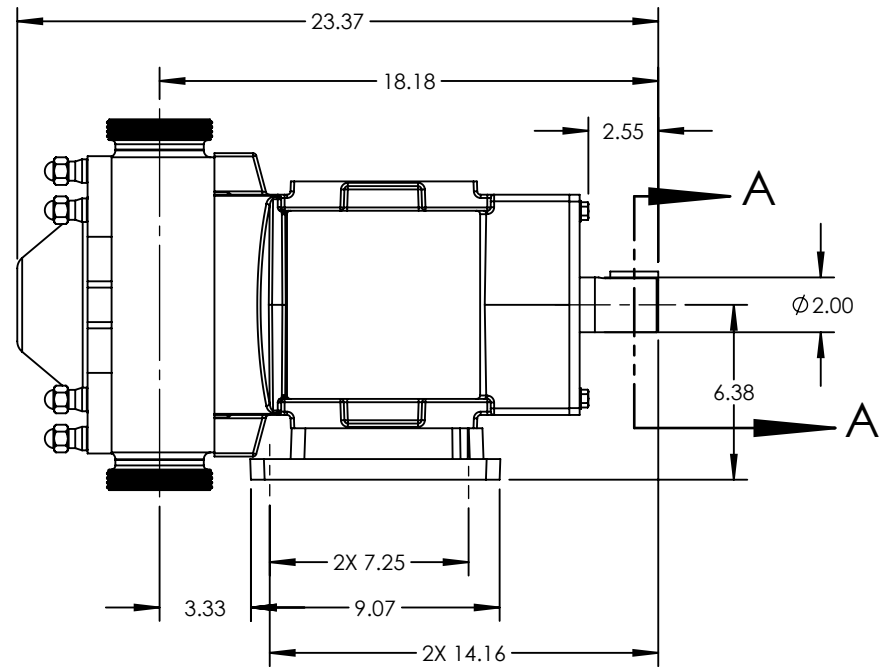
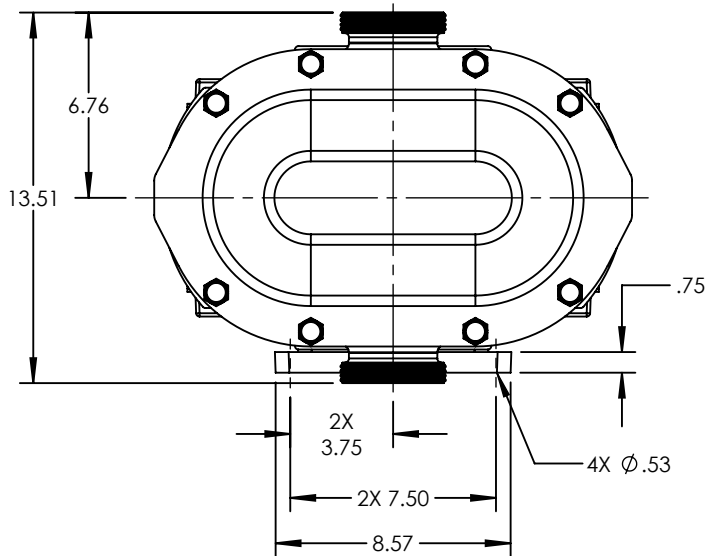
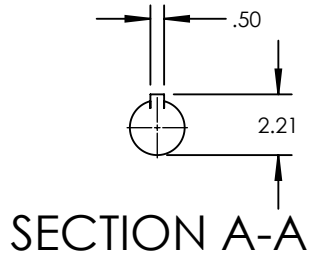
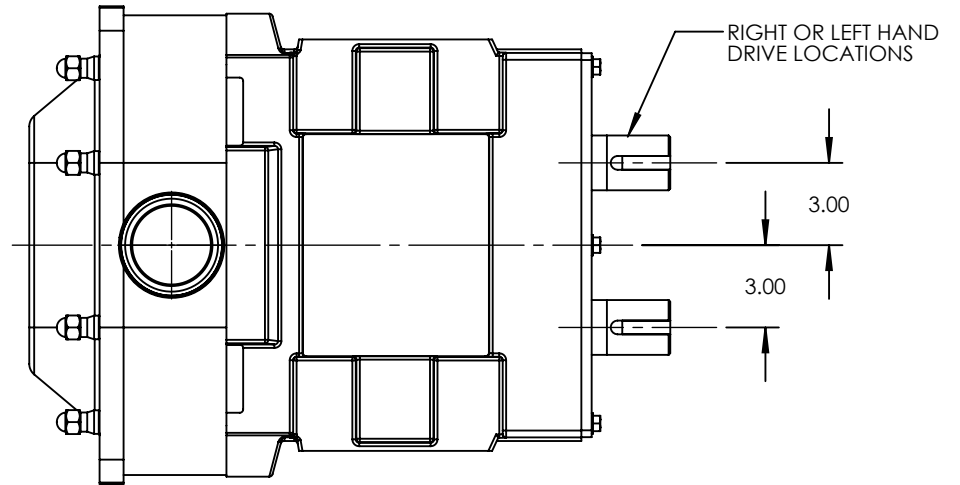


PUMP MODEL	TRA20-1800
ORIENTATION	VERTICAL
COVER	STANDARD
INLET	3.0" SMS
DISCHARGE	3.0" SMS
SPECIALS	NONE



NOTES:
 1. THIS IS NOT A CERTIFIED DRAWING. USE FOR GENERAL INSTALLATION ONLY.

STATE	Released	02/15/2024
DRAWN	jgerbig	8/14/2017
CHECKED	MEW	02/15/2024

DIMENSIONS ARE IN INCHES
 PROJECT:
 WAS:



VIKING PUMP, INC.
 A Unit of IDEX Corporation
 Cedar Falls, IA 50613 U.S.A.
 VIKINGPUMP.COM

THIS DRAWING IS THE PROPERTY OF VIKING PUMP, INC. AND IS PROPRIETARY IN GENERAL AND DETAIL. IT SHALL NOT BE COPIED OR ITS CONTENTS REVEALED TO OUTSIDE PARTIES WITHOUT THE WRITTEN CONSENT OF VIKING PUMP, INC.

3D

DWG. NO. TRA20-1800-021
 SHEET 1 OF 1

REV. B.0
 02/15/2024