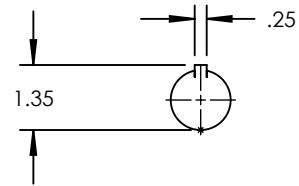
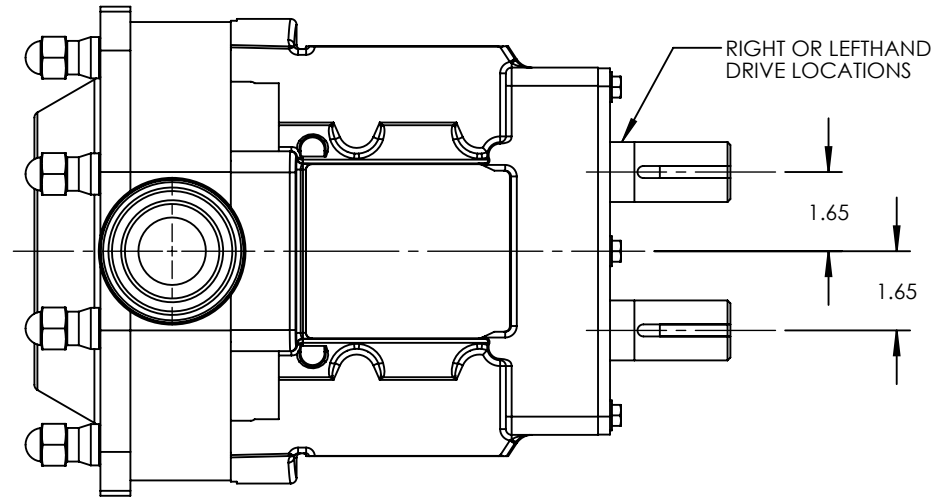
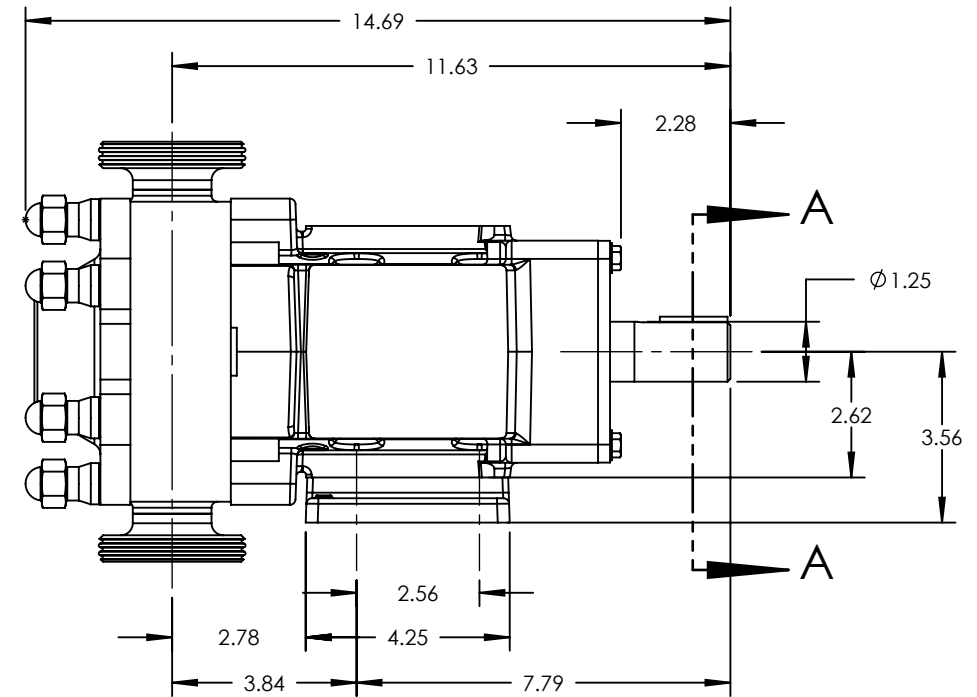
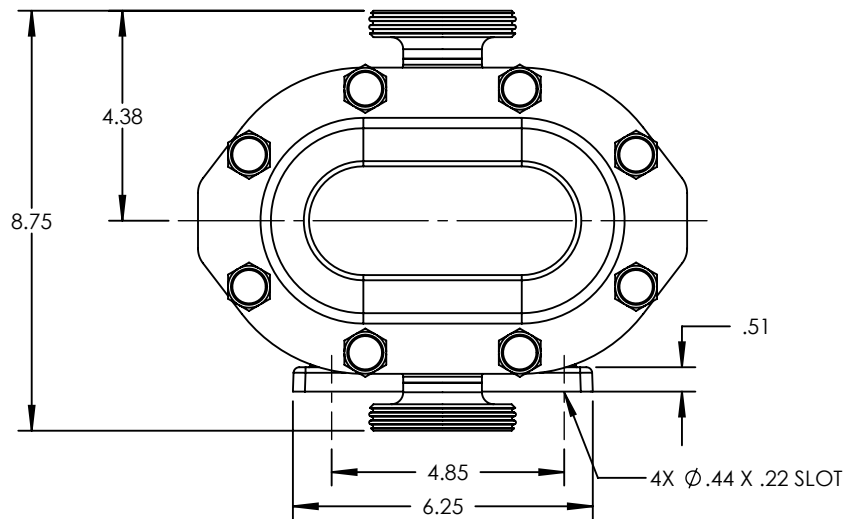


PUMP MODEL	TRA20-0300
ORIENTATION	VERTICAL
COVER TYPE	STANDARD
INLET	2.0" DIN11851
DISCHARGE	2.0" DIN 11851
SPECIALS	NONE



SECTION A-A



NOTES:

- THIS IS NOT A CERTIFIED DRAWING. USE FOR GENERAL INSTALLATION ONLY.

STATE	Released	09/04/2020	DIMENSIONS ARE IN INCHES		<small>Wrightflow Technologies, A Unit of IDEX Corporation Cedar Falls, IA 50613 U.S.A. Eastborne, East Sussex, BN23 6PT UK</small>	<small>THIS DRAWING IS THE PROPERTY OF WRIGHTFLOW TECHNOLOGIES AND IS PROPRIETARY IN GENERAL AND DETAIL. IT SHALL NOT BE COPIED OR ITS CONTENTS REVEALED TO OUTSIDE PARTIES WITHOUT THE WRITTEN CONSENT OF WRIGHTFLOW TECHNOLOGIES</small>	<b>3D</b>	DWG. NO. <b>TRA20-0300-034</b>	SHEET 1 OF 2	REV. A.0
DRAWN	MWerning	9/4/2020								PROJECT:
CHECKED	BLH	09/04/2020	WAS:							

