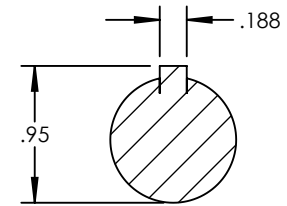
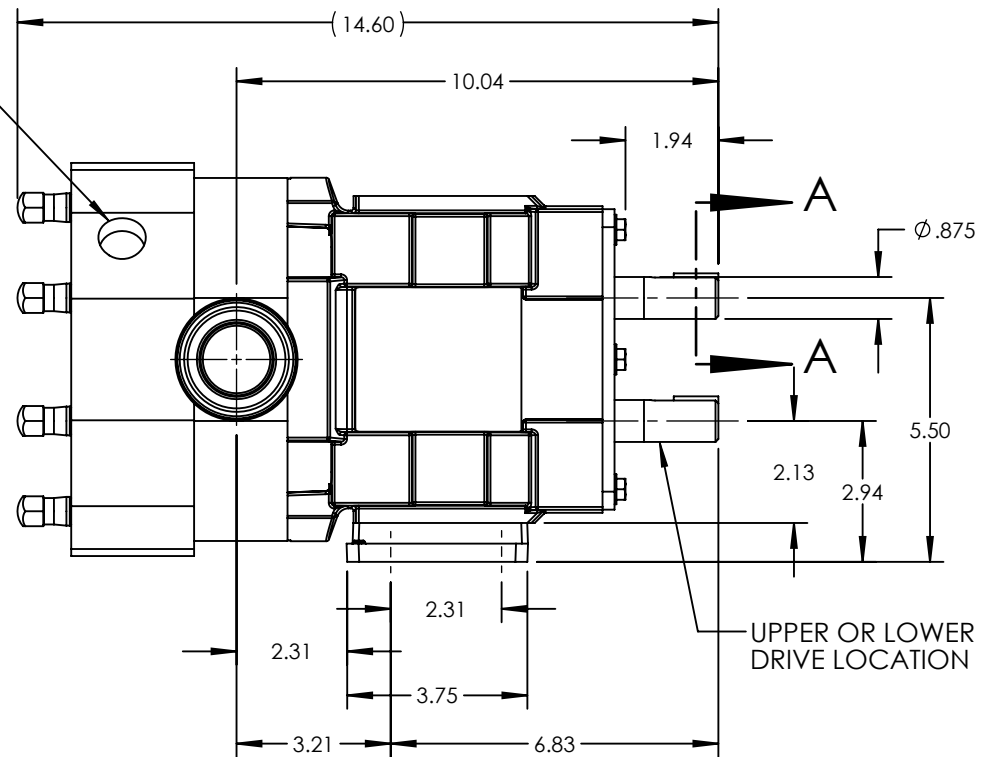
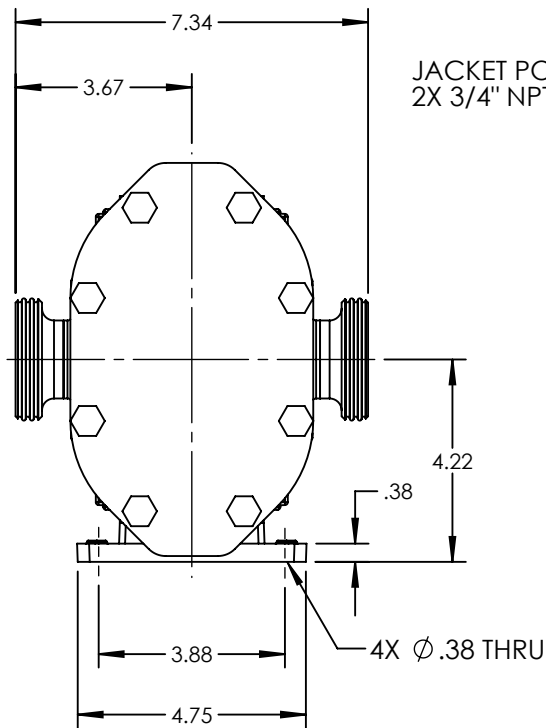


PUMP MODEL	TRA20-0180
ORIENTATION	HORIZONTAL
COVER TYPE	JACKETED
SUCTION	1.5" DIN 11851
DISCHARGE	1.5" DIN 11851
SPECIALS	NONE



SECTION A-A
SCALE 3 : 4



NOTES:

1. THIS IS NOT A CERTIFIED DRAWING. USE FOR GENERAL INSTALLATION ONLY.

STATE	Released	06/22/2022	DIMENSIONS ARE IN INCHES
DRAWN	cmihm	11/15/2012	
CHECKED	CJM	06/22/2022	
PROJECT:			WAS:
WAS:			



VIKING PUMP, INC.
A Unit of IDEX Corporation
Cedar Falls, IA 50613 U.S.A.
VIKINGPUMP.COM

THIS DRAWING IS THE PROPERTY OF VIKING PUMP, INC. AND IS PROPRIETARY IN GENERAL AND DETAIL. IT SHALL NOT BE COPIED OR ITS CONTENTS REVEALED TO OUTSIDE PARTIES WITHOUT THE WRITTEN CONSENT OF VIKING PUMP, INC.

3D

DWG. NO. TRA20-0180-013
SHEET 1 OF 1

REV. A.1
06/22/2022