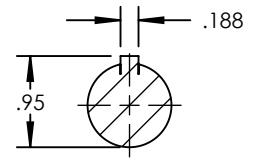
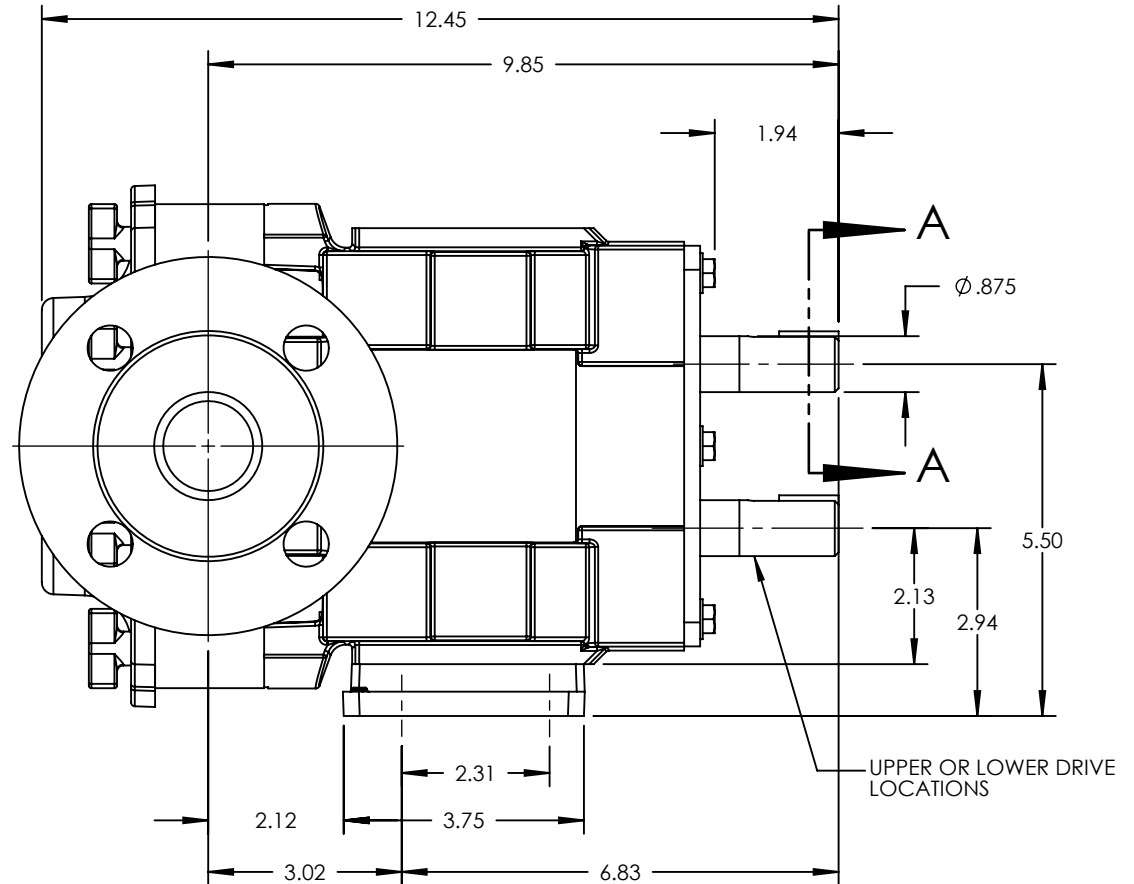
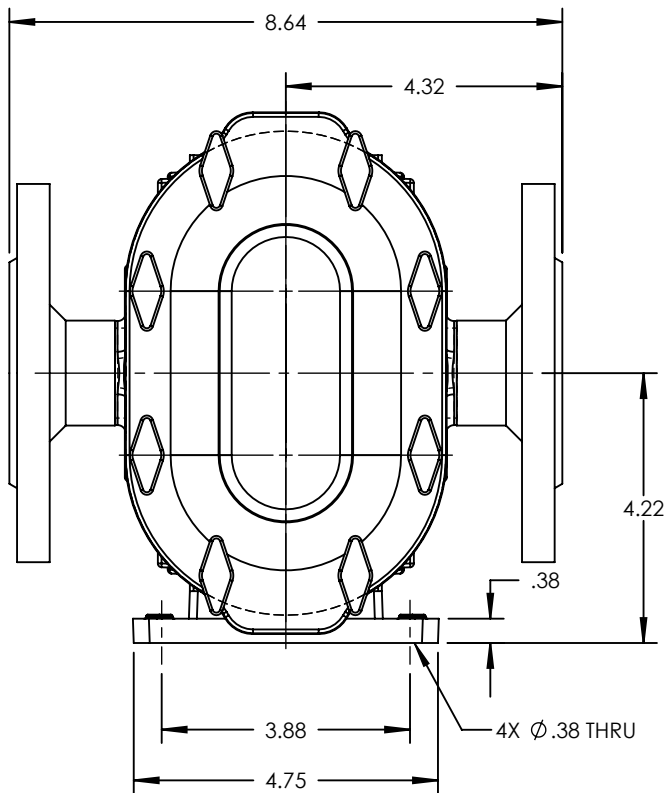


PUMP MODEL	TRA10-0180
ORIENTATION	HORIZONTAL
COVER	STANDARD
INLET	1.5" DIN 2633
DISCHARGE	1.5" DIN 2633
SPECIALS	NONE



SECTION A-A
SCALE 1 : 2



NOTES:

- THIS IS NOT A CERTIFIED DRAWING. USE FOR GENERAL INSTALLATION ONLY.

STATE	Released	03/27/2018	DIMENSIONS ARE IN INCHES		Wrightflow Technologies, A Unit of IDEX Corporation Cedar Falls, IA 50613 U.S.A. Eastborne, East Sussex, BN23 6PT UK	THIS DRAWING IS THE PROPERTY OF WRIGHTFLOW TECHNOLOGIES AND IS PROPRIETARY IN GENERAL AND DETAIL. IT SHALL NOT BE COPIED OR ITS CONTENTS REVEALED TO OUTSIDE PARTIES WITHOUT THE WRITTEN CONSENT OF WRIGHTFLOW TECHNOLOGIES	3D	DWG. NO. TRA10-0180-034	SHEET 1 OF 2	REV. B.0
DRAWN	jgerbig	3/29/2017								
CHECKED	JAG	03/27/2018	WAS:							

