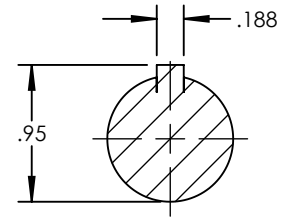
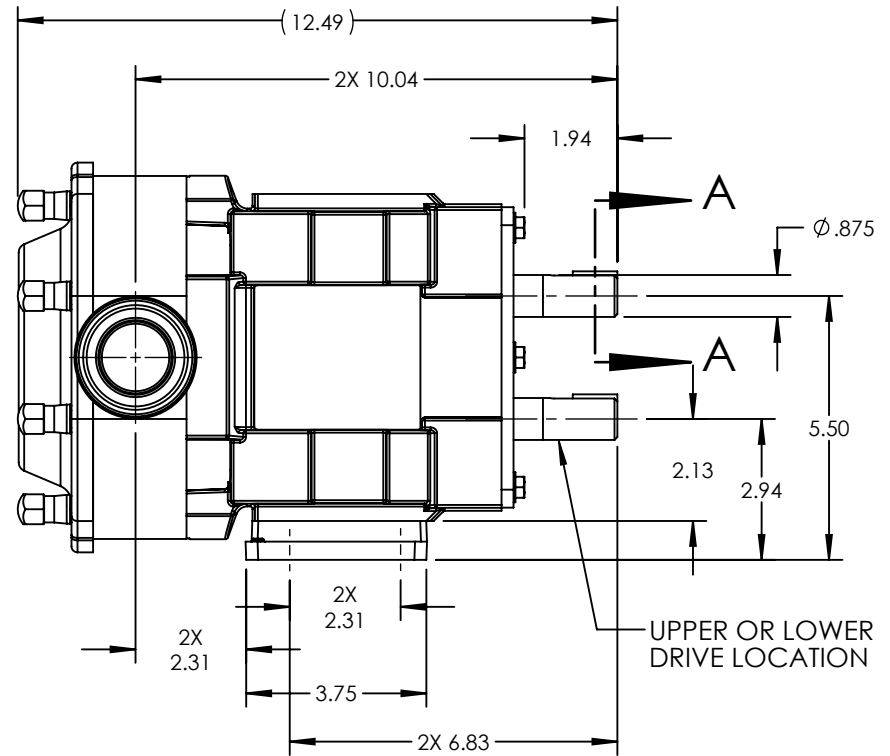
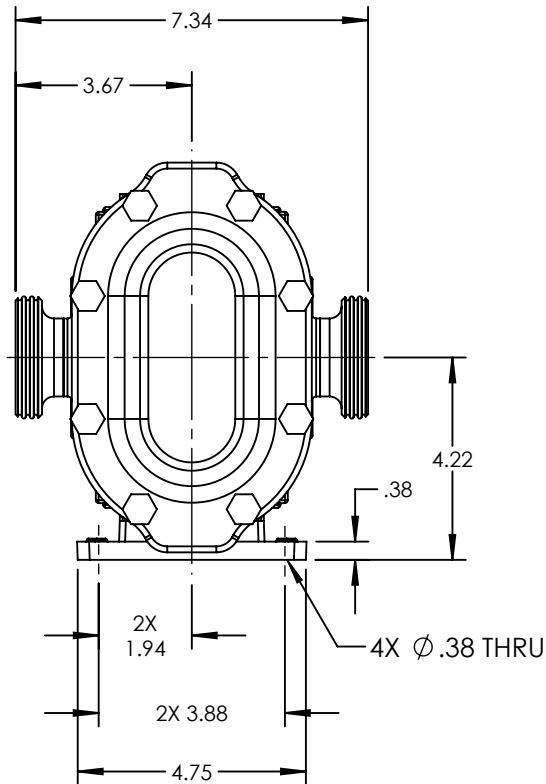


|             |                |
|-------------|----------------|
| PUMP MODEL  | TRA20-0180     |
| ORIENTATION | HORIZONTAL     |
| COVER TYPE  | STANDARD       |
| SUCTION     | 1.5" DIN 11851 |
| DISCHARGE   | 1.5" DIN 11851 |
| SPECIALS    | NONE           |



SECTION A-A  
SCALE 3 : 4



NOTES:

1. THIS IS NOT A CERTIFIED DRAWING. USE FOR GENERAL INSTALLATION ONLY.

|         |          |            |
|---------|----------|------------|
| STATE   | Released | 06/22/2022 |
| DRAWN   | cneff    | 4/22/2014  |
| CHECKED | CJM      | 06/22/2022 |

DIMENSIONS ARE IN INCHES  
PROJECT:  
WAS:



VIKING PUMP, INC.  
A Unit of IDEX Corporation  
Cedar Falls, IA 50613 U.S.A.  
VIKINGPUMP.COM

THIS DRAWING IS THE PROPERTY OF VIKING PUMP, INC. AND IS PROPRIETARY IN GENERAL AND DETAIL. IT SHALL NOT BE COPIED OR ITS CONTENTS REVEALED TO OUTSIDE PARTIES WITHOUT THE WRITTEN CONSENT OF VIKING PUMP, INC.

3D

DWG. NO. TRA20-0180-019  
SHEET 1 OF 1

REV. A.1  
06/22/2022