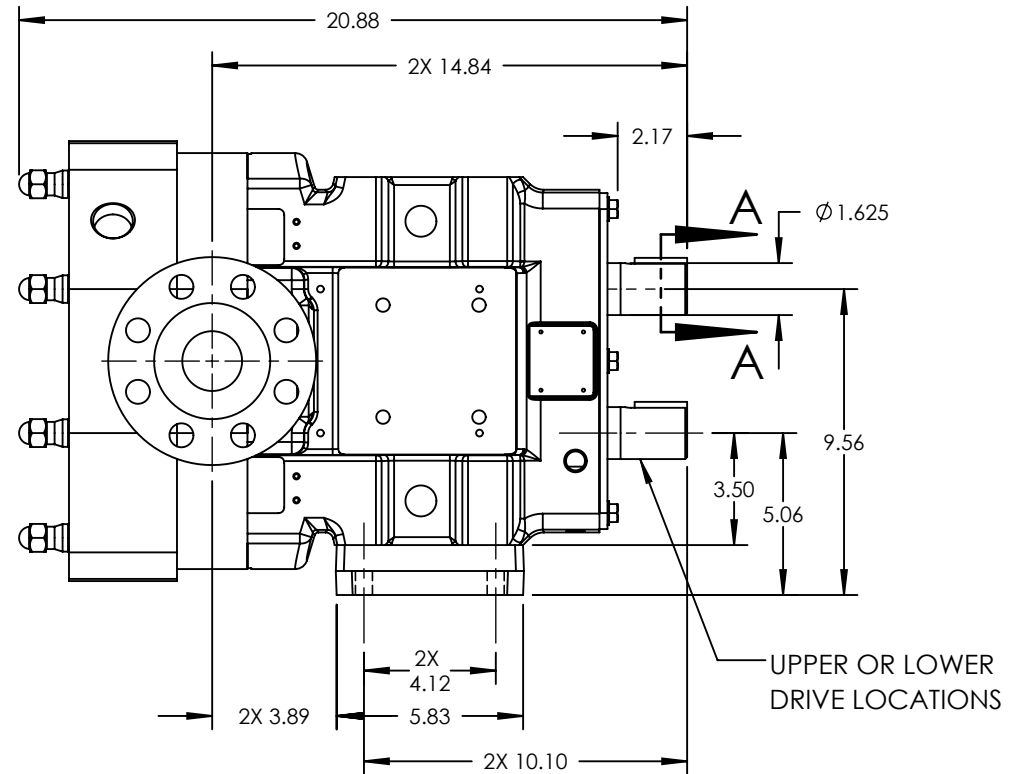
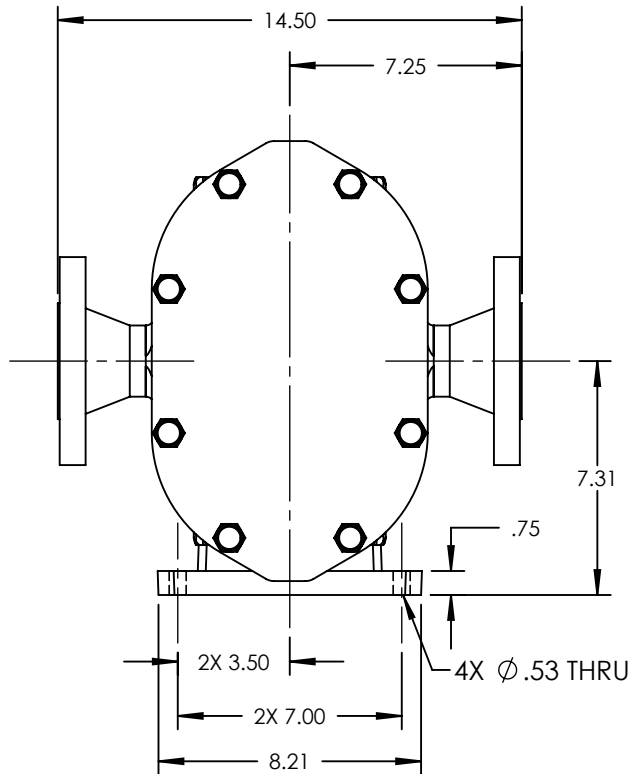
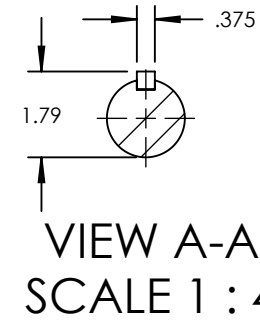


PUMP MODEL	TRA20-0450
ORIENTATION	HORIZONTAL
COVER	JACKETED
INLET	2.0" ANSI CLASS 300 FLANGES
DISCHARGE	2.0" ANSI CLASS 300 FLANGES
SPECIALS	NONE



NOTES:

1. THIS IS NOT A CERTIFIED DRAWING. USE FOR GENERAL INSTALLATION ONLY.

STATE	Released	11/06/2019	DIMENSIONS ARE IN INCHES		<small>Wrightflow Technologies, A Unit of IDEX Corporation Cedar Falls, IA 50613 U.S.A. Eastborne, East Sussex, BN23 6PT UK</small>	<small>THIS DRAWING IS THE PROPERTY OF WRIGHTFLOW TECHNOLOGIES AND IS PROPRIETARY IN GENERAL AND DETAIL. IT SHALL NOT BE COPIED OR ITS CONTENTS REVEALED TO OUTSIDE PARTIES WITHOUT THE WRITTEN CONSENT OF WRIGHTFLOW TECHNOLOGIES</small>	<b>3D</b>	DWG. NO.	SHEET 1 OF 2	REV. A.0
DRAWN	DJaramillo	11/6/2019						PROJECT:	TRA20-0450-025	11/06/2019
CHECKED	BAM	11/06/2019	WAS:							

