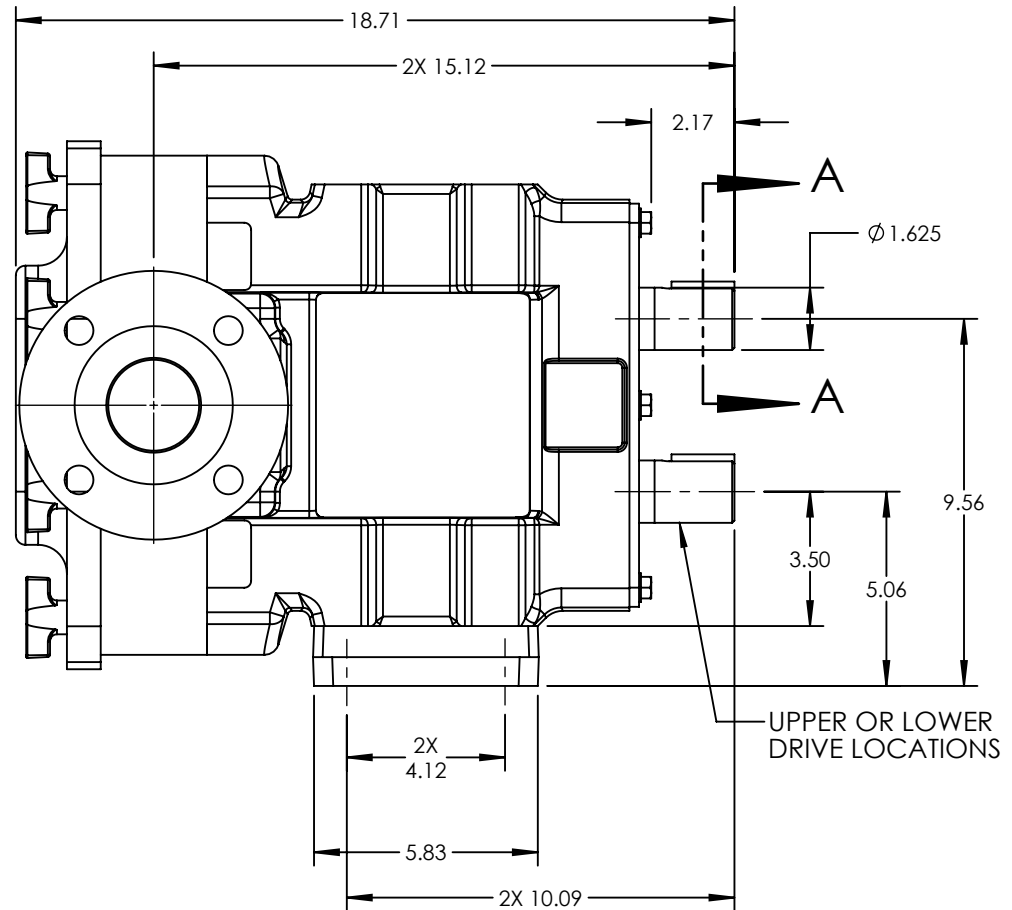
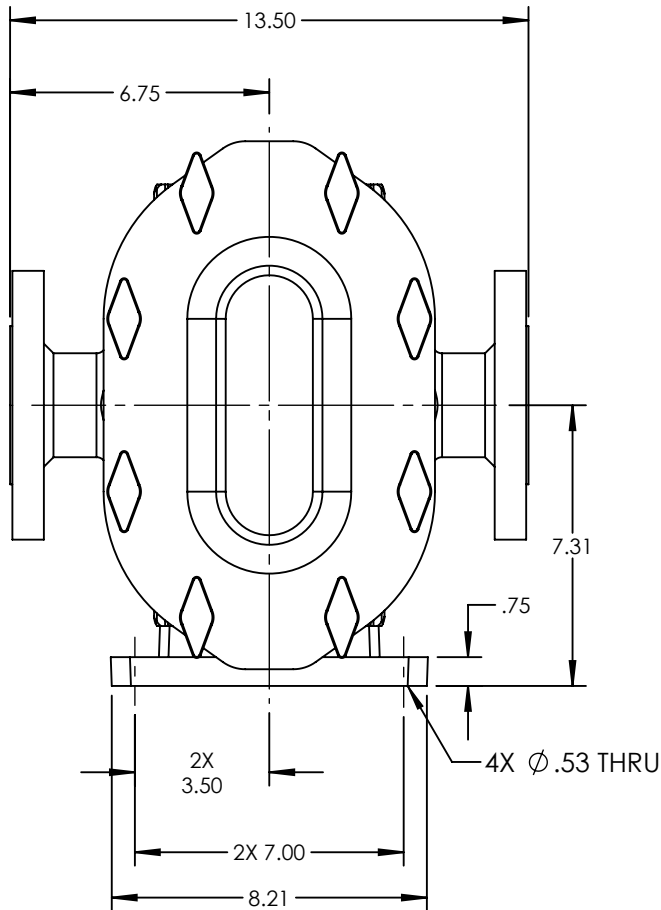
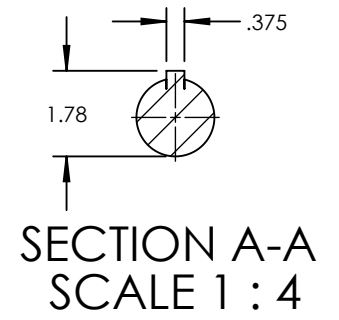


PUMP MODEL	TRA10-0600
ORIENTATION	HORIZONTAL
COVER	STANDARD
INLET	2.5" ANSI CLASS 150 RF FLANGE
DISCHARGE	2.5" ANSI CLASS 150 RF FLANGE
SPECIALS	NONE



NOTES:
1. THIS IS NOT A CERTIFIED DRAWING. USE FOR GENERAL INSTALLATION ONLY.

STATE	Released	04/05/2024	DIMENSIONS ARE IN INCHES	VIKING PUMP VIKINGPUMP.COM	THIS DRAWING IS THE PROPERTY OF VIKING PUMP, INC. AND IS PROPRIETARY IN GENERAL AND DETAIL. IT SHALL NOT BE COPIED OR ITS CONTENTS REVEALED TO OUTSIDE PARTIES WITHOUT THE WRITTEN CONSENT OF VIKING PUMP, INC.	3D	DWG. NO. TRA10-0600-033	SHEET 1 OF 1	REV. B.0
DRAWN	cneff	3/11/2014							PROJECT: WAS:
CHECKED	MEW	04/02/2024							