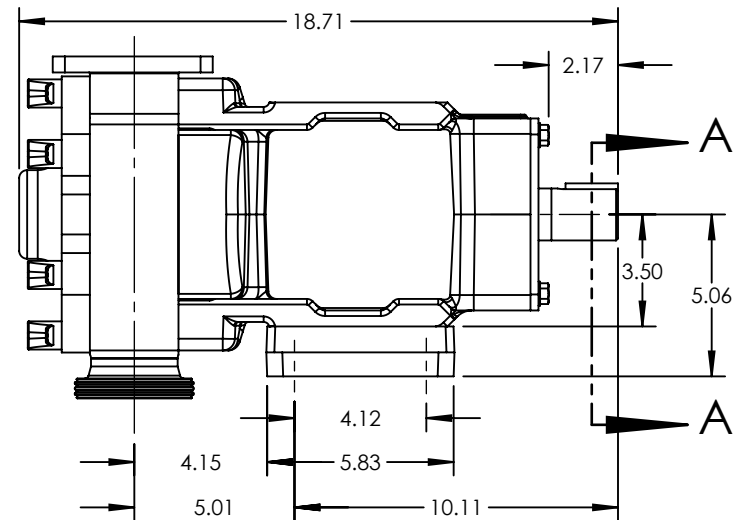
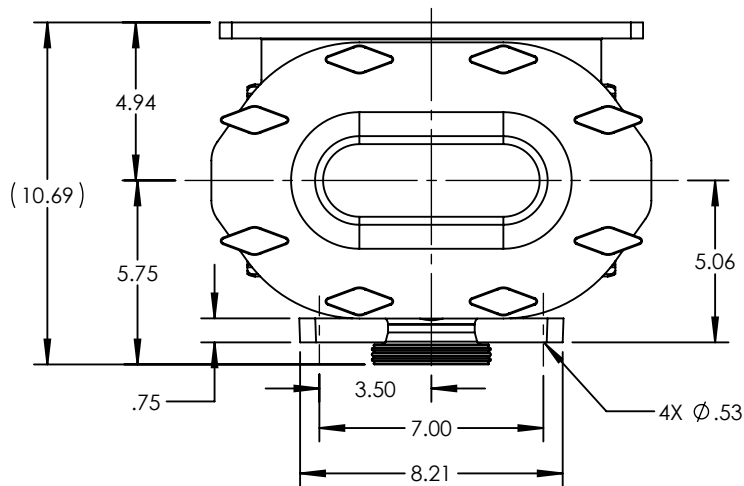
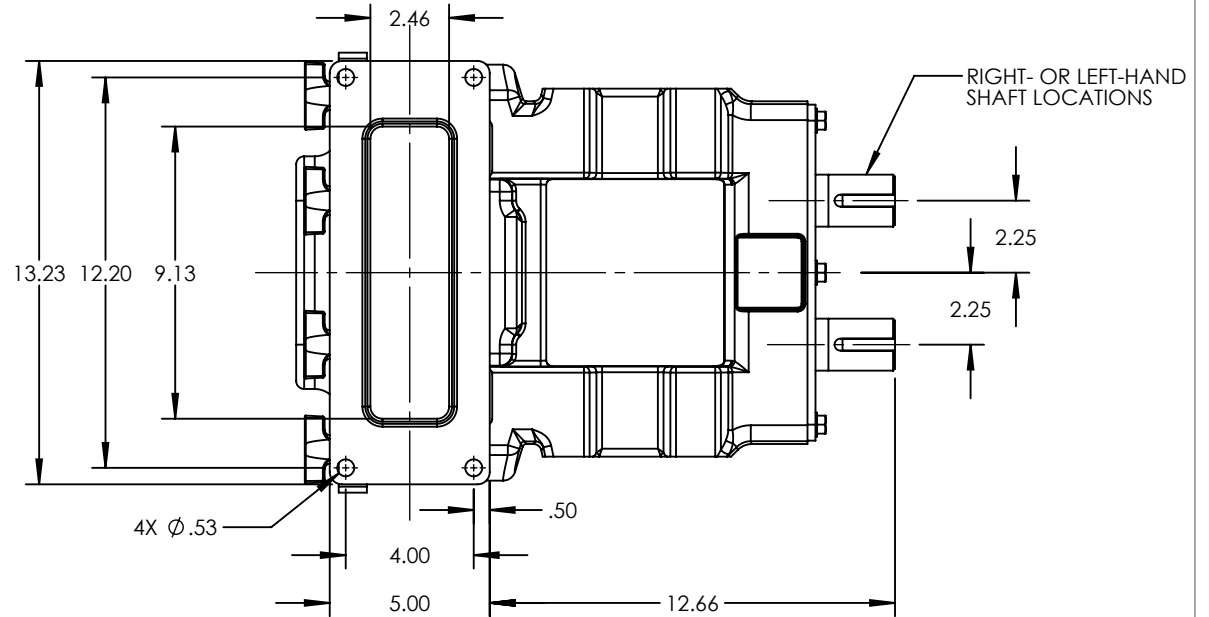
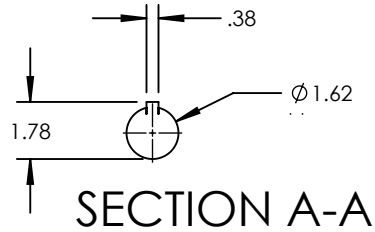


PUMP MODEL	TRA10-0640
ORIENTATION	VERTICAL
COVER	STANDARD
INLET	RECTANGULAR FLANGE
DISCHARGE	2.50 INCH DIN 11851
SPECIALS	NONE



NOTES:
THIS IS NOT A CERTIFIED DRAWING. USE FOR GENERAL INSTALLATION ONLY.

STATE	Released	06/22/2022
DRAWN	jgerbig	9/30/2016
CHECKED	CJM	06/22/2022

DIMENSIONS ARE IN INCHES
PROJECT:
WAS:



VIKING PUMP, INC.
A Unit of IDEX Corporation
Cedar Falls, IA 50613 U.S.A.
VIKINGPUMP.COM

THIS DRAWING IS THE PROPERTY OF VIKING PUMP, INC. AND IS PROPRIETARY IN GENERAL AND DETAIL. IT SHALL NOT BE COPIED OR ITS CONTENTS REVEALED TO OUTSIDE PARTIES WITHOUT THE WRITTEN CONSENT OF VIKING PUMP, INC.

3D

DWG. NO. TRA10-0640-004
SHEET 1 OF 1

REV. B.1

06/22/2022