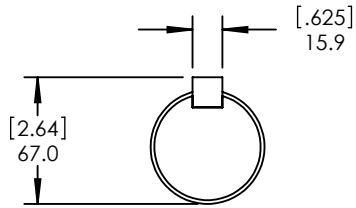
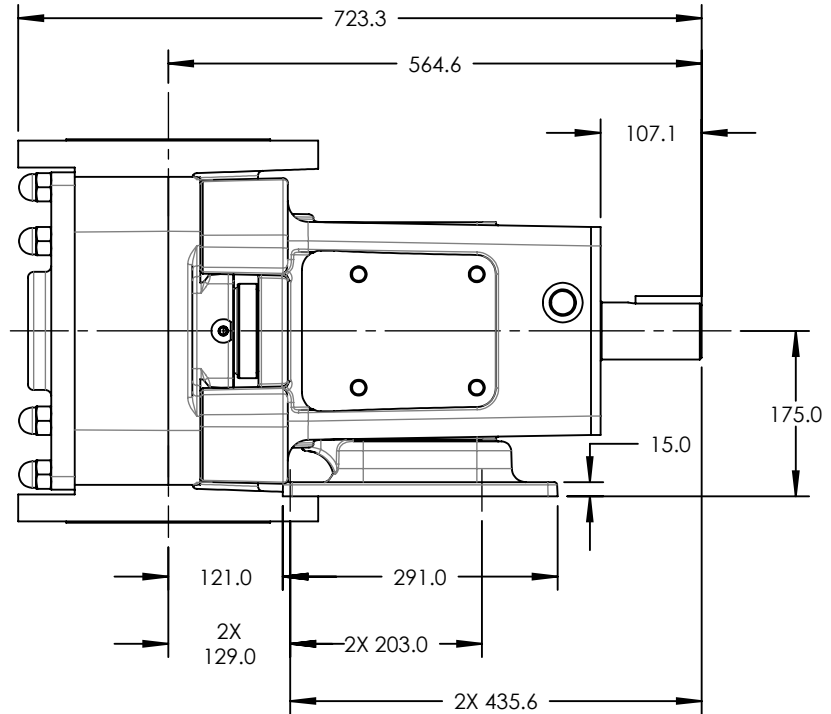
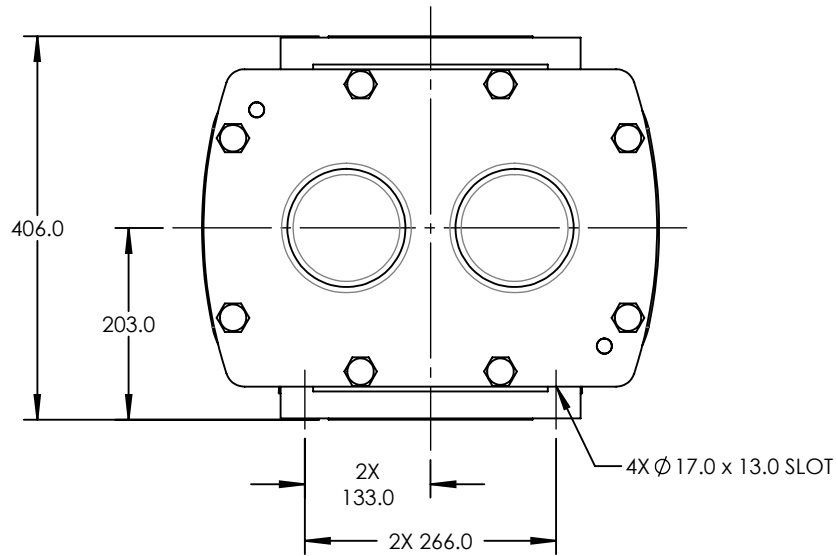
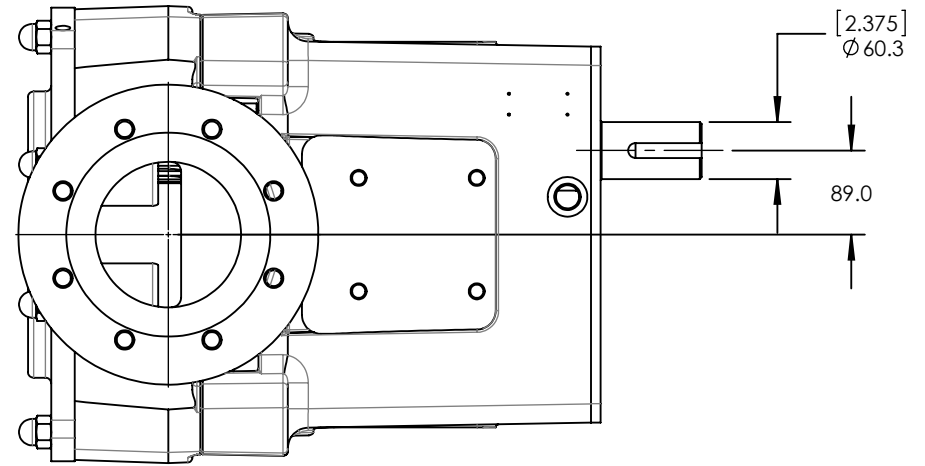


PUMP MODEL	R3800P
ORIENTATION	VERTICAL
COVER TYPE	STANDARD
INLET	6.00 INCH ASA CLASS 150
DISCHARGE	6.00 INCH ASA CLASS 150
SPECIALS	NONE



SCALE 1:4



NOTES:
THIS IS NOT A CERTIFIED DRAWING, USE FOR GENERAL INSTALLATION ONLY.

STATE	Check	02/01/2012	DIMENSIONS ARE IN MILLIMETERS
DRAWN	cneff	02/01/2012	
CHECKED	-	-	PROJECT WAS:



THIS DRAWING IS THE PROPERTY OF WRIGHTFLOW TECHNOLOGIES AND IS PROPRIETARY IN GENERAL AND DETAIL. IT SHALL NOT BE COPIED OR ITS CONTENTS REVEALED TO OUTSIDE PARTIES WITHOUT THE WRITTEN CONSENT OF WRIGHTFLOW TECHNOLOGIES

3D	DWG. NO.	R3800P-005	SHEET 1 OF 2	REV. A.0