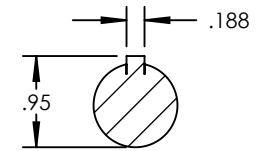
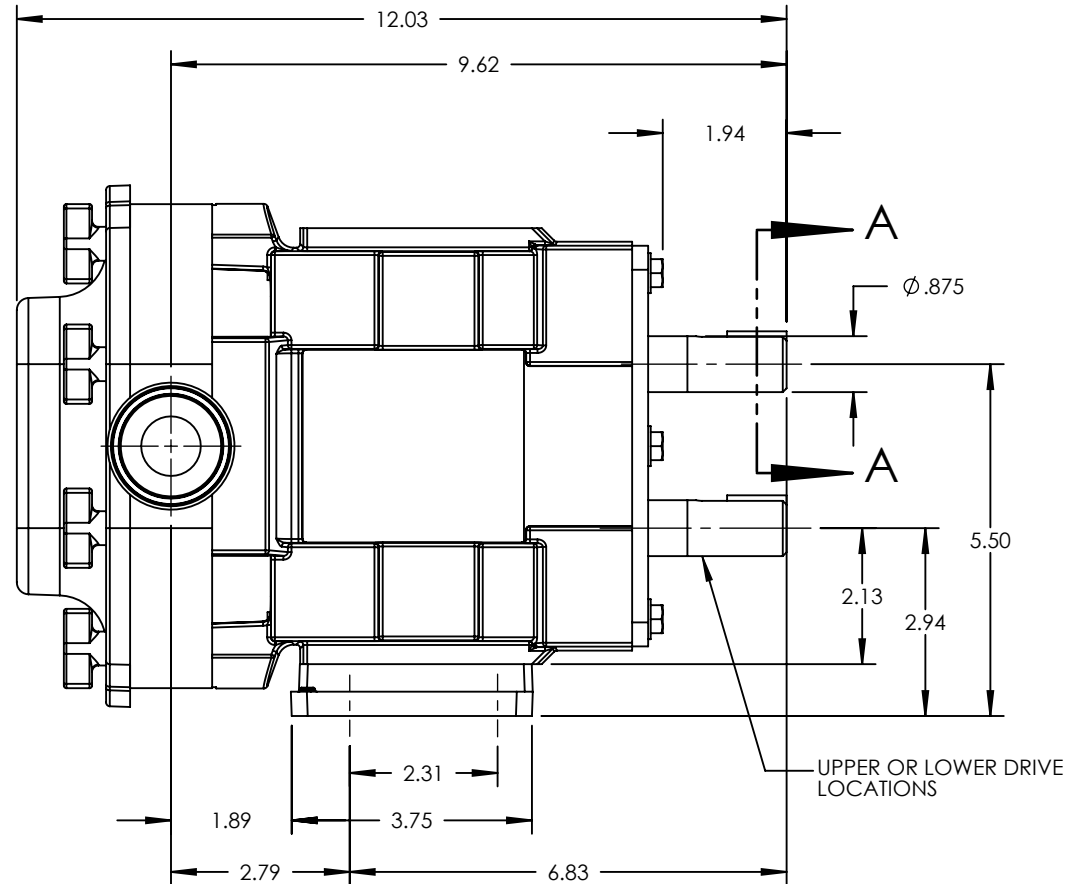
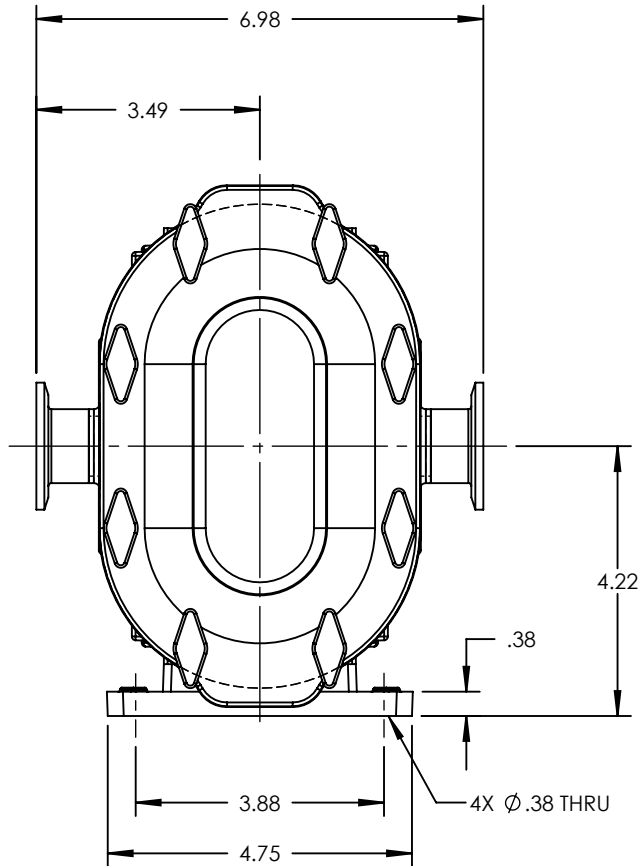


PUMP MODEL	TRA10-0060
ORIENTATION	HORIZONTAL
COVER	STANDARD
INLET	1.0" TRI-CLAMP
DISCHARGE	1.0" TRI-CLAMP
SPECIALS	NONE



SECTION A-A  
SCALE 1 : 2



NOTES:

1. THIS IS NOT A CERTIFIED DRAWING. USE FOR GENERAL INSTALLATION ONLY.

STATE	Released	12/23/2013	DIMENSIONS ARE IN INCHES
DRAWN	cneff	12/23/2013	
CHECKED	MPS	12/23/2013	
PROJECT:			WAS:
WAS:			



Wrightflow Technologies,  
A Unit of IDEX Corporation  
Cedar Falls, IA 50613 U.S.A.  
Eastborne, East Sussex, BN23 6PT UK

THIS DRAWING IS THE PROPERTY OF  
WRIGHTFLOW TECHNOLOGIES AND IS  
PROPRIETARY IN GENERAL AND DETAIL. IT  
SHALL NOT BE COPIED OR ITS CONTENTS  
REVEALED TO OUTSIDE PARTIES WITHOUT  
THE WRITTEN CONSENT OF WRIGHTFLOW  
TECHNOLOGIES

3D

DWG. NO. TRA10-0060-005  
SHEET 1 OF 2

REV. C.0

