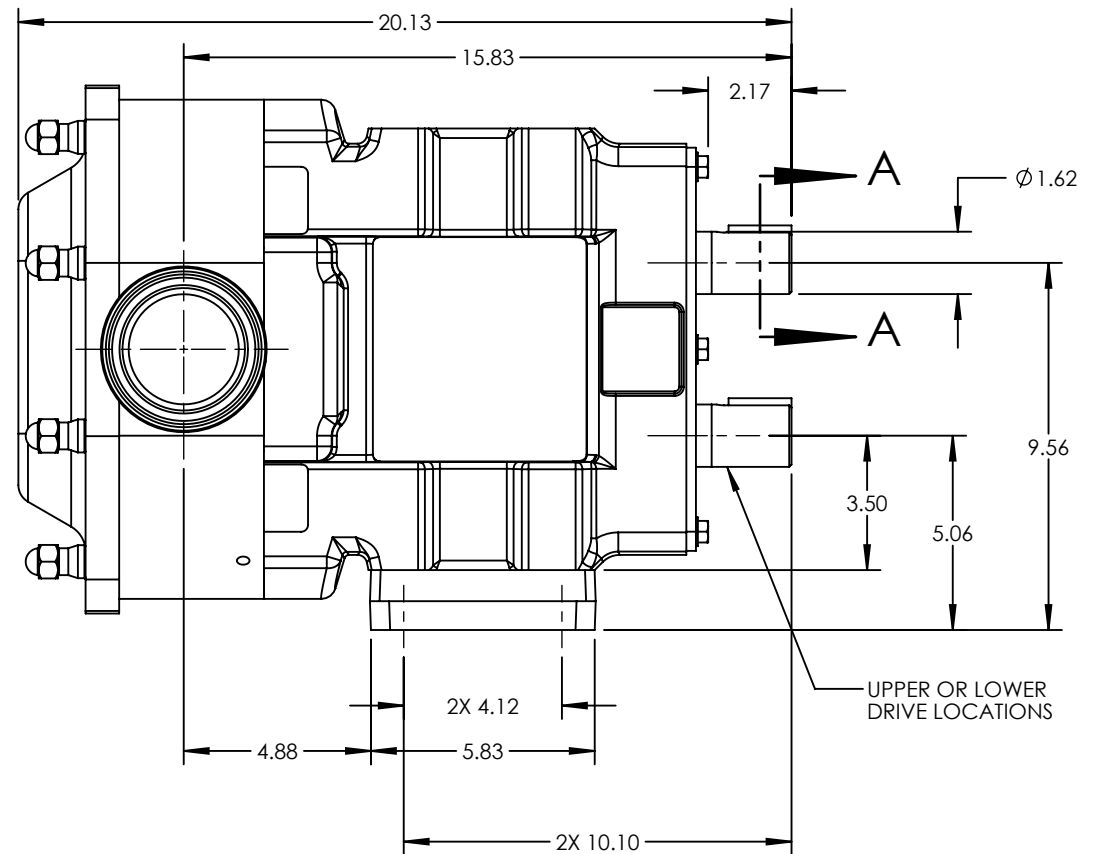
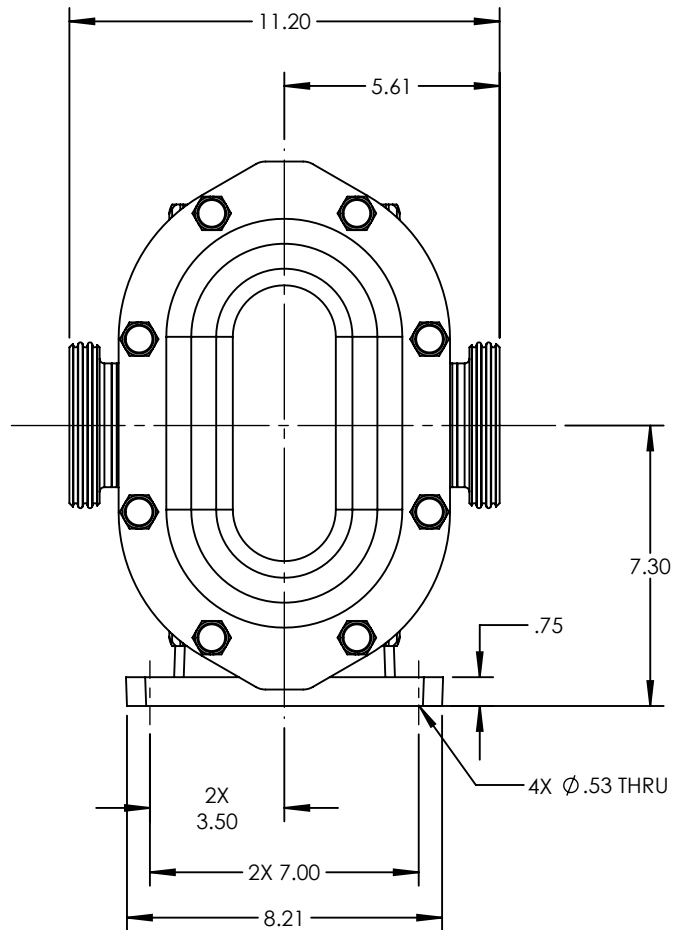
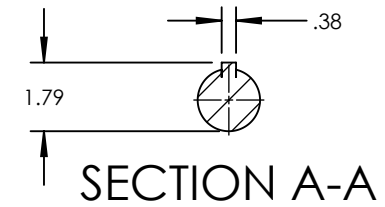


PUMP MODEL	TRA20-1300
ORIENTATION	HORIZONTAL
COVER TYPE	STANDARD
INLET	3.0" DIN 11851
DISCHARGE	3.0" DIN 11851
SPECIALS	NONE



NOTES:
1. THIS IS NOT A CERTIFIED DRAWING. USE FOR GENERAL INSTALLATION ONLY.

STATE	Released	06/22/2022
DRAWN	jgerbig	8/25/2015
CHECKED	CJM	06/22/2022

DIMENSIONS ARE IN INCHES	
PROJECT:	
WAS:	

VIKING PUMP

VIKING PUMP, INC.
A Unit of IDEX Corporation
Cedar Falls, IA 50613 U.S.A.
VIKINGPUMP.COM

THIS DRAWING IS THE PROPERTY OF VIKING PUMP, INC. AND IS PROPRIETARY IN GENERAL AND DETAIL. IT SHALL NOT BE COPIED OR ITS CONTENTS REVEALED TO OUTSIDE PARTIES WITHOUT THE WRITTEN CONSENT OF VIKING PUMP, INC.

3D

DWG. NO. TRA20-1300-018

SHEET 1 OF 1

REV. A.1

06/22/2022