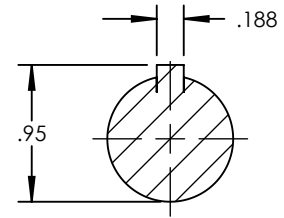
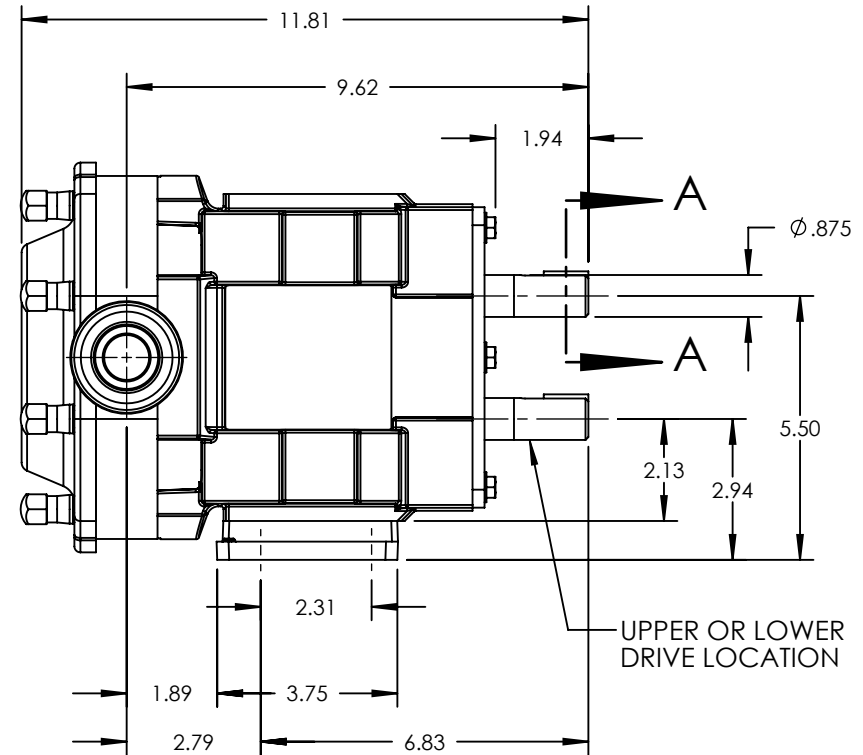
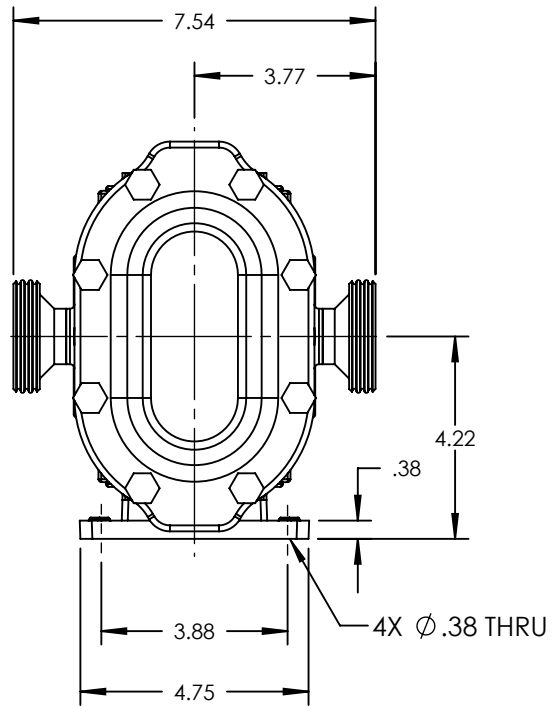


PUMP MODEL	TRA20-0150
ORIENTATION	HORIZONTAL
COVER TYPE	STANDARD
INLET	1.5" SMS
DISCHARGE	1.5" SMS
SPECIALS	NONE



SECTION A-A
SCALE 3 : 4



NOTES:

1. THIS IS NOT A CERTIFIED DRAWING. USE FOR GENERAL INSTALLATION ONLY.

STATE	Released	12/05/2017	DIMENSIONS ARE IN INCHES		<small>Wrightflow Technologies, A Unit of IDEX Corporation Cedar Falls, IA 50613 U.S.A. Eastborne, East Sussex, BN23 6PT UK</small>	<small>THIS DRAWING IS THE PROPERTY OF WRIGHTFLOW TECHNOLOGIES AND IS PROPRIETARY IN GENERAL AND DETAIL. IT SHALL NOT BE COPIED OR ITS CONTENTS REVEALED TO OUTSIDE PARTIES WITHOUT THE WRITTEN CONSENT OF WRIGHTFLOW TECHNOLOGIES</small>	3D	DWG. NO.	SHEET 1 OF 2	REV. A.0
DRAWN	jgerbig	12/5/2017						PROJECT:	TRA20-0150-010	08/04/2015
CHECKED	JAG	12/05/2017	WAS:							

