

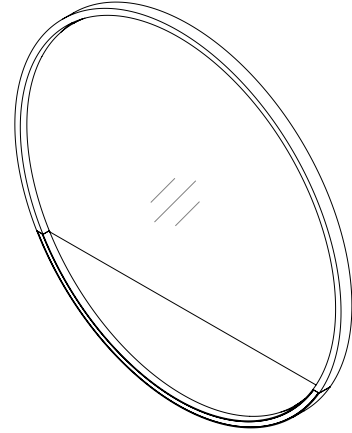
WATERLINE MIRROR 36" | ASSEMBLY INSTRUCTION

CONTENTS

- [1] Mirror
- [2] Mounting Bracket

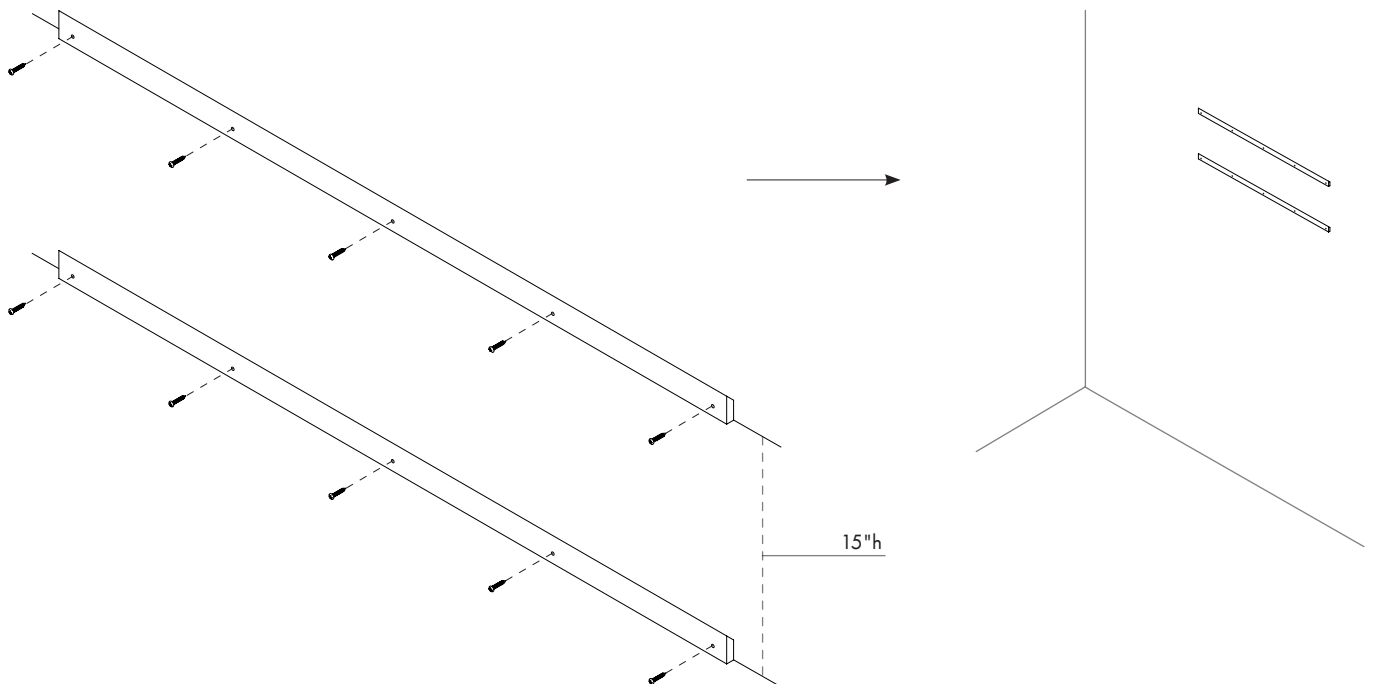
NOT INCLUDED:

- Level
- Measuring tape
- Screws & wall anchors (recommended)
- Drill/Screw driver



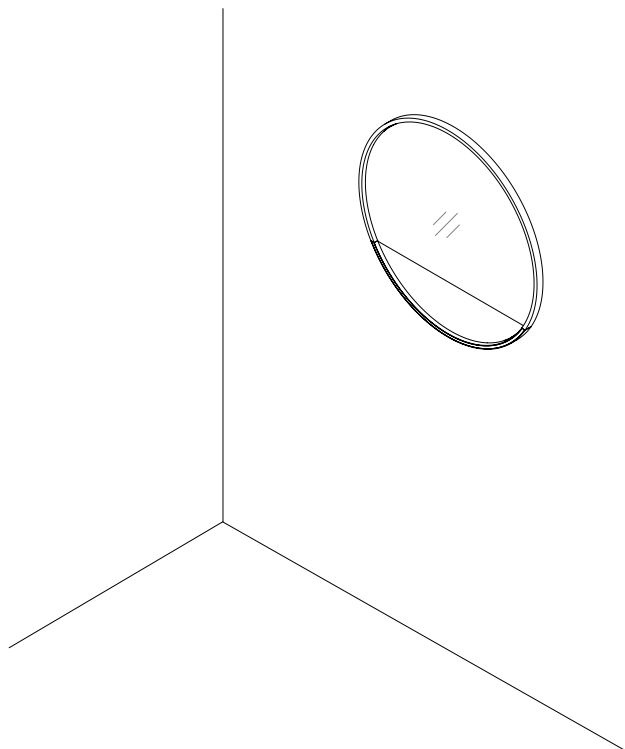
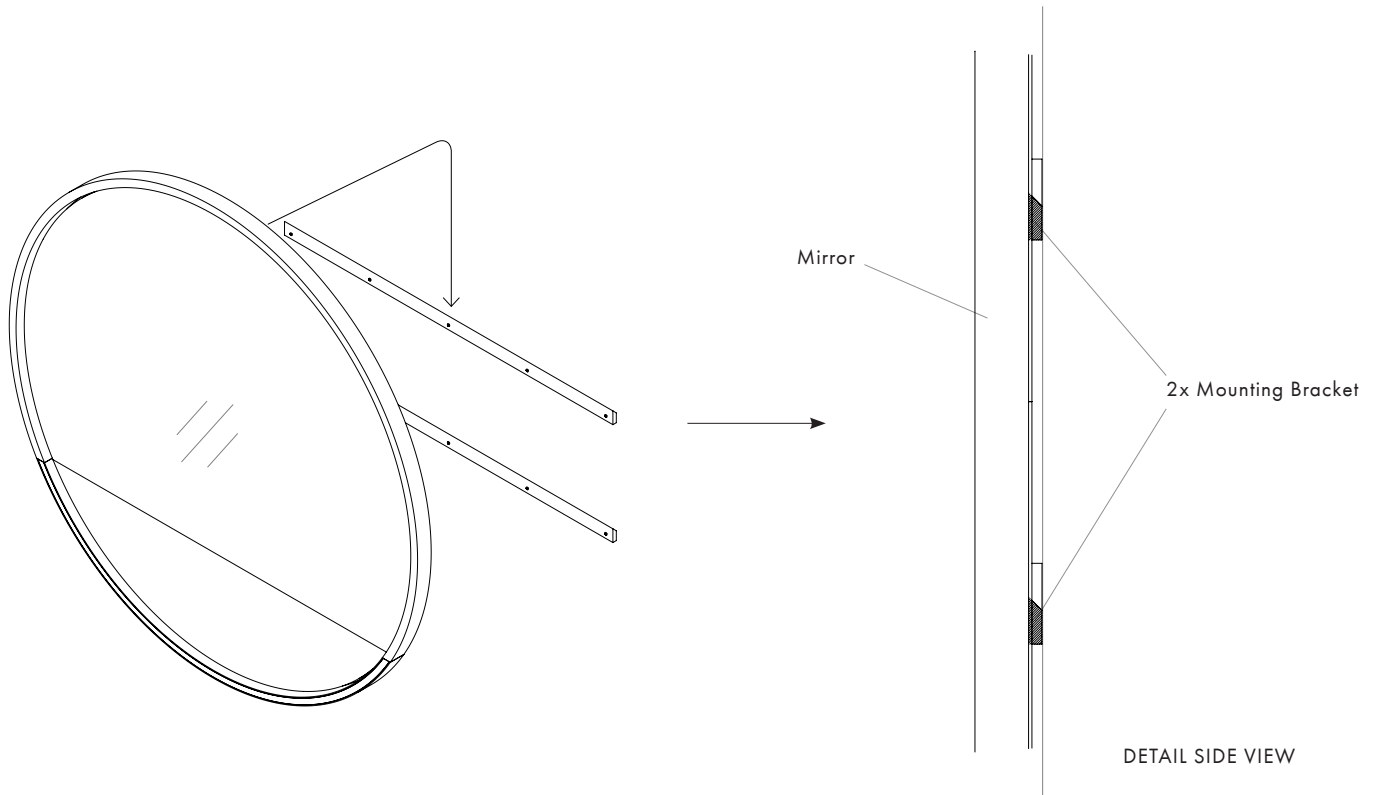
As you unpack, place the contents on a carpeted or padded area to protect them from damage. Improper unpacking can result in personal or property damage.

- 1 Using the level, measuring tape and a pencil, lightly mark two horizontal lines 15" apart. Aligning the bottom edge of each Mounting Bracket with the line, fasten to the wall using appropriate hardware.



2

Attach Mirror onto the Mounting Brackets.



This product must be secured to the wall or other stable surface to prevent tipping. Serious or fatal crushing injuries can occur from furniture tip-over.

To further reduce the risk of serious injury and death from tip-overs:

- Never stand on furniture
- Furniture intended for placement on floor