

# FENCED IN CONSOLE | ASSEMBLY INSTRUCTION

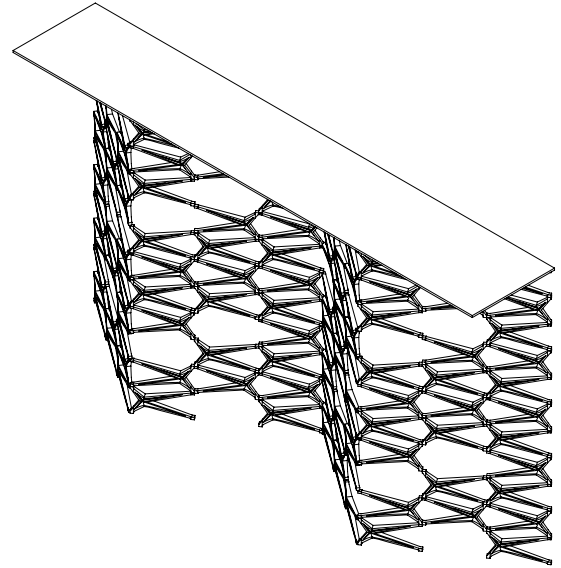
## CONTENTS

- [1] Console Table
- [2] Mounting Bracket
- [2] Mounting Bracket Screws

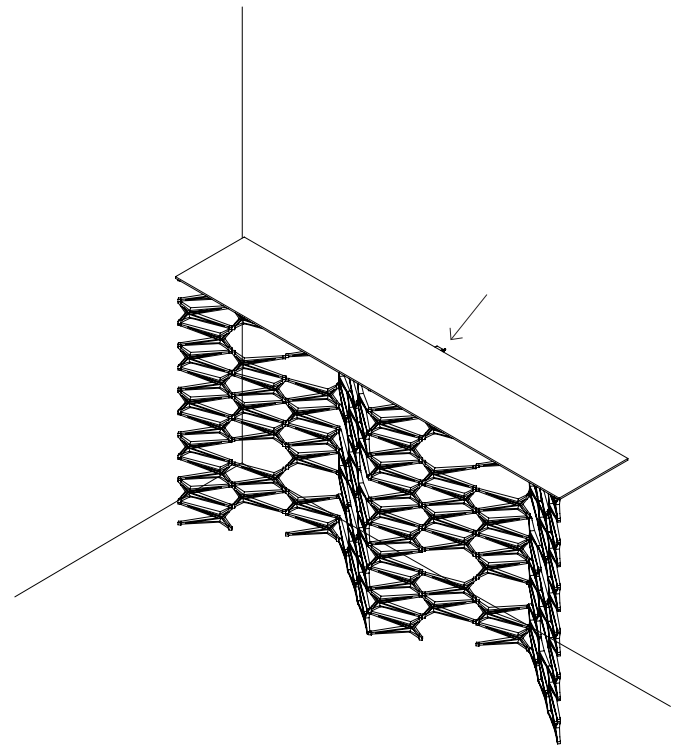
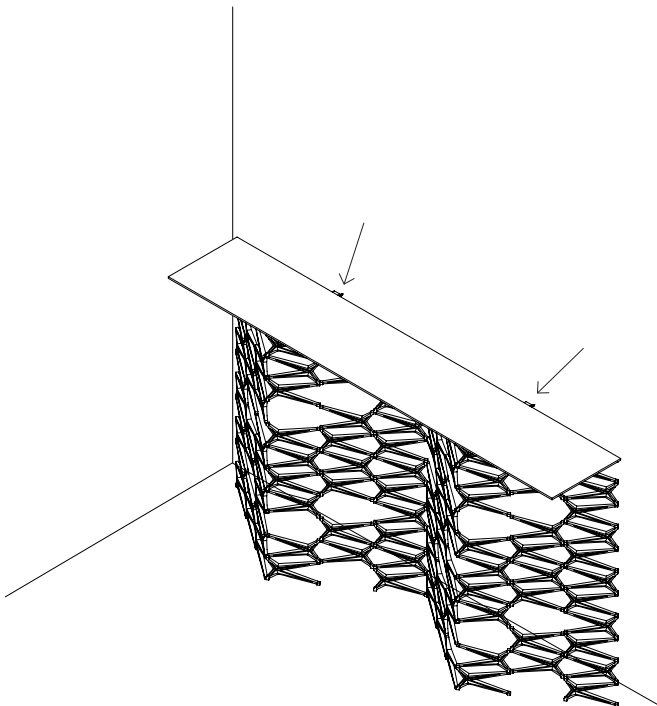
### NOT INCLUDED:

Screws for wall mounting & wall anchors (recommended)  
Drill/Screw driver  
Hex Key

As you unpack, place the contents on a carpeted or padded area to protect them from damage. Improper unpacking can result in personal or property damage.

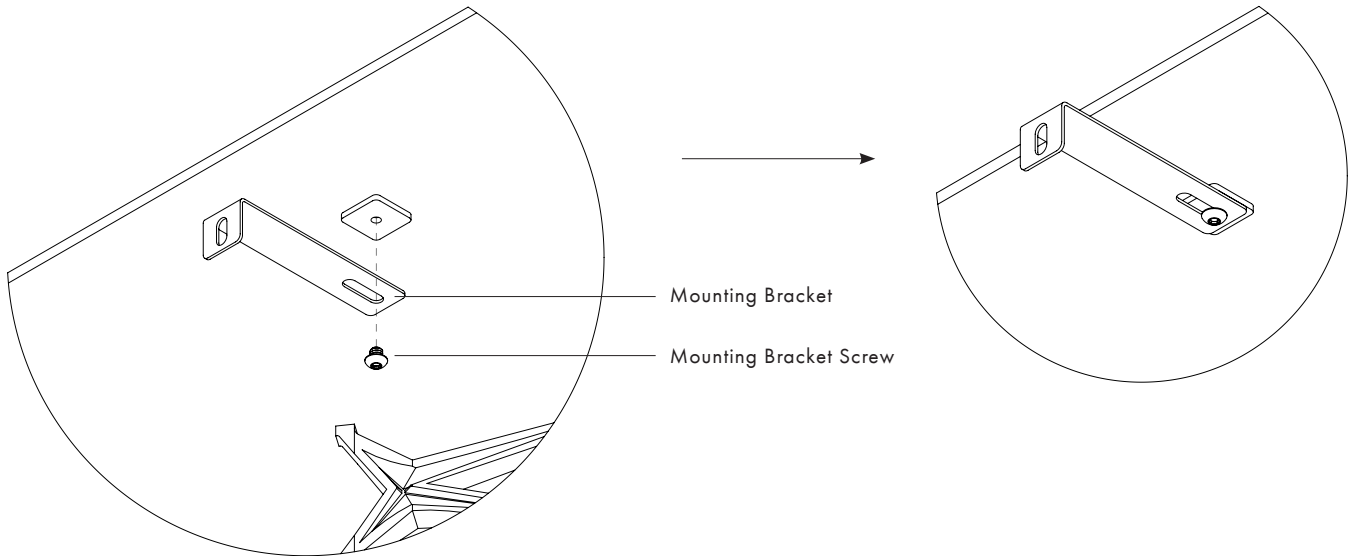


- 1 Determine which side would face the front, it can be oriented either way. Note that depending on which side you choose, you may need either one Mounting Bracket or two Mounting Brackets.



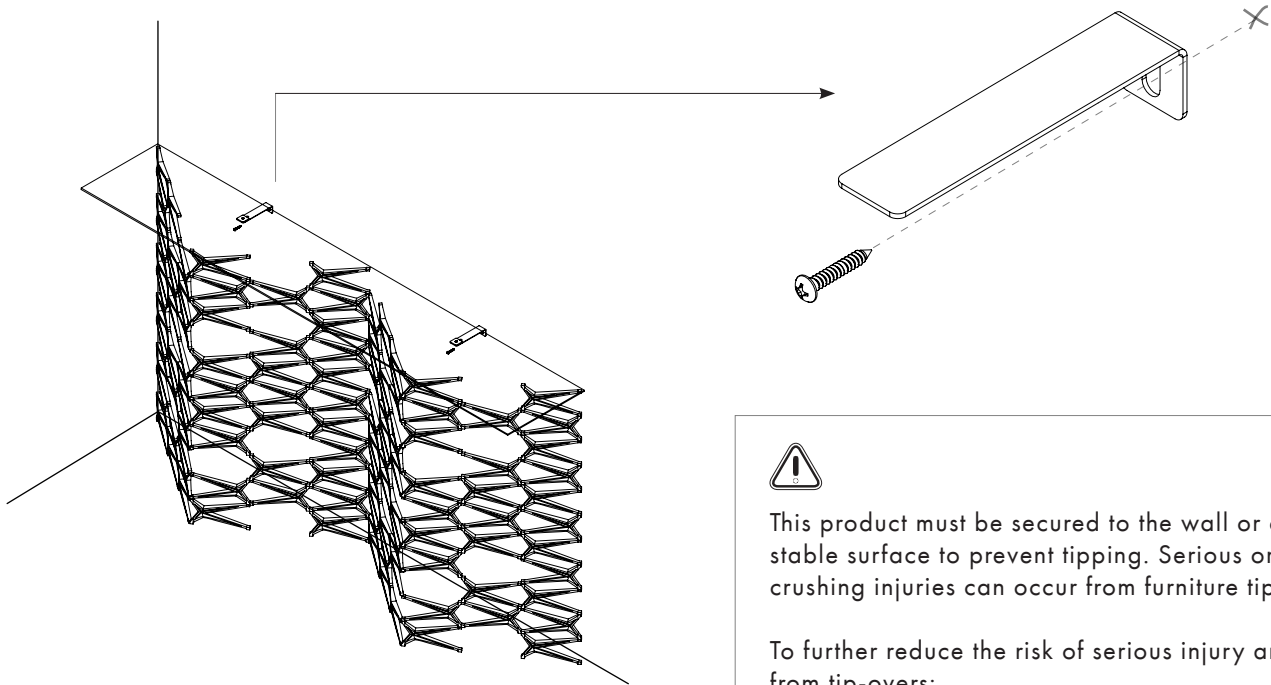
## 2

Attach the Mounting Bracket(s) using the screws provided.



## 3

Place the Console against the wall and lightly mark the hole location(s) using a pencil. Fasten to the wall using appropriate hardware.



This product must be secured to the wall or other stable surface to prevent tipping. Serious or fatal crushing injuries can occur from furniture tip-over.

To further reduce the risk of serious injury and death from tip-overs:

- Never stand on furniture
- Furniture intended for placement on floor