

Diesel Induction Service

Operating Instructions for '01-'02 Dodge Sprinter

BG Dodge Sprinter Intake Adaptor, PN 9255-019

Always clean EGR passages before cleaning air intake. For use with BG Diesel Induction Service Set, PN 9255-550.

1. Add one quart (946 mL) of BG 245[®] PN 24532, to fuel tank.
2. Check computer for diagnostic codes and record them. Clear the codes.
3. Remove air tube and EGR valve. Clean EGR with BG Throttle Body & Intake Cleaner, PN 406. Install the BG Dodge Sprinter Intake Adaptor, PN 9255-019, to the air intake of the engine.

4. Install the BG Injector Atomizer into the top of the BG Dodge Sprinter Intake Adaptor.

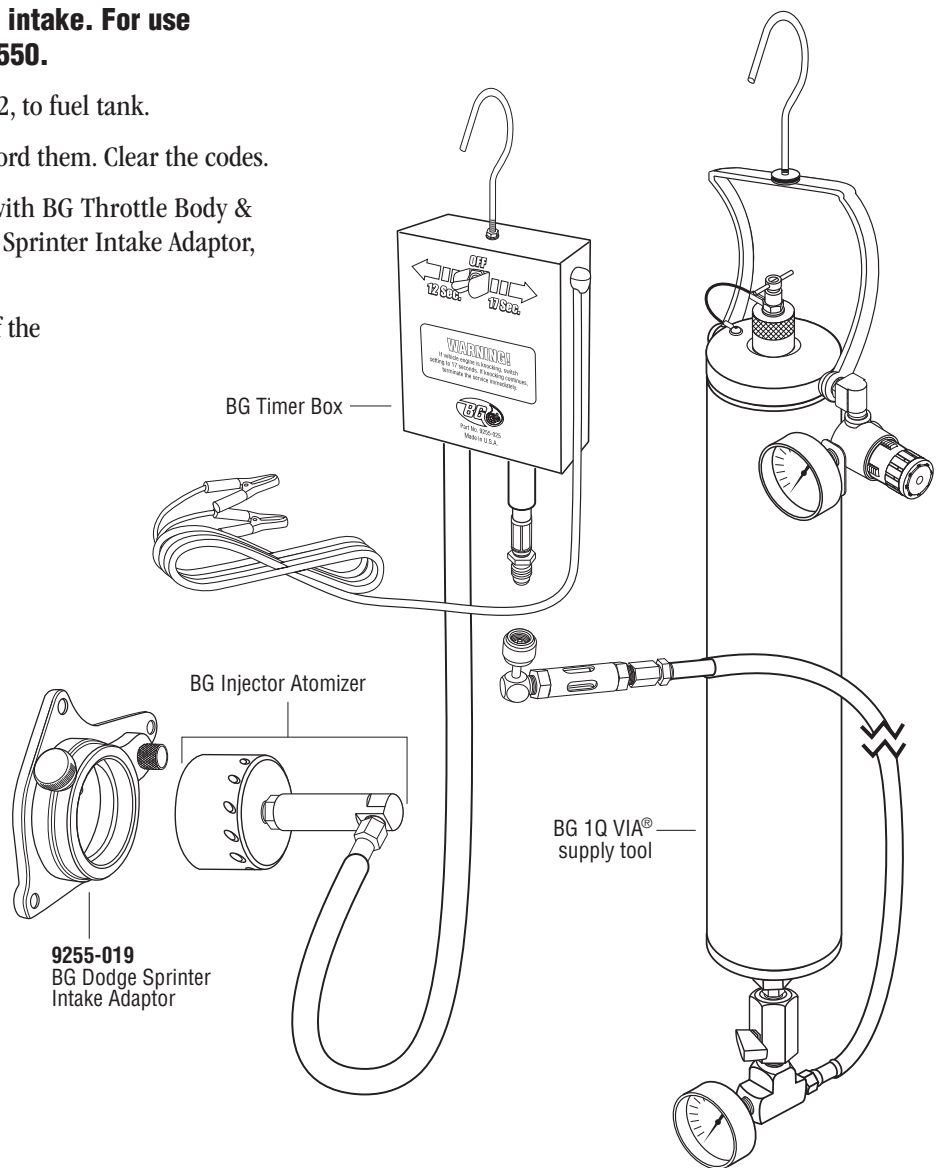
5. Close all valves on BG 1Q VIA[®] supply tool. Fill the BG 1Q VIA[®] with one quart (946 mL) of BG Diesel ISC[®], PN 25532. On severely carbonated systems, two quarts (1.89 L) of BG Diesel ISC[®] may be necessary. Close fill cap securely and connect the supply hose to the bottom of the BG Timer Box.

Connect BG 1Q VIA[®] to shop air and set regulator pressure to 90 PSI.

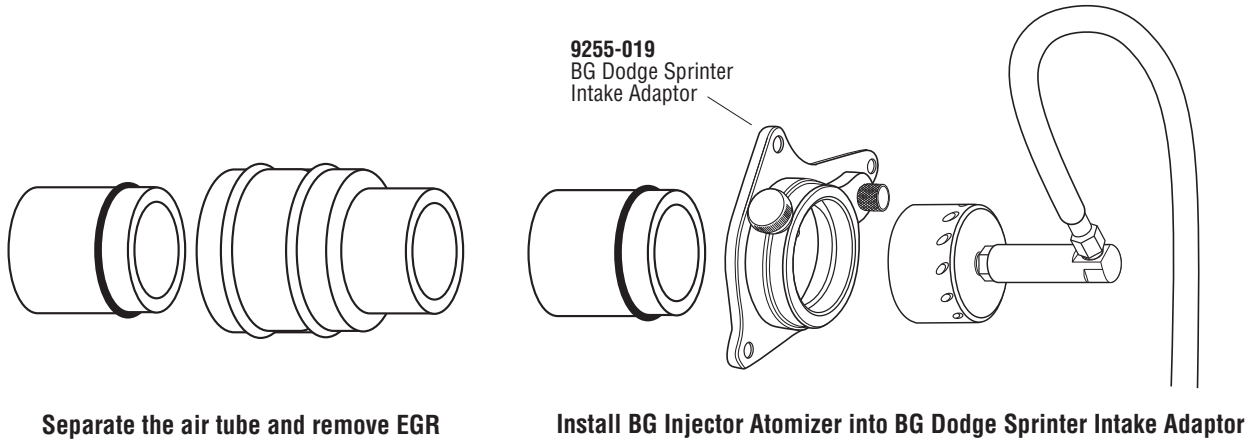
6. Make sure the switch on the BG Timer Box is set to "Off." Connect to 12-volt DC power supply. Many diesels run 24-volt systems; be sure you have a 12-volt source. **WARNING! Ensure that RED cable clamp is connected to positive (+) battery terminal and BLACK cable clamp is connected to negative (-) battery terminal. Improper use will result in engine failure!**

7. Start engine and bring to full operating temperature. Use throttle depressor to set RPM between 900–1000. **NOTE: Service run time is controlled through the BG Timer Box; increasing the vehicle RPM will NOT speed up the service time. DANGER! Increasing the RPM over the recommended 900–1000 could result in extremely rich conditions which cause extreme oil dilution and/or hydro lock the engine.** Open ball valve on BG 1Q VIA[®] and turn BG Timer Box to the highest number, which will give the longest time between firings. If the vehicle runs well and does not clatter or knock, switch to the lower number for faster cleaning setting. **If the engine begins to clatter or knock, immediately turn off the BG Timer Box and wait for the engine to run normally. Restart service by setting selector to higher number.**

8. When the BG Diesel ISC[®] has been consumed, shut engine off and remove all apparatus. Reinstall EGR valve and reconnect air tube to the intake.



Install BG Dodge Sprinter Intake Adaptor and BG Injector Atomizer



9. Restart engine, raise RPM between 1500–2000 for 15 minutes to dry out pockets of cleaner that may have accumulated.
Do not skip this step!
10. Install one quart (946 mL) of BG EPR[®] Engine Performance Restoration,[®] PN 10932, in the crankcase of the engine. This step will clean the oil passages and help restore compression.
11. Engine oil and filter will be contaminated with cleaning solution from the service and must be changed at this time. Failure to do so will result in engine damage.
12. Add one quart (946 mL) of BG DOC[®] Diesel Oil Conditioner, PN 11232, to new engine oil.
13. Clear any codes that may have been set.
14. Drive the vehicle for 5–10 miles to remove any loose deposits.