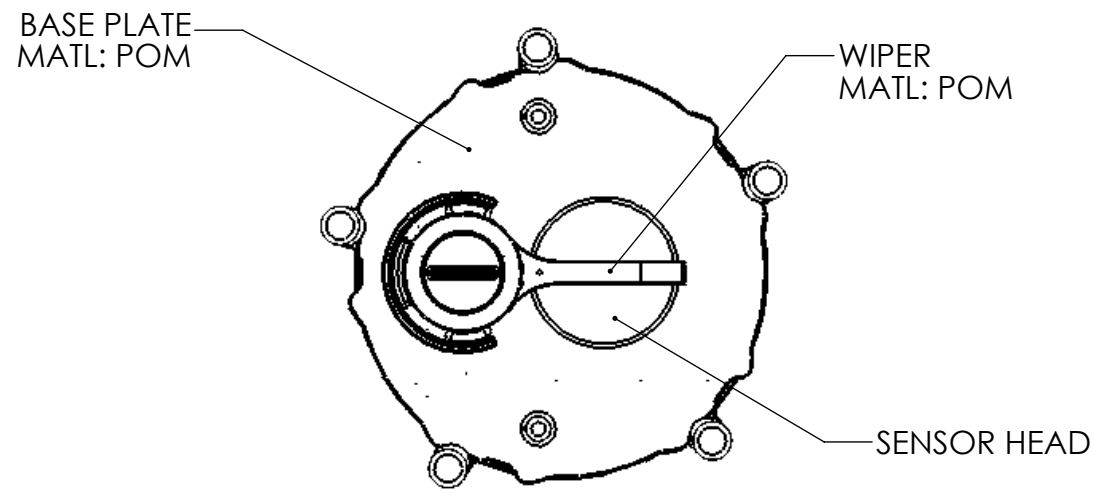
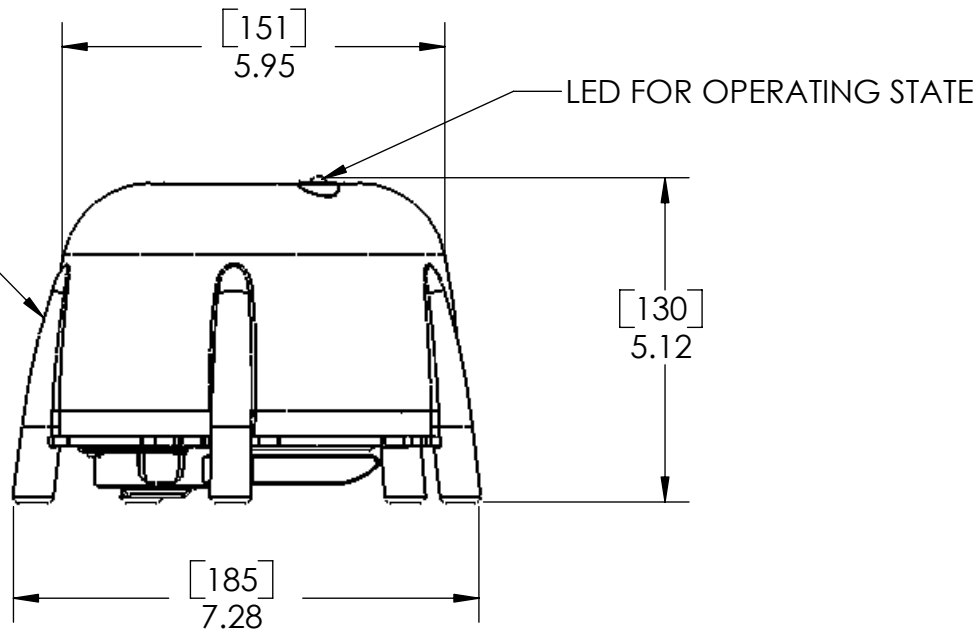
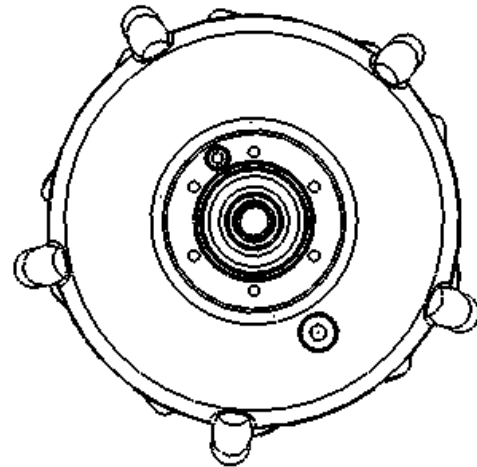
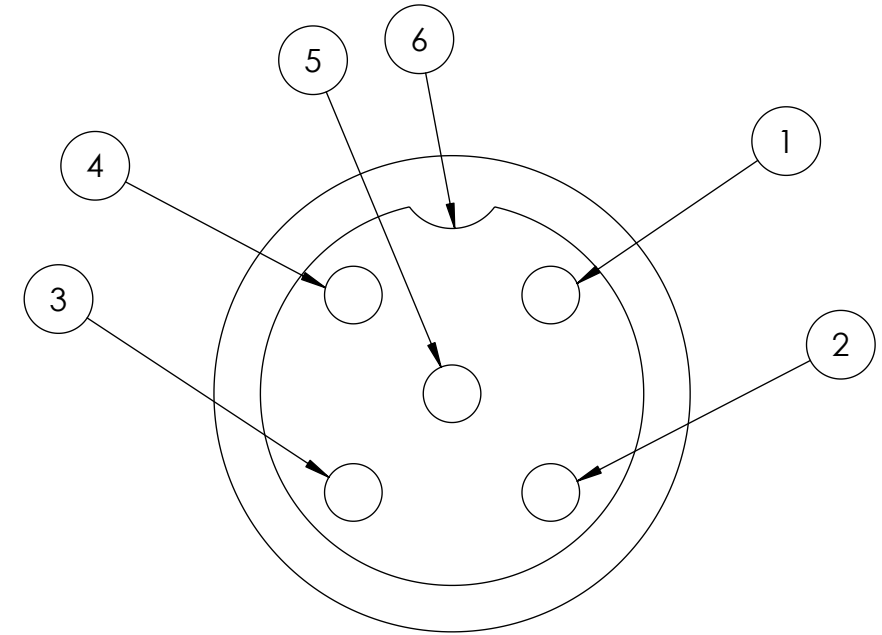


NOTES:  
 1. ALL DIMENSIONS ARE IN INCHES [MILLIMETERS].



**INSTRUMENT DIMENSIONS**

REVISION		
REV	DESCRIPTION	APPROVED
A	PRODUCTION RELEASE	



NUMBER	DESIGNATION	WIRE COLOR
1	+ 12 VDC	BROWN
2	CIRCUIT COMMON	BLACK
3	DATA (+)	BLUE
4	DATA (-)	WHITE
5	SHIELD	SHIELD (GREY WIRE IN EXISTING QUICK - DISCONNECT FITTING)
6	GROOVE	

**QUICK CONNECT FITTING PIN ASSIGNMENT**

NOTICE--HACH COMPANY CLAIMS PROPRIETARY RIGHTS IN THE INFORMATION DISCLOSED ON THIS DRAWING. IT IS ISSUED IN CONFIDENCE FOR ENGINEERING INFORMATION ONLY AND MAY NOT, IN WHOLE OR IN PART, BE USED TO MANUFACTURE ANYTHING, WHETHER OR NOT SHOWN HEREON, REPRODUCED OR DISCLOSED TO ANYONE WITHOUT DIRECT PERMISSION FROM HACH COMPANY.

MATERIAL	UNLESS OTHERWISE SPECIFIED:	NAME	DATE	<b>HACH COMPANY</b> 5600 LINDBERGH DR. LOVELAND, CO. 80539
	DIMENSIONS ARE IN INCHES TOLERANCES: .X = ± .XX = ± .XXX = ± ANGLES = ±	DRAWN	TCS	
	INTERPRET GEOMETRIC TOLERANCING PER: ANSI Y14.5M 1994	ENGINEER	TCS	11/03/06
	DO NOT SCALE DRAWING	THIRD ANGLE PROJECTION		TITLE: TRANSMITTAL, SONATAX sc SLUDGE LEVEL
				SIZE <b>B</b> DWG. NO. LXV43187 REV <b>A</b>
		SCALE: 1:3 WEIGHT: 1.231 SHEET 1 OF 2		

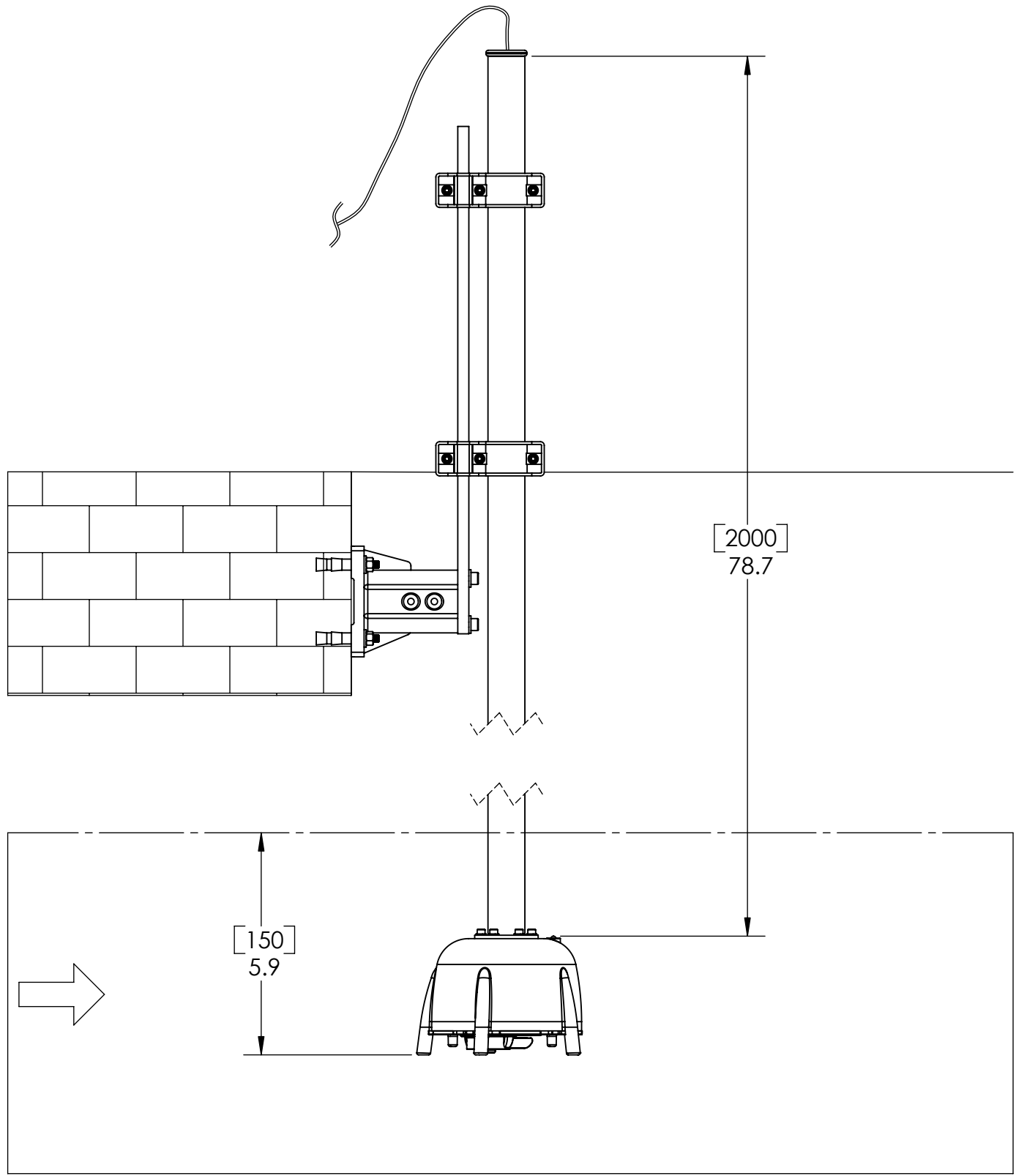
8 7 6 5 4 3 2 1

D  
C  
B  
A

D  
C  
B  
A

### GENERAL INFORMATION:

1. MEASURING RANGE: 0.2 M - 12 M (0.6 ft - 40 ft) SLUDGE LEVEL
2. AMBIENT TEMPERATURE: > 0 - 50°C (> 32-122°F)
3. PRESSURE RANGE: ≤ .3 bar OR ≤ 3 M (≤ 43,55 psi OR ≤ 10 ft)
4. CABLE LENGTH: 10 M (33 ft), MAX. 100 M (330 ft) WITH EXTENSION CABLE
5. SENSOR POWER: 12 V, 2.4 W (200 mA)
6. ENCLOSURE RATING: IP68 (≤ 1 bar (14.5 psi))
7. MASS: APPROX. 3.5 kg (123.5 oz), WITHOUT STRUTS



### INSTALLATION GUIDELINES

SIZE <b>B</b>	DWG. NO. LXV43187	REV <b>A</b>
SCALE: 1:4	WEIGHT:	SHEET 2 OF 2

8 7 6 5 4 3 2 1