

Quick Reference Guide: RTC-C/DC

Our RTC optimization experts are ready to help you adjust settings to meet your needs. If you know what you want to happen but are not exactly sure which settings will make it work, give us a call!

1 800 708 5603 ext 6104 or rtctech@hach.com

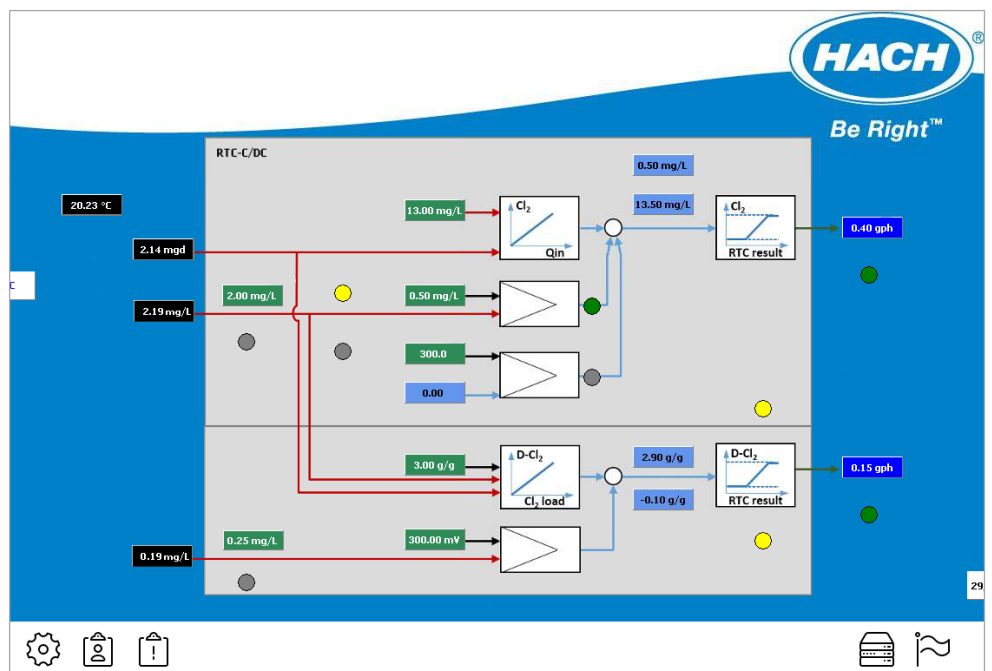


Plant View:

This gives an overview of all inputs and outputs relevant to the system.

- Items in black are valid measurements.
- Measurements will turn yellow to indicate an instrument warning or a limit that has been reached.
- Measurements turn red if there is an error or a limit has been exceeded for longer than the programmed time.
- Gray measurements indicate unused signals.

Click on any parameter to see a quick 24-hour trend and a brief description of what the signal means.



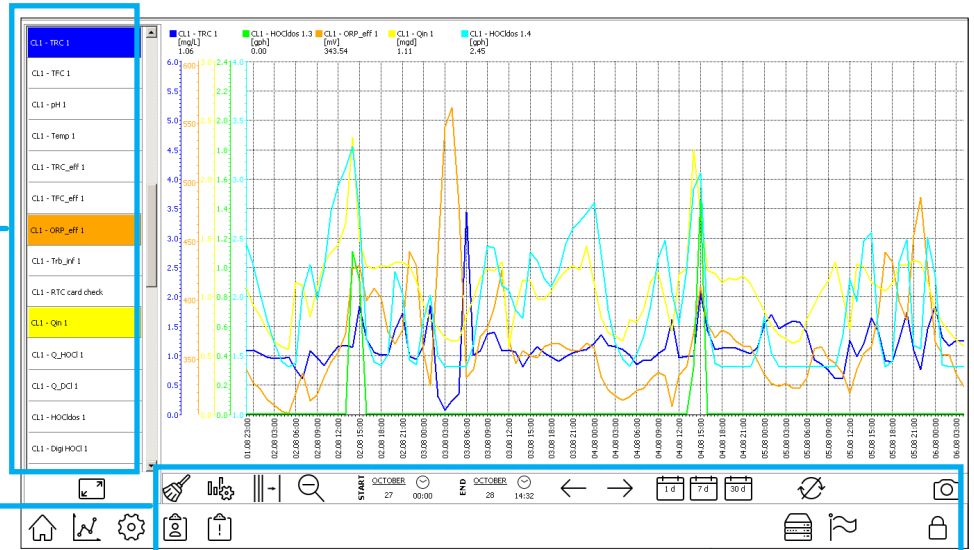
Graphing:

This powerful visualization tool can help you see relationships between different measurements or calculations.

Custom parameter groups can be configured in the graph options under "general options".

Select parameters on the left to add to the graph.

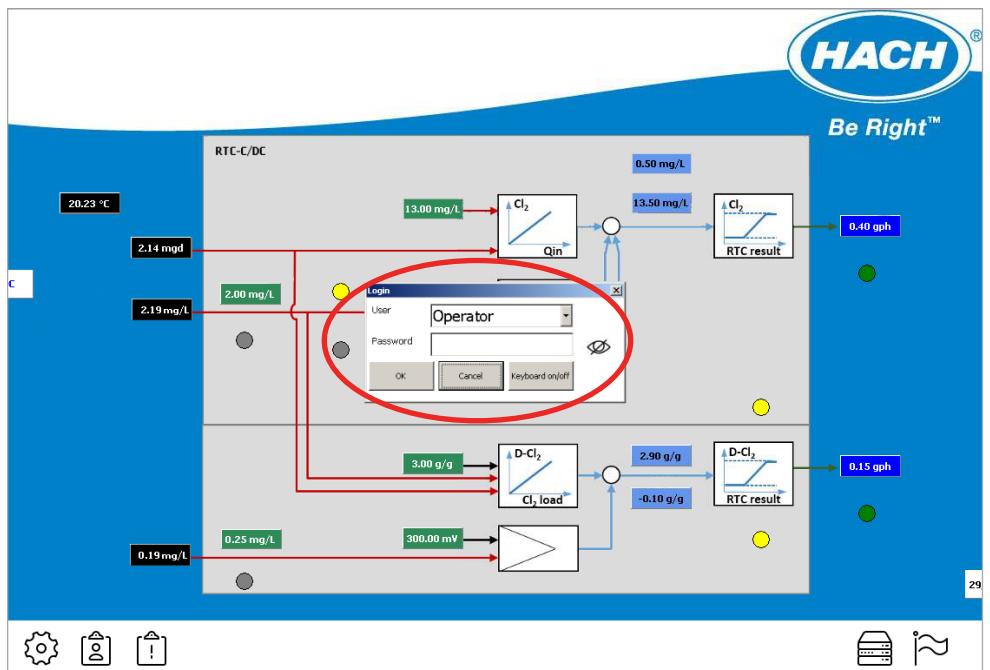
Use the controls on the bottom to change the date, toggle between single-axis and multiple-axis display, and to enable the graph to refresh automatically.



Logging In:

There is a log of any changes made to the system.

- In order to make changes to set points, limits, or any other control settings, the user must first log in.
- Changes made to the settings do not go into effect until the "save" button is selected.
- If you do not want to save a change, log out, and choose the option NOT to save changes when prompted.



Maintenance:

It is important for any inputs to the system to be accurate and reliable. Our RTC optimization experts are available to assist if you have any doubts about a measurement, or any instrumentation that is in error. The below recommendations can help ensure the best possible input signals:

CL17 Maintenance:

- The colorimeter cell should be cleaned once per month when the reagents are replaced.
- The CL17 does not require calibration.
- Readings should be validated with a pocket colorimeter.

pH calibration:

- Most pH sensors should be calibrated frequently with standards. Frequency will depend on the application and age of the sensor.
- It is best to start with very frequent calibrations (daily) and then extend the time between calibrations if large changes are not observed.
- Many customers calibrate on a weekly or bi-weekly basis.

pH maintenance:

- Visually inspect the pH sensor during each calibration.
- Follow the preventative maintenance schedule recommended in the instrument manual.

HACH World Headquarters: Loveland, Colorado USA

United States: 800-227-4224 tel 970-669-2932 fax orders@hach.com
Outside United States: 970-669-3050 tel 970-461-3939 fax int@hach.com

hach.com

©Hach Company, 2015. All rights reserved.
In the interest of improving and updating its equipment, Hach Company reserves the right to alter specifications to equipment at any time.



Be Right™