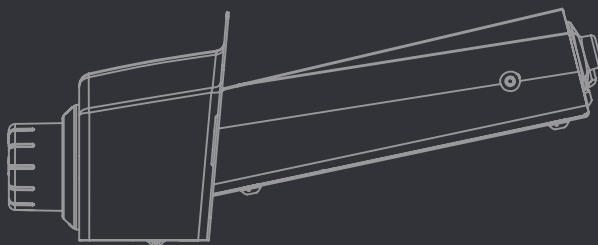




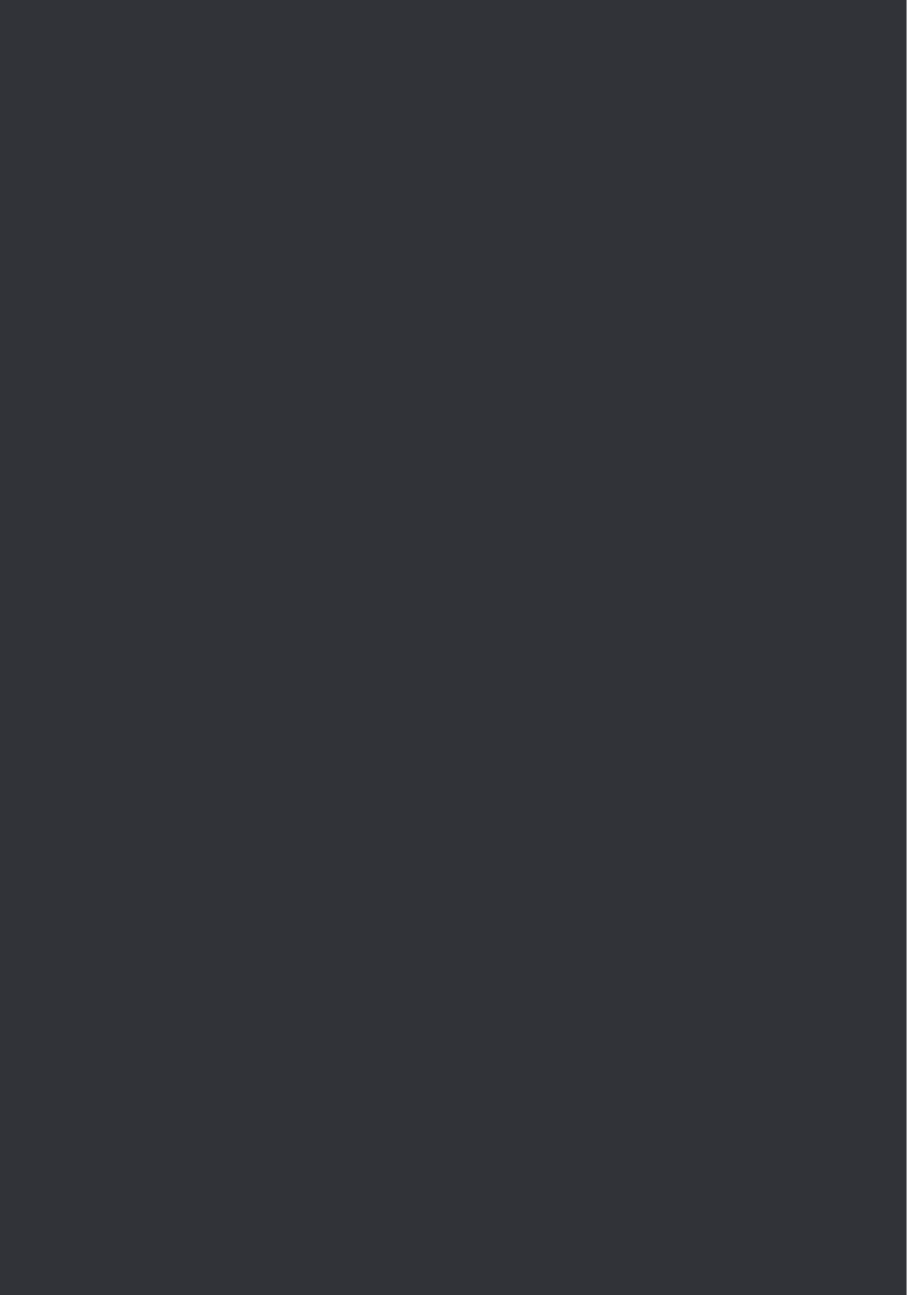
Gas Burner

for Ooni Karu 16

Manual



AUS

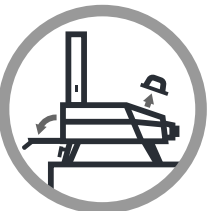


Gas Burner

for Ooni Karu 16



Stand to side when relighting - never look directly into the oven or at the flame.



Always ensure the Ooni Karu 16 door is open, and the fuel hatch is off, when lighting or relighting.

⚠ WARNING

To reduce the risk of fire, burn hazard or other injury, read this safety manual carefully and completely before using this appliance.

⚠ WARNING

Before cleaning, make sure the gas supply and control knob is in the OFF position and that the burner and oven has cooled.

⚠ DANGER

Never operate this appliance unattended. If a fire should occur, keep away from the appliance and immediately call your fire department. Do not attempt to extinguish an oil or a grease fire with water.

⚠ DANGER

If you smell gas:

- Shut off gas to the appliance
- Extinguish any open flame
- If odor continues, keep away from the appliance and immediately call your gas supplier or your fire department.

Failure to follow these instructions could result in fire, explosion or burn hazard which could cause property damage, personal injury or death.

⚠ WARNING

Use in a well-ventilated location.

⚠ WARNING

- a. Keep the fuel supply hose away from any heated surface(s).
- b. The use of alcohol, prescription or non-prescription drugs may impair the consumer's ability to properly assemble or safely operate the appliance.
- c. Keep children and pets away from the appliance at all times.
- d. Do not move the appliance when in use.
- e. This appliance is not intended for and should never be used as a heater.

⚠ WARNING

Spiders and insects can nest inside the burner of the appliance and disrupt gas flow. Inspect the burner at least once a year.

⚠ WARNING

When using a match to light the appliance, make sure to use the included matchstick holder.

⚠ WARNING

Keep the fuel supply hose away from any heated surface(s).

⚠ WARNING

Turn off the gas supply at the gas cylinder after use.

⚠ WARNING

Do not store this appliance indoors unless the gas cylinder is disconnected.

⚠ WARNING

Do not store gas cylinder in a building, garage or any other enclosed area and keep out of reach of children at all times.

⚠ WARNING

This appliance is not intended to be installed in or on recreational vehicles and/or boats.

⚠ WARNING

Check all gas supply fittings for leaks before each use. Do not use the appliance until all connections have been checked and do not leak.

⚠ WARNING

Do not smoke while leak testing. Never leak test with an open flame.

⚠ WARNING

When lighting, keep your face and hands as far away from the appliance as possible.

⚠ WARNING

Minimum clearance from sides of unit to combustible construction is 610mm (24 inches).

Minimum clearance from back of unit to combustible construction is 915mm (36 inches).

⚠ WARNING

This instruction manual contains important information necessary for the proper assembly and safe use of the appliance. Read and follow all warnings and instructions before assembling and using the appliance. Follow all warnings and instructions when using the appliance. Keep this manual for future reference.

⚠ WARNING

This manual states that an oven, fryer or broiler shall not be used on or under any apartment or condominium balcony or deck.

⚠ WARNING

This appliance is not intended to be installed in or on a boat. This appliance is not intended to be installed in or on a recreational vehicle.

⚠ WARNING

This appliance must be kept away from flammable materials during use

⚠ WARNING

This manual includes an instruction to clean and inspect the hose before each use of the appliance. If there is evidence of abrasion, wear, cuts, or leaks, the hose must be replaced prior to the appliance being put into operation. The replacement hose assembly shall be that specified by the manufacturer.

⚠ WARNING

This appliance shall be used only outdoors, and shall not be used in a building, garage, or any other enclosed area.

⚠ WARNING

Please ensure there is a distance of at least 3.5" / 90mm between the edges of any of the oven legs and the edge of the table surface.

WARNING

This manual includes a list of required parts necessary for the safe operation of the appliance, directions for proper assembly and for assembly of installed parts and accessories supplied with the appliance, and proper procedures for gas leak testing.

WARNING

The appliance should not be located or used under overhead unprotected combustible construction materials or surfaces. For a grill, fryer or broiler, the minimum clearance shall be at least 10ft (3m) from any structure or combustible material.

WARNING

Make sure the legs on Ooni Karu 16 are fully extended before use.

WARNING

To prevent shock, Do not to touch the electrode tip when igniting the burner.

WARNING

Ensure the ceiling vent and chimney vent are fully open during use.

WARNING

Do not adjust the ceiling vent or chimney vent during use.

WARNING

Keep away from hot exhaust gases coming from the chimney.

WARNING

DO NOT SPRAY AEROSOLS IN THE VICINITY OF THIS APPLIANCE WHILE IT IS IN OPERATION. DO NOT USE OR STORE FLAMMABLE MATERIALS IN OR NEAR THIS APPLIANCE. DO NOT PLACE ARTICLES ON OR AGAINST THIS APPLIANCE. DO NOT MODIFY THIS APPLIANCE.

WARNING

The replacement hose assembly must be certified to AS/ NZS1869 and AS4621, with 5/8-18 UNF thread.

LP GAS CYLINDER WARNING

1. Do not store spare liquid propane gas cylinder under or near this appliance.
2. Never fill the cylinder beyond 80 percent capacity.
3. Liquid propane cylinder must be fitted with an OVERFILL PROTECTION DEVICE (OPD).
4. If the information above is not followed exactly, a fire resulting in death or serious injury may occur.

BEFORE LIGHTING

Inspect the gas supply hose prior to turning on the gas. If there is evidence of cut, wear or abrasion, it must be replaced prior to use. Screw the regulator onto the gas cylinder. Leak check the hose and regulator connections with a soap and water solution before lighting the appliance.

Only the pressure regulator and gas hose assembly supplied with this appliance should be used.

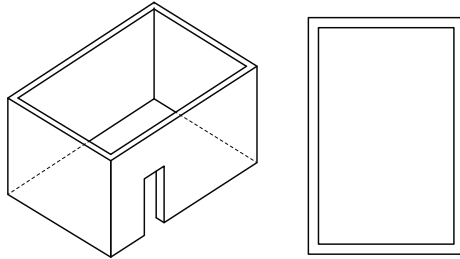
SAFETY PRACTICES TO AVOID INJURY

When properly cared for, your oven will provide safe, reliable service for many years. However, extreme care must be used as the oven produces intense heat that can increase the risk of accidents.

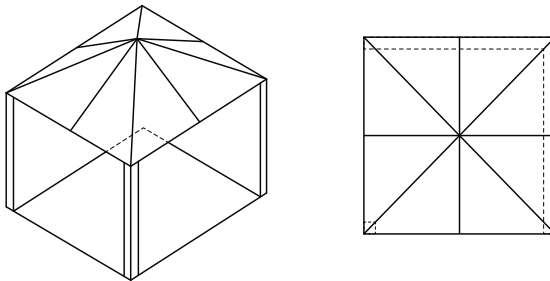
When using this oven basic practices must be followed, including but not limited to following:

- Do not repair or replace any part of the oven unless specifically recommended in this manual. All other service should be referred to a qualified technician.
- Children should not be left alone or unattended in an area where the oven is being used. Do not allow children to sit, stand or play around the oven at any time.
- Never let clothing or other flammables come in contact with or too close to any burner or hot surface until it has cooled. The fabric could ignite, causing serious personal injury.
- For personal safety, wear proper apparel. Loose fittings garments or sleeves should never be worn while using the oven. Some synthetic fabrics are highly flammable and should not be worn while cooking.
- Do not heat unopened food containers as a build-up of pressure may cause the containers to burst. When lighting the burner, always pay close attention to what you are doing.
- When using the oven, do not touch the outer shell, stone baking board or immediate surroundings as these areas become extremely hot and could cause burns.
- Do not use the oven to cook extremely fatty meats or other products which increase flare-up.
- Keep the area surroundings the oven free from combustible material including fluids, trash and vapours such as gasoline or charcoal lighter fluid.
- Do not obstruct the flow of combustion and ventilation air.
- Never use the oven in extremely windy conditions.
- The temperature under the oven is high. Do not place the oven on a table with flammable table clothes, plastic or any other inflammable materials.
- When an appliance is intended to be permanently installed, that the installation shall only be carried out by a registered installer and that such installations shall comply with the requirements of SANS 10087-1 or SANS 827, as applicable.

Diagrammatical Representation of Outdoor Areas



• *Outdoor Area - Example 1*



• *Outdoor Area - Example 2*

This appliance shall only be used in an above ground open-air situation with natural ventilation, without stagnant areas, where gas leakage and products of combustion are rapidly dispersed by wind and natural convection.

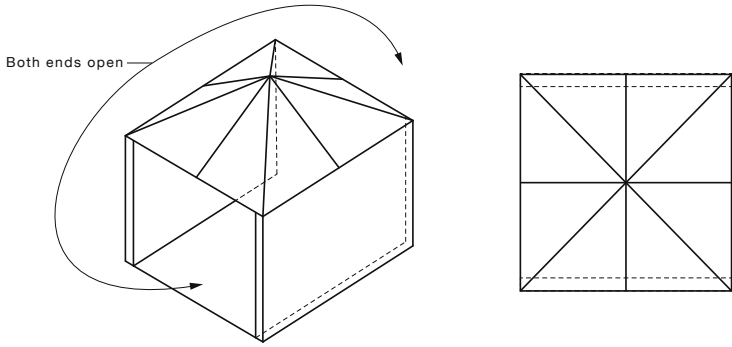
Any enclosure in which the appliance is used shall comply with one of the following:

An enclosure with walls on all sides, but at least one permanent opening at ground level and no overhead cover or within a partial enclosure that includes an overhead cover and no more than two walls.

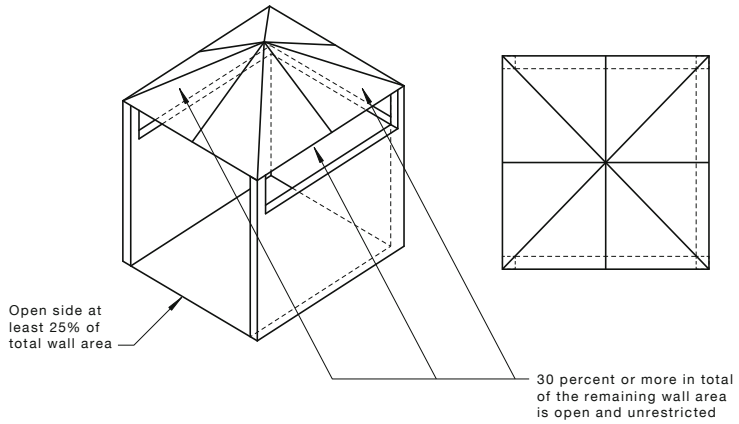
Within a partial enclosure that includes an overhead cover and more than two walls, the following shall apply:

- (i) at least 25% of the total wall area is completely open; and
- (ii) at least 30% of the remaining wall area is open and unrestricted.

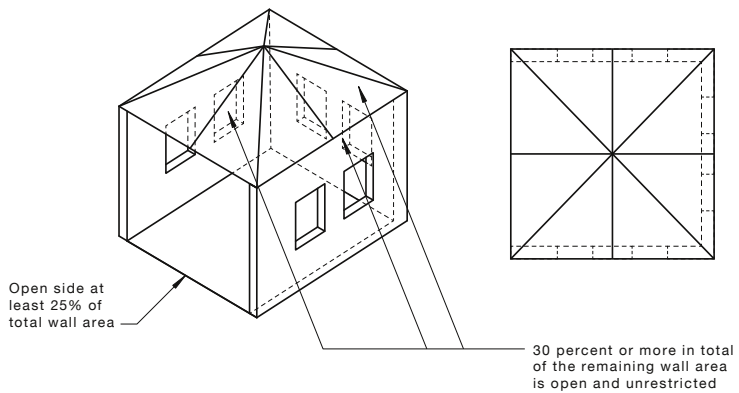
In the case of balconies, at least 20% of the total of the side, back and front wall areas shall be and remain open and unrestricted.



• Outdoor Area - Example 3



• Outdoor Area - Example 4



• Outdoor Area - Example 5

Step 1

Install hose pipe (if required)

Regulators and hose connections will vary depending on your region.

If your Ooni Gas Burner or Ooni Karu 16 has a threaded female hose end follow Step 1a. The hose may be preassembled.

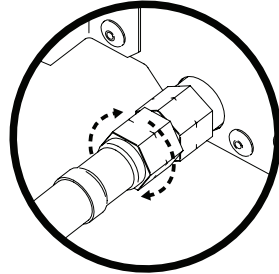
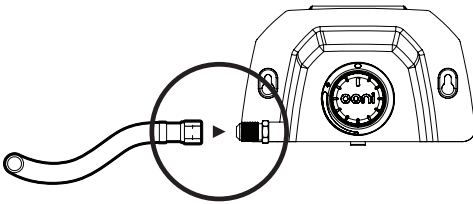
If your Ooni Gas Burner or Ooni Karu 16 has a threaded barb and regular hose with a hose clip follow Step 1b then 1c.

If your Ooni Gas Burner or Ooni Karu 16 has a regular hose with a hose clip follow Step 1c.

If your Ooni Gas Burner or Ooni Karu 16 has the hose preinstalled continue to Step 2.

Step 1a

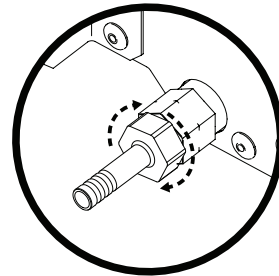
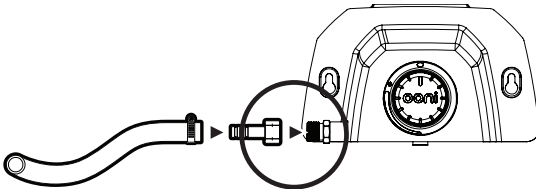
Tighten with suitable wrenches



! Tighten counter-clockwise in EU.

Step 1b

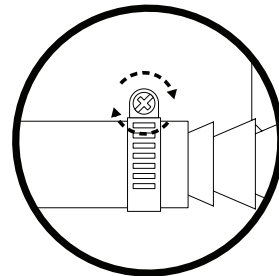
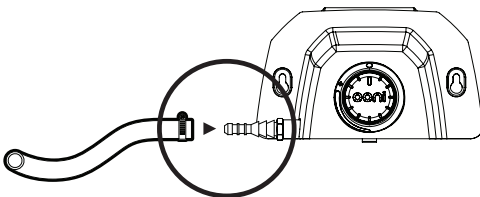
Tighten with suitable wrenches then follow Step 1c.



! Tighten counter-clockwise in EU.

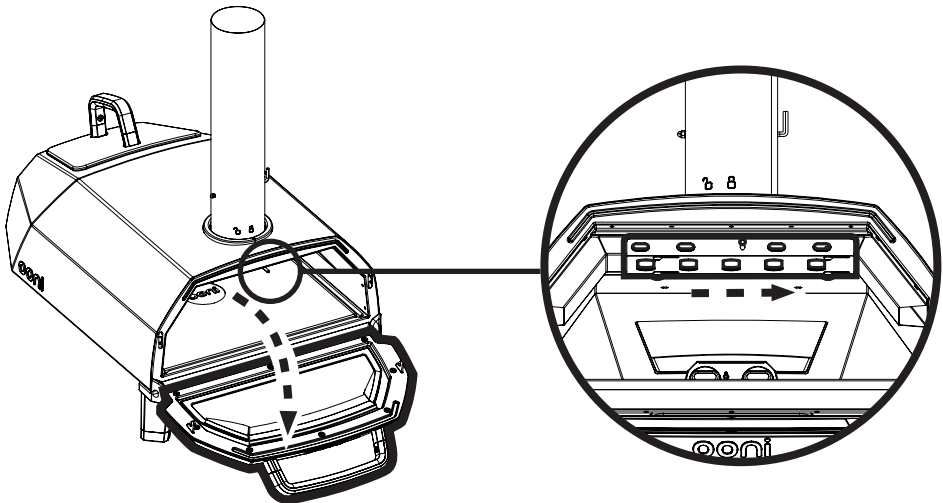
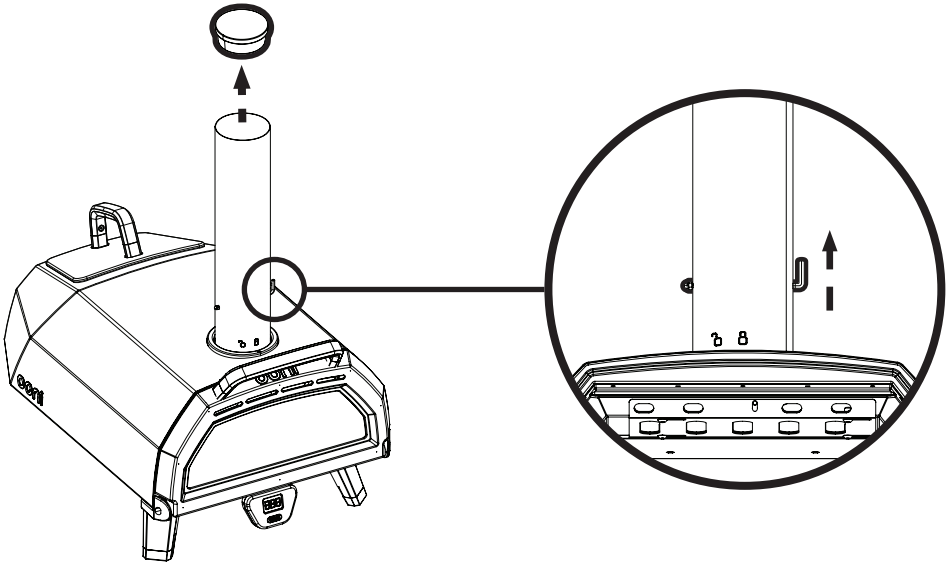
Step 1c

Tighten with suitable screwdriver.



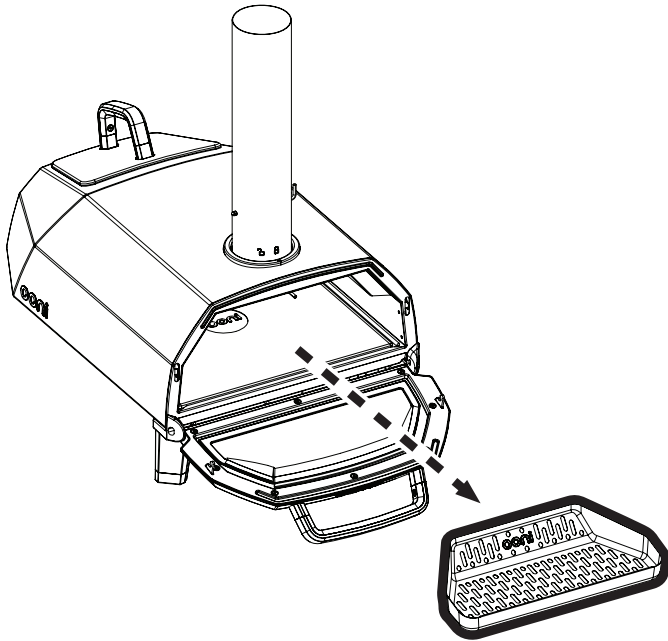
Step 2

- a. Remove chimney cap.
- b. Open chimney baffle.
- c. Open door and slide ceiling vent to open.

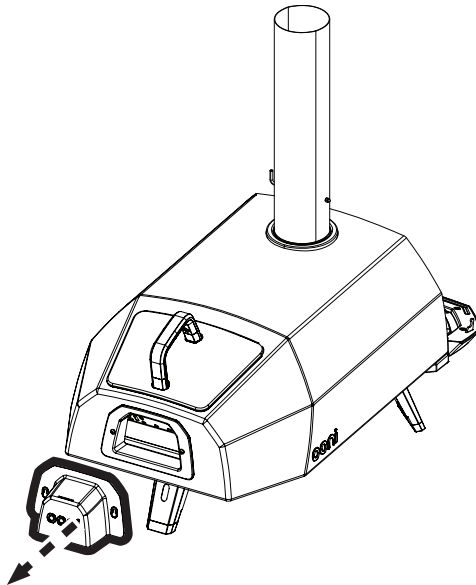
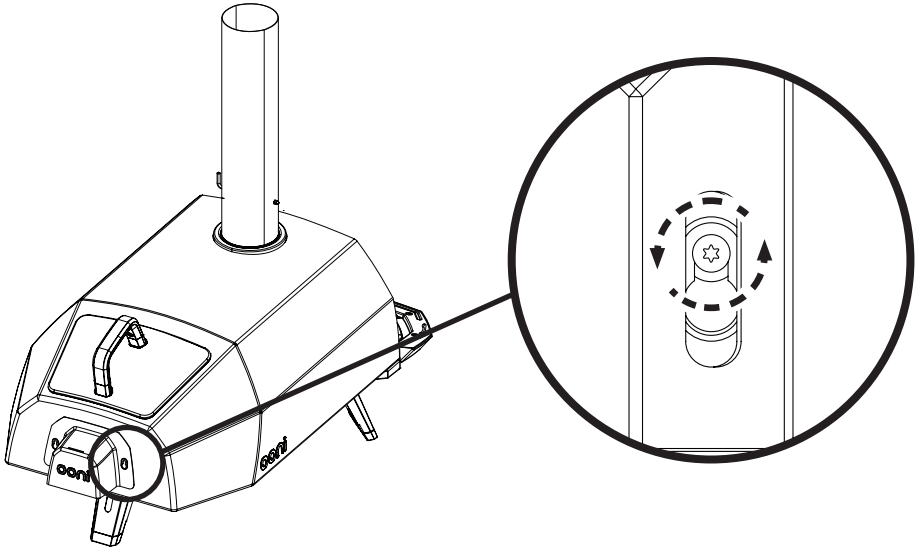


! Ensure the ceiling vent and chimney vent are fully open during use.

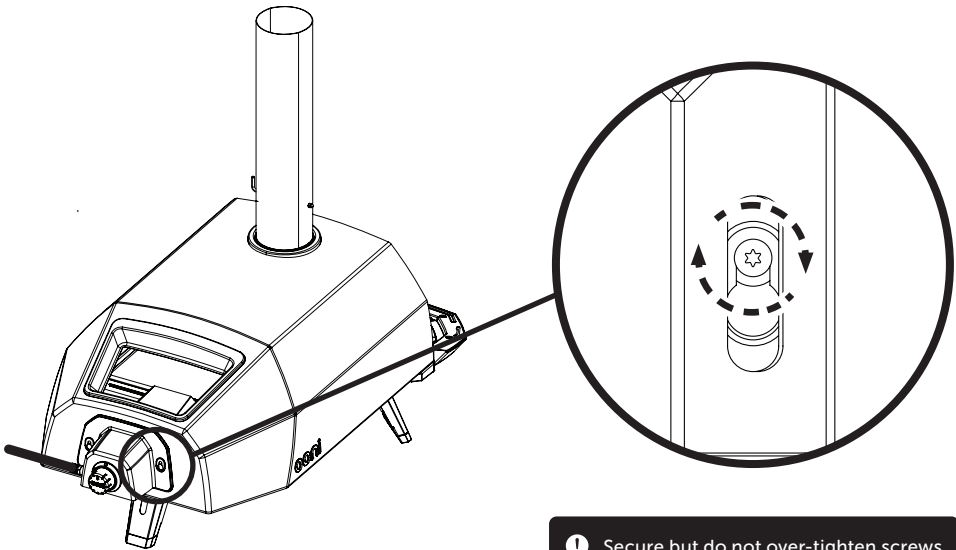
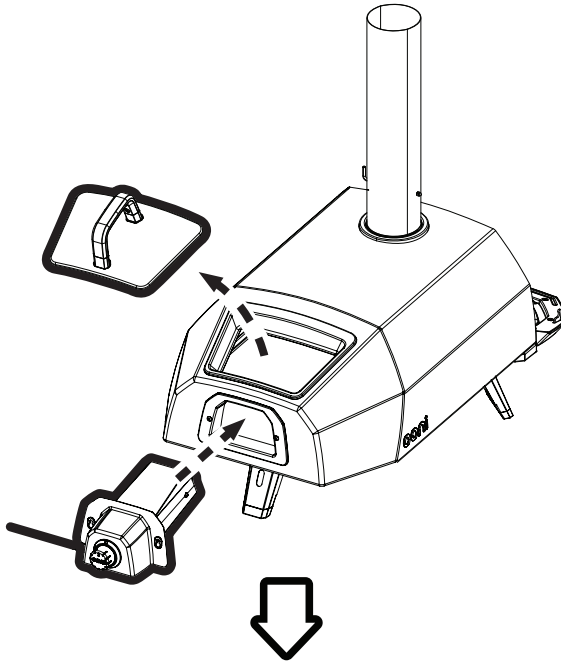
Step 3
Remove the fuel tray and grate



Step 4
Remove the back draft defender plate



Step 5
Remove the hatch and insert the gas burner



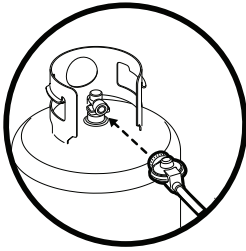
! Secure but do not over-tighten screws

Step 6

Connect to gas canister

⚠ WARNING

- Please always keep the gas bottle in upright position.
- If the appliance is not in use, the gas must be turned off at the supply cylinder.
- The cylinder used must include a collar to protect the cylinder valve.
- The minimum distance for the appliance and the 4.9kg gas cylinder is 25 inches apart.



POL gas regulator

This is an anticlockwise threaded gas fitting. Ensure the tank is fully turned off and screw the regulator on to the gas tank valve fitting until tight.

CONNECTING THE LIQUID PROPANE GAS CYLINDER

1. To connect the liquid propane gas cylinder:
2. The cylinder valve should be in **OFF** position.
3. Make sure the burner valve is in **OFF** position.
4. Inspect the valve connections, port and regulator assembly. Remove debris and inspect the hose for damage.
5. When connecting the regulator assembly to the valve, use your hand to tighten the nut counterclockwise until it stops. Use of a wrench could damage the quick coupling nut and result in a hazardous situation.
6. Open the cylinder valve fully by turning the valve counterclockwise.
7. Before lighting the oven, use a soap and water solution to check all connections for leaks.
8. If a leak is found, turn the cylinder valve **OFF**, and do not use the oven until local liquid propane dealer can make repairs.

DISCONNECTING THE LIQUID PROPANE GAS CYLINDER

1. Turn the oven burner valve **OFF** and make sure the oven is cool.
2. Turn the liquid propane cylinder valve **OFF** by turning clockwise until it stops.
3. Detach the regulator assembly from the cylinder valve by turning the quick coupling nut counter-clockwise.
4. Place dust cap for cylinder valve outlet whenever the cylinder is not in use.

Leak Testing

General

Although the gas connections of the appliance are leak tested prior packing and shipment, a complete test must be performed at the installation site.

Before each use, check all the gas connections for leak testing using the procedure listed below. If the smell of gas is detected at any time, you should immediately stop using and check the entire system for leaks.

Before testing

Make sure all packing material has been removed from the appliance.

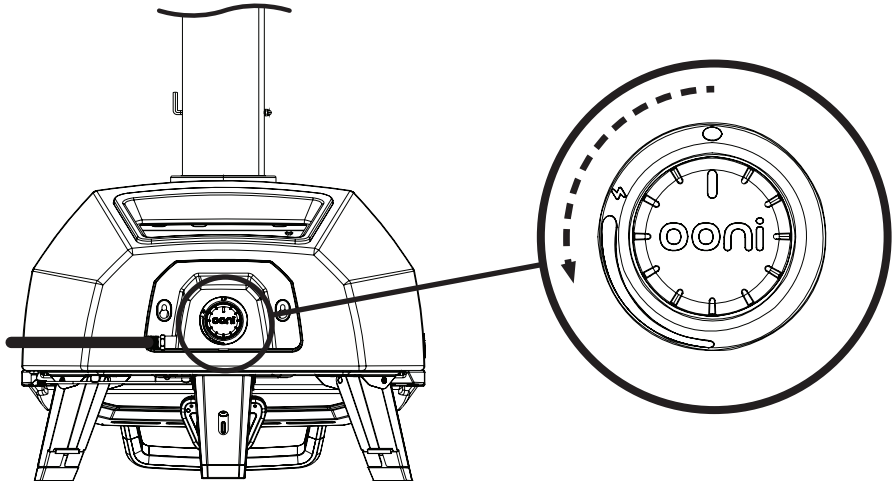
Make a solution of one part liquid detergent and one part water. You will need a spray bottle, brush or rag to apply the solution to the fittings.

To test

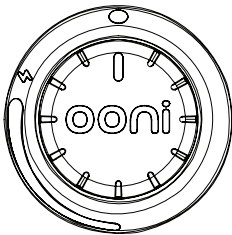
1. Turn the burner valve OFF
2. Turn the liquid propane cylinder valve on counter-clockwise to open the valve.
3. Apply the soap solution to all gas fittings. Soap bubbles would appear where a leak is present.
4. If a leak is present, immediately turn the gas supply OFF and tighten leaky fittings.
5. Turn the gas back ON and recheck.
6. Should the gas continue to leak from any of the fittings, turn the gas supply OFF and contact customer service.

Step 7 Ignition

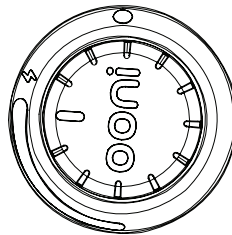
1. Turn on the gas at the gas canister.
2. Push in and turn the button anticlockwise until it clicks. Do not turn too quickly. From press to click should take about 3 seconds
3. Hold in button for 5 seconds, then release.



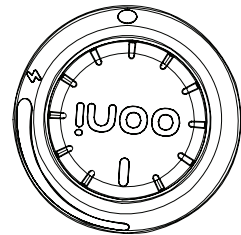
Off



Maximum power



Minimum power



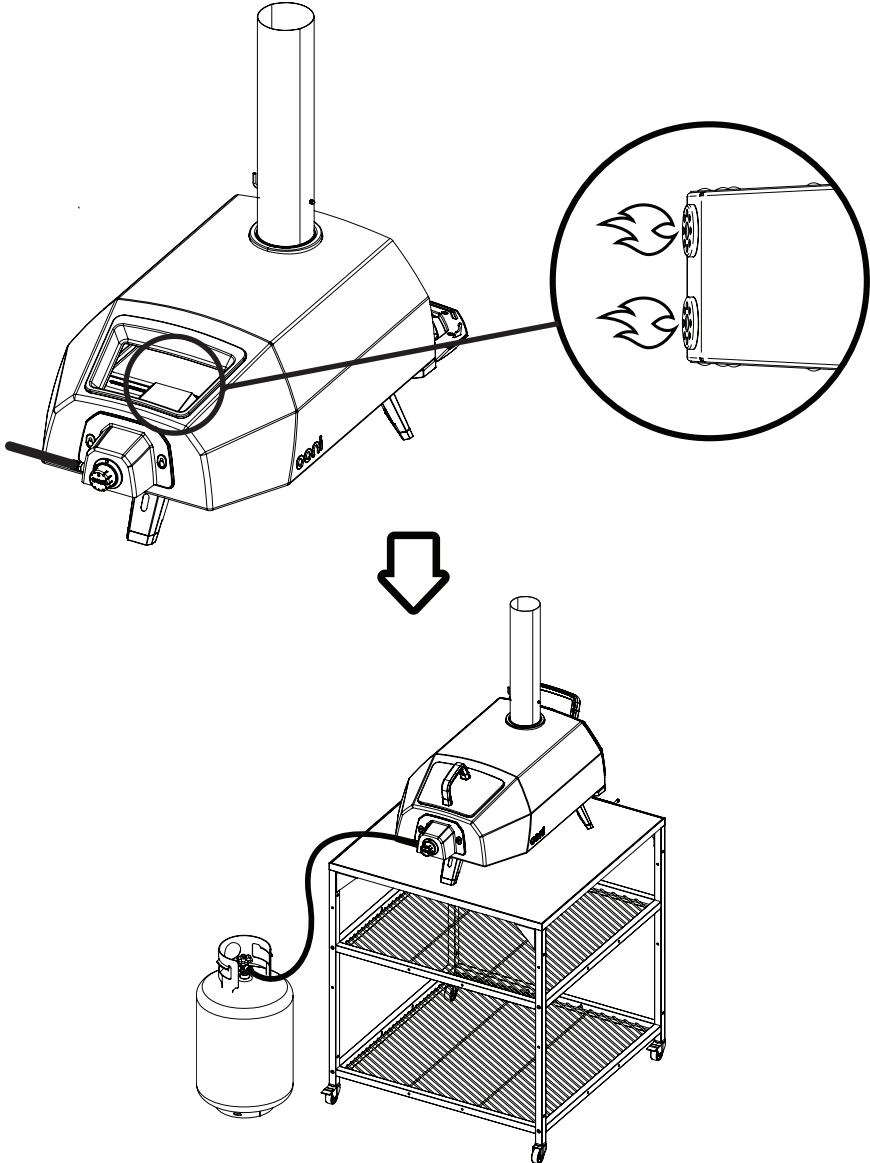
! Always remove the hatch and open the door when lighting the gas burner

! Stand clear of the oven when igniting - ensure nobody is within 1 metres (3ft) of the front of the oven. Maintain arms length from the oven when igniting, and do not lean over the oven fuel hatch when igniting.

Step 8

Verify that the gas burner has on

1. If the burner is on, replace the hatch and close the door.
2. If not, turn off the gas and go back to Step 7.
3. If the burner still does not ignite go to Step 9.

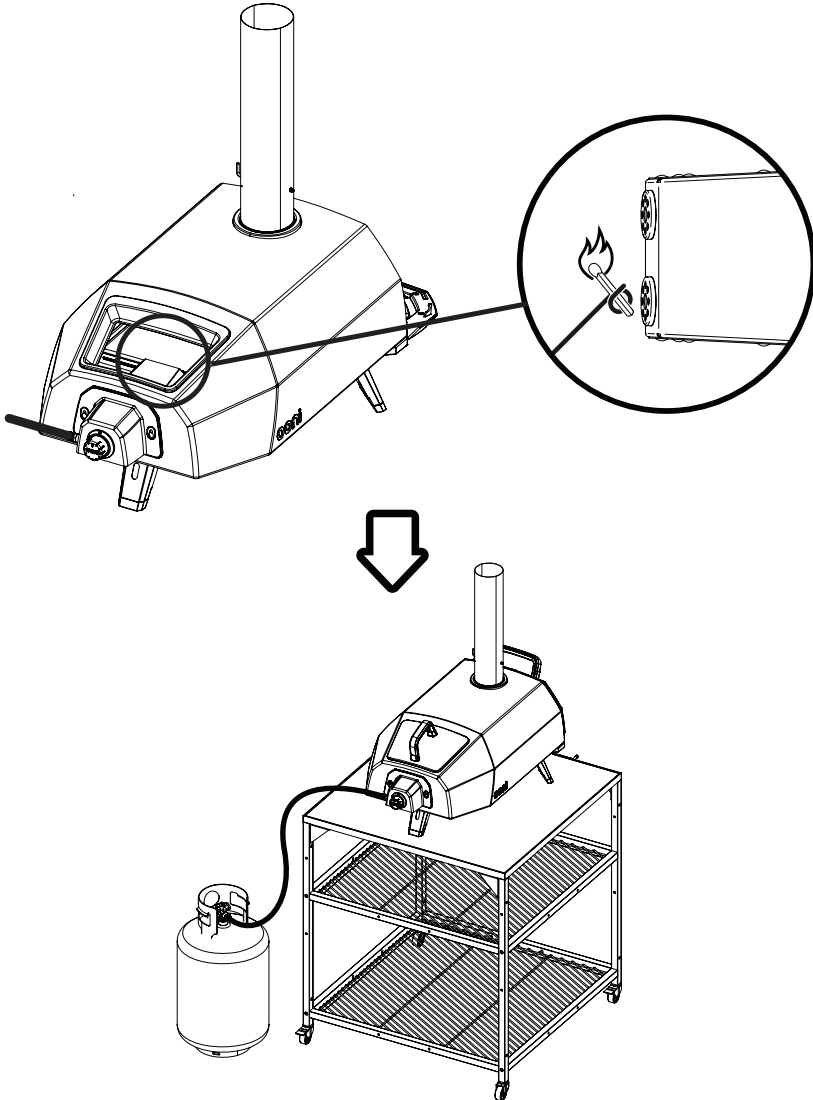


! Always route the gas hose away from the oven. The hose must not touch the oven body

Step 9

Ignition – using a match

If the burner still does not ignite; turn the gas on and light using a match and the supplied match holder through the hatch at the back of the oven. Hold it in front of the burners. Press and turn the knob as described in Step 7.



ⓘ Always route the gas hose away from the oven. The hose must not touch the oven body

ⓘ If the flames go out turn off the gas and wait 5 minutes before reigniting

Troubleshooting






Problem	Possible cause	Prevention / Solution
My oven isn't getting hot enough	<ol style="list-style-type: none"> 1. Empty gas bottle 2. Cracking or leaking on the hose 3. Regulator improperly fixed 4. Operation in extreme conditions 	<ol style="list-style-type: none"> 1. Check the gas bottle is full, even a bottle with little gas inside may affect the gas burner performance 2. Ensure there is no cracking or leaking on the hose 3. Ensure the regulator is properly fixed to the gas bottle and the hose is firmly attached to the gas burner tightened using appropriate sized wrenches as outlined in the instruction manual 4. Your gas burner and oven should not be used in extreme conditions (eg high wind)
My gas burner will not ignite	<ol style="list-style-type: none"> 1. Improper set-up 2. Empty gas bottle 3. Cracking or leaking from the hose 4. Improper lighting technique. 5. Regulator improperly fixed 6. Improper alignment of the sparker 	<ol style="list-style-type: none"> 1. Ensure the chimney cap is removed and the ceiling vents and chimney vent are open. The door should be open. 2. Check the gas bottle is full, even a bottle with little gas inside may affect the gas burner performance 3. Ensure there is no cracking or ing on the hose 4. Turning the dial too quickly may prevent the gas burner from lighting. 5. Ensure the regulator is properly fixed to the gas bottle and the hose is firmly attached to the gas burner tightened using appropriate sized wrenches as outlined in the instruction manual 6. Reposition the sparker tip so it is 2-3 mm away from the front of the burner cap.
My flame is too yellow / too blue	Variation in the environment, the food you cook, ambient temperature and condition of your Ooni oven may effect the colour of your flame	The colour of your flame will not affect the taste or quality of your food.
My FSD is not functioning correctly	There may be soot build up on my FSD probe	Ensure the gas burner and gas supply is switched off, wait for the burner to cool down, gently clean the probe and burner holes with damp cloth, leave the burner to fully dry before re-lighting.
Gas burner for Ooni will not maintain it's flame	<ol style="list-style-type: none"> 1. Lack of oxygen 2. Oven placed on an uneven surface 	<ol style="list-style-type: none"> 1. Open the chimney vent of your Ooni Karu 16 to encourage better airflow through the oven 2. If your Ooni is on a slant when set up, the oxygen will not flow as well. Try to set up on a flat surface.
I can hear a 'roaring sound' coming from the Gas burner and my flames are very weak	Flame is burning within the ventures	Switch off the gas supply and the gas burner immediately, wait 5 minutes and relight the gas burner.

Product technical information

Model number

Ooni Karu 16 Gas Burner

Product label

	IAPMO R&T Oceana AS/NZS 5263.1.7	Certificate Number GMK10736
Ooni Limited, Unit 5 Bishopsgate Business Park, 189 West Main Street, Broxburn, West Lothian, Scotland, EH52 5LH	Propane	 
	2.75 kPa 26.3 MJ/h (7.3 kW)	
Ooni Karu 16 Gas Burner	1.04 mm	
<p>Minimum clearance from sides of unit to combustible construction is 610mm (24 inches). Minimum clearance from back of unit to combustible construction is 915mm (36 inches).</p> <p>LIGHTING INSTRUCTION - TO LIGHT THE BURNER</p> <p>Make sure the control knob is in OFF position, and then turn the liquid propane cylinder valve ON by slowly turning counterclockwise.</p> <p>Push in and slowly turn the control knob anticlockwise until you hear a click and the burner ignites.</p> <p>If the burner doesn't light, turn the knob OFF, wait 5 minutes and repeat the lighting.</p> <p>FOR STORAGE AND CYLINDER EXCHANGE, DISCONNECT THE CYLINDER ONLY. DO NOT DISCONNECT HOSE FROM THE APPLIANCE</p>		
 <p>⚠ Stand to side when relighting - never look directly into the oven or at the flame.</p>  <p>⚠ Always ensure the Ooni Karu 16 door is open, and the fuel hatch is off, when lighting or relighting.</p>		SN

Injectors

Injector marking: **1.04 mm**

Marking: **(Marked 1.04)**

When the diameter of the injector is 1.04 mm use the provided 2.8 kPa regulator with Propane LPG cylinder.



WARNING:

- Do not spray aerosols in the vicinity of this appliance while it is in operation.
- Do not use or store flammable materials in or near this appliance.
- Do not place articles on or against this appliance. Do not modify this appliance

OUTDOOR USE ONLY



DO NOT OPERATE THIS APPLIANCE BEFORE READING THE INSTRUCTION BOOKLET

DO NOT PLACE ARTICLES ON OR AGAINST THIS APPLIANCE

DO NOT STORE CHEMICALS OR FLAMMABLE MATERIALS, OR SPRAY AEROSOLS NEAR THIS APPLIANCE

DO NOT OPERATE THE APPLIANCE INDOORS

DO NOT OPERATE IN AN ENCLOSED AREA

DO NOT OPERATE THIS APPLIANCE BEFORE LEAK CHECKING HOSES AND GAS CYLINDER CONNECTION

OONI KARU 16 GAS BURNER IGNITION INSTRUCTIONS

1. READ INSTRUCTIONS BEFORE USE
2. ENSURE HOSE AND SEAL ARE LEAK TIGHT
3. ENSURE HATCH IS OFF
4. ENSURE CHIMNEY CAP IS ON
5. PUSH IN CONTROL KNOB AND SLOWLY TURN ANTI-CLOCKWISE UNTIL YOU HEAR A CLICK WHILE HOLDING IN FOR 5 SECONDS.
6. IF BURNER DOESN'T IGNITE WAIT 5 MINUTES FOR GAS TO DISSIPATE BEFORE TRYING AGAIN.
7. TURN OFF GAS SUPPLY AT THE CYLINDER AFTER USE.
8. TURN OFF APPLIANCE VALVE AFTER USE.

ooni.com

© 2021 Ooni

Ooni is a registered trademark of Ooni Ltd.

All rights reserved.