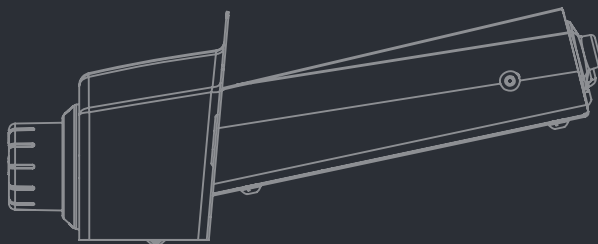


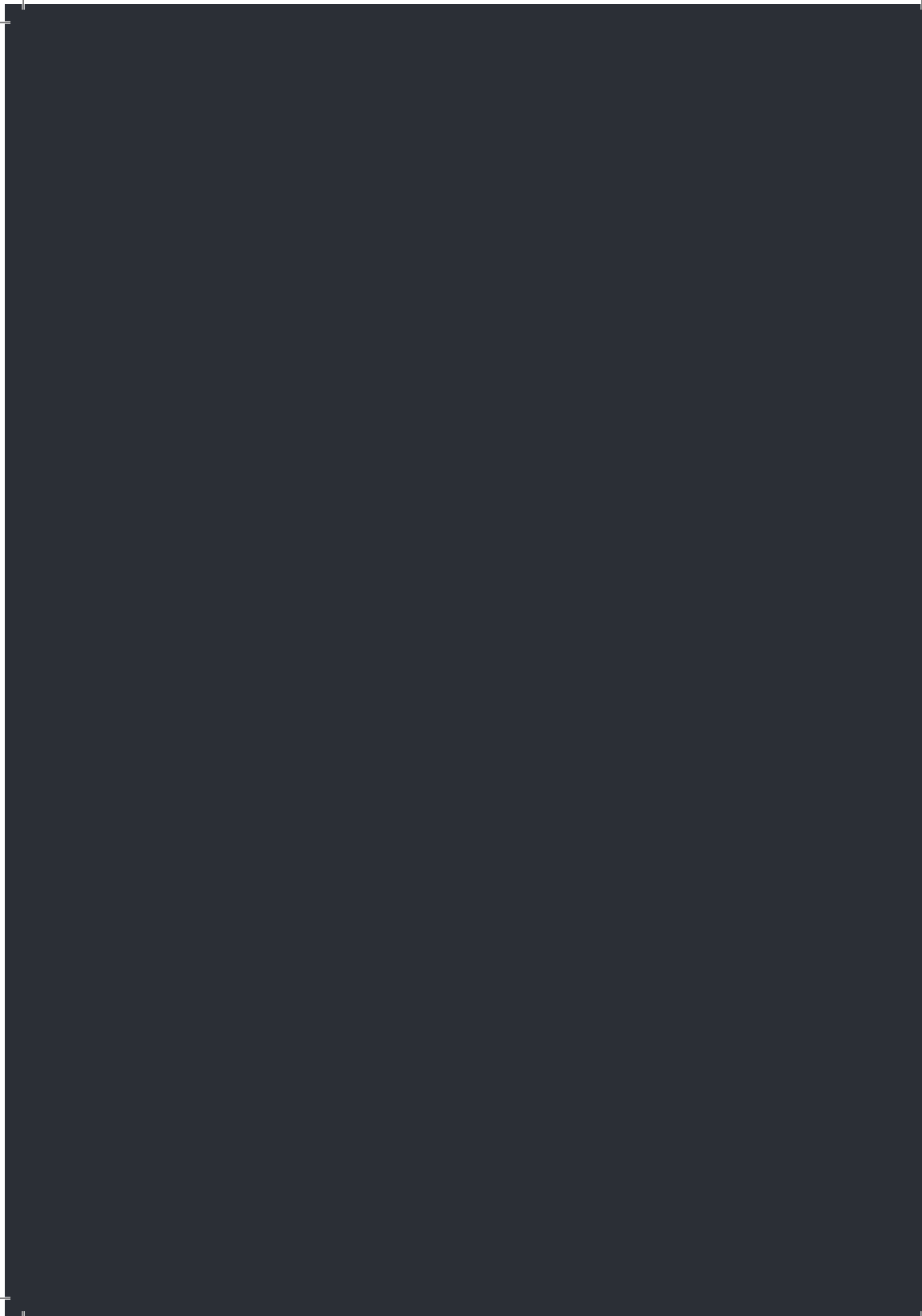


# Natural Gas Burner

for Ooni Karu 16

## Manual





# Gas Burner

for Ooni Karu 16

## Contents

EN .....	2
FR.....	17
ES.....	32

**⚠ WARNING**

To reduce the risk of fire, burn hazard or other injury, read this safety manual carefully and completely before using this appliance.

**⚠ WARNING**

Before cleaning, make sure the gas supply and control knob is in the OFF position and that the burner and oven has cooled.

**⚠ DANGER**

Never operate this appliance unattended. If a fire should occur, keep away from the appliance and immediately call your fire department. Do not attempt to extinguish an oil or a grease fire with water.

**⚠ DANGER**

If you smell gas:

- Shut off gas to the appliance
- Extinguish any open flame
- If odor continues, keep away from the appliance and immediately call your gas supplier or your fire department.

Failure to follow these instructions could result in fire, explosion or burn hazard which could cause property damage, personal injury or death.

**⚠ WARNING**

FOR OUTDOOR USE ONLY.

**⚠ WARNING**

- a. Keep the fuel supply hose away from any heated surface(s).
- b. The use of alcohol, prescription or non-prescription drugs may impair the consumer's ability to properly assemble or safely operate the appliance.
- c. Keep children and pets away from the appliance at all times.
- d. Do not move the appliance when in use.
- e. This appliance is not intended for and should never be used as a heater.

**⚠ WARNING**

Spiders and insects can nest inside the burner of the appliance and disrupt gas flow. Inspect the burner at least once a year.

**⚠ WARNING**

When using a match to light the appliance, make sure to use the included matchstick holder.

**⚠ WARNING**

Do not store this appliance indoors unless disconnected from the natural gas supply.

**⚠ WARNING**

This appliance is not intended to be installed in or on recreational vehicles and/or boats.

**⚠ WARNING**

Check all gas supply fittings for leaks before each use. Do not use the appliance until all connections have been checked and do not leak.

**⚠ WARNING**

Do not smoke while leak testing. Never leak test with an open flame.

**⚠ WARNING**

When lighting, keep your face and hands as far away from the appliance as possible.

**⚠ WARNING**

Minimum clearance from sides of unit to combustible construction is 610mm (24 inches).

Minimum clearance from back of unit to combustible construction is 915mm (36 inches).

**⚠ WARNING**

This instruction manual contains important information necessary for the proper assembly and safe use of the appliance. Read and follow all warnings and instructions before assembling and using the appliance. Follow all warnings and instructions when using the appliance. Keep this manual for future reference.

**⚠ WARNING**

This manual states that an oven, fryer or broiler shall not be used on or under any apartment or condominium balcony or deck.

**⚠ WARNING**

This appliance is not intended to be installed in or on a boat. This appliance is not intended to be installed in or on a recreational vehicle.

**⚠ WARNING**

Keep the fuel supply hose away from any heated surface(s).

**⚠ WARNING**

This manual includes an instruction to clean and inspect the hose before each use of the appliance. If there is evidence of abrasion, wear, cuts, or leaks, the hose must be replaced prior to the appliance being put into operation. The replacement hose assembly shall be that specified by the manufacturer.

**⚠ WARNING**

This appliance shall be used only outdoors, and shall not be used in a building, garage, or any other enclosed area.

**⚠ WARNING**

This manual includes a list of required parts necessary for the safe operation of the appliance, directions for proper assembly and for assembly of installed parts and accessories supplied with the appliance, and proper procedures for gas leak testing.

**⚠ WARNING**

The appliance should not be located or used under overhead unprotected combustible construction materials or surfaces. For a grill, fryer or broiler, the minimum clearance shall be at least 10ft (3m) from any structure or combustible material.

**⚠ WARNING**

Make sure the legs on Ooni Karu 16 are fully extended before use.

**⚠ WARNING**

To prevent shock, Do not to touch the electrode tip when igniting the burner.

**⚠ WARNING**

Ensure the ceiling vent and chimney vent are fully open during use.

**⚠ WARNING**

Do not adjust the ceiling vent or chimney vent during use.

**⚠ WARNING**

Keep away from hot exhaust gases coming from the chimney.

**⚠ WARNING**

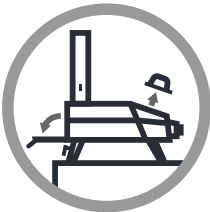
Please ensure there is a distance of at least 3.5" / 90mm between the edges of any of the oven legs and the edge of the table surface.

**⚠ NG GAS WARNING**

1. Please consult your local natural gas regulations or gas engineer to advise on how to attach this to your own natural gas outlet.
2. Consult a local gas specialist to assist with set up.
3. Failure to follow all instructions could result in serious injury and/or property damage.



Stand to side when relighting - never look directly into the oven or at the flame.



Always ensure the Ooni Karu 16 door is open, and the fuel hatch is off, when lighting or relighting.



Please consult your local natural gas regulations or gas engineer to advise on how to attach this to your own natural gas outlet

## Before lighting

Inspect the gas supply hose prior to turning on the gas. If there is evidence of cut, wear or abrasion, it must be replaced prior to use.

Leak check the hose and regulator connections with a soap and water solution before lighting the appliance.

Only the pressure regulator and gas hose assembly supplied with this appliance should be used.

## Safety practices to avoid injury

When properly cared for, your oven will provide safe, reliable service for many years. However, extreme care must be used as the oven produces intense heat that can increase the risk of accidents.

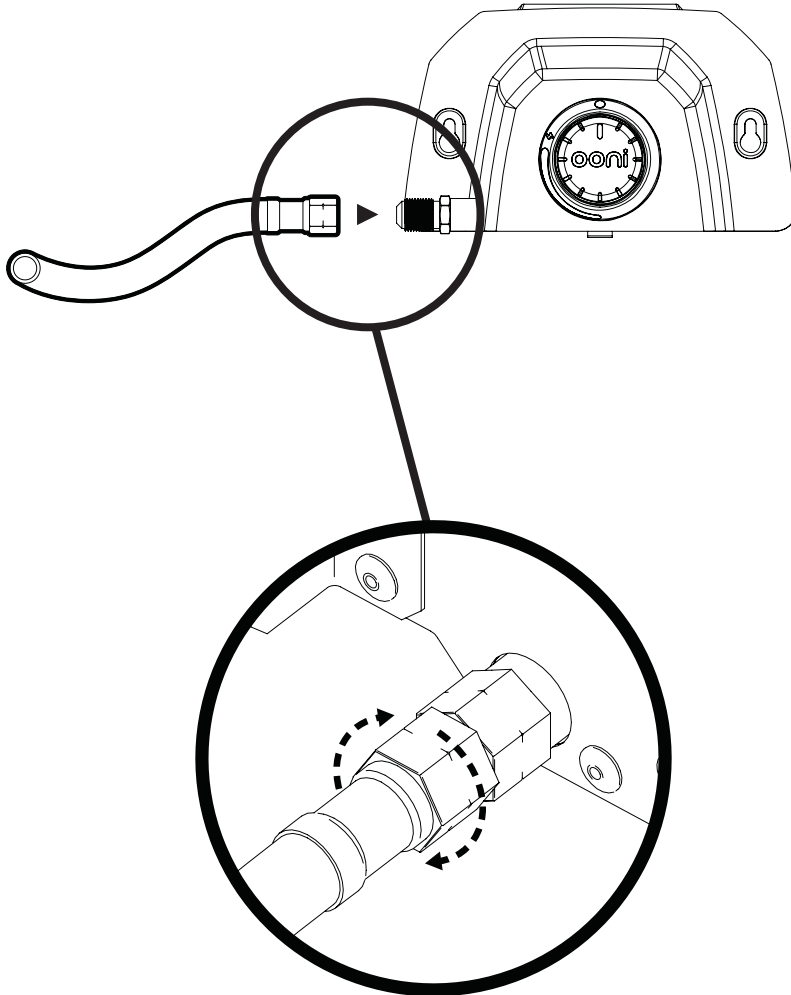
When using this oven basic practices must be followed, including but not limited to the following:

- Do not repair or replace any part of the oven unless specifically recommended in this manual. All other service should be referred to a qualified technician.
- Children should not be left alone or unattended in an area where the oven is being used. Do not allow children to sit, stand or play around the oven at any time.
- Never let clothing or other flammables come in contact with or too close to any burner or hot surface until it has cooled. The fabric could ignite, causing serious personal injury.
- For personal safety, wear proper apparel. Loose fittings garments or sleeves should never be worn while using the oven. Some synthetic fabrics are highly flammable and should not be worn while cooking.
- Do not heat unopened food containers as a build-up of pressure may cause the containers to burst. When lighting the burner, always pay close attention to what you are doing.
- When using the oven, do not touch the outer shell, stone baking board or immediate surroundings as these areas become extremely hot and could cause burns.
- Do not use the oven to cook extremely fatty meats or other products which increase flare-up.
- Keep the area surroundings the oven free from combustible material including fluids, trash and vapours such as gasoline or charcoal lighter fluid.
- Do not obstruct the flow of combustion and ventilation air.
- Never use the oven in extremely windy conditions.
- The temperature under the oven is high. Do not place the oven on a table with flammable table clothes, plastic or any other inflammable materials.

**Step 1**  
**Install hose pipe (if required)**

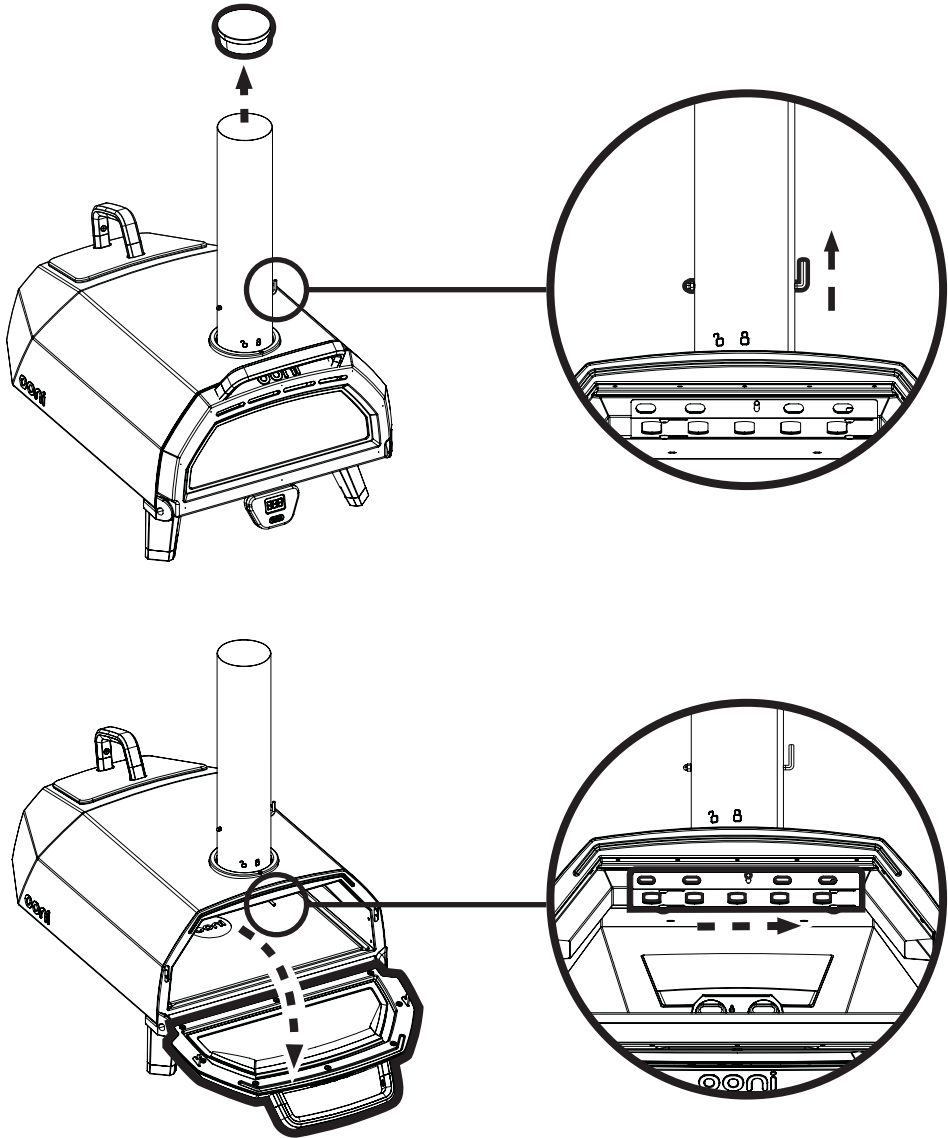
**Step 1a**

Tighten with suitable wrenches



## Step 2

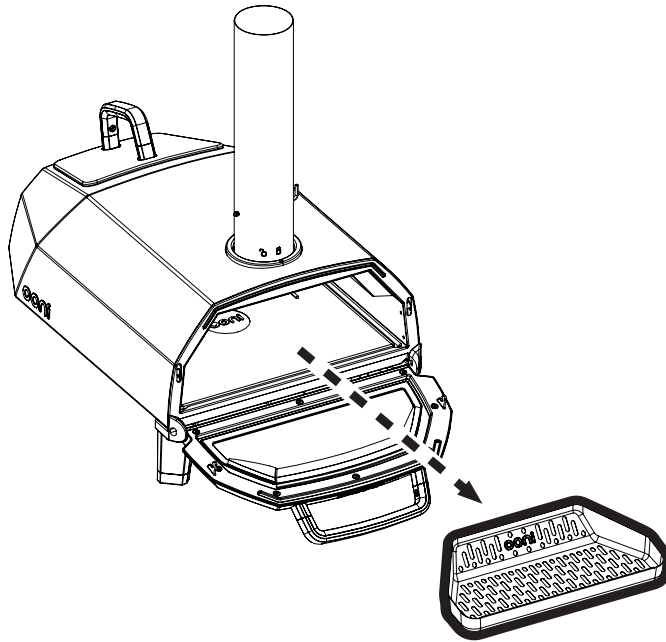
- a. Remove chimney cap.
- b. Open chimney baffle.
- c. Open door and slide ceiling vent to open.



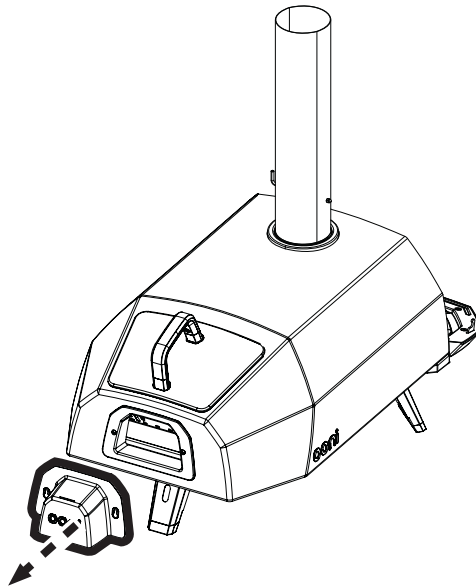
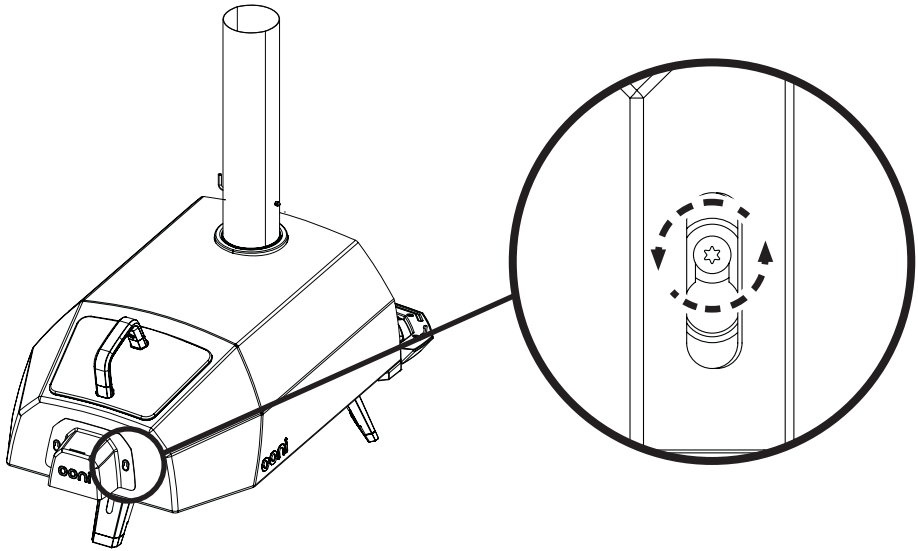
! Ensure the ceiling vent and chimney vent are fully open during use.



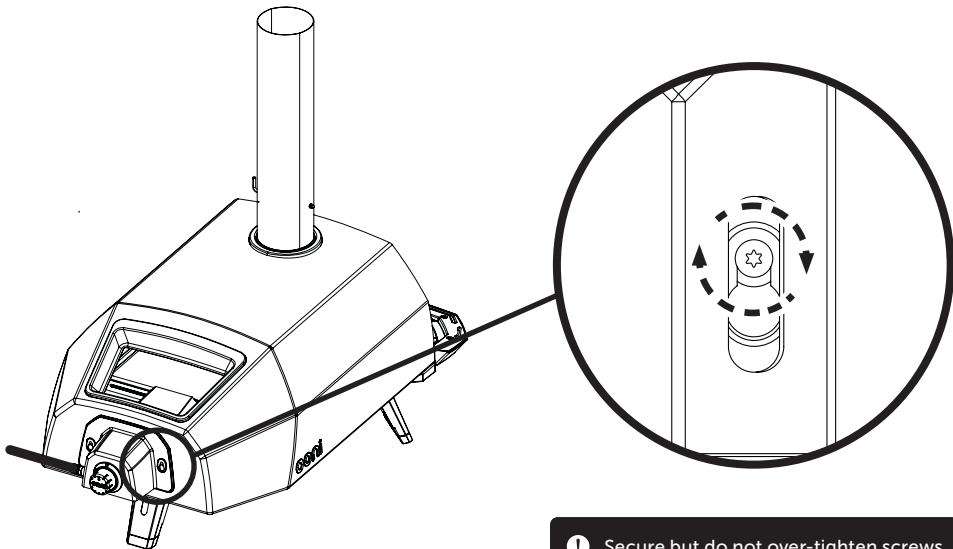
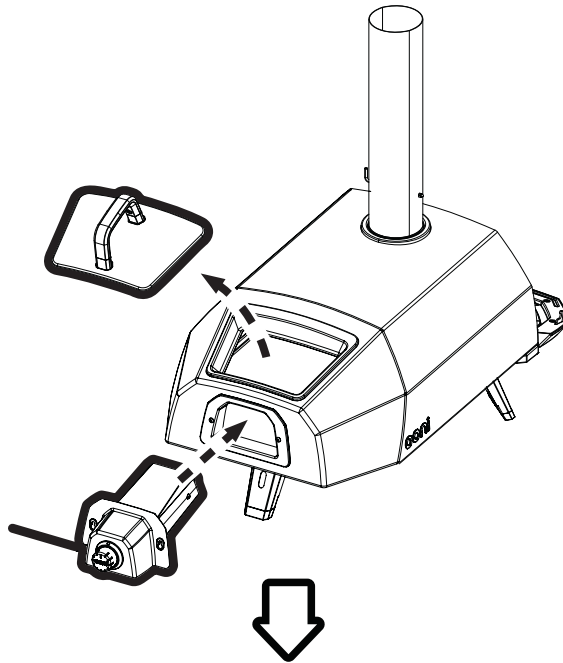
**Step 3**  
**Remove the fuel tray and grate**



**Step 4**  
**Remove the back draft defender plate**



**Step 5**  
**Remove the hatch and insert the gas burner**

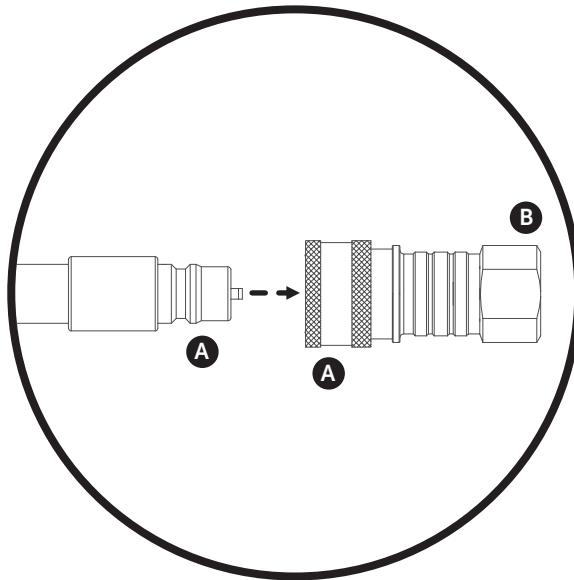


**!** Secure but do not over-tighten screws

## Attaching to natural gas supply

1. Connect **side A** of the natural gas hose into the **side A** of the quick connector.
2. Connect **side B** of the quick connector to your natural gas supply outlet with a 3/8" NPT male thread.

**You will need:**  
Supplied quick connector



Please consult your local natural gas regulations or gas engineer to advise on how to attach this to your own natural gas outlet

## **Leak Testing**

### **General**

Although the gas connections of the appliance are leak tested prior packing and shipment, a complete test must be performed at the installation site.

Before each use, check all the gas connections for leak testing using the procedure listed below. If the smell of gas is detected at any time, you should immediately stop using and check the entire system for leaks.

### **Before testing**

Make sure all packing material has been removed from the appliance.

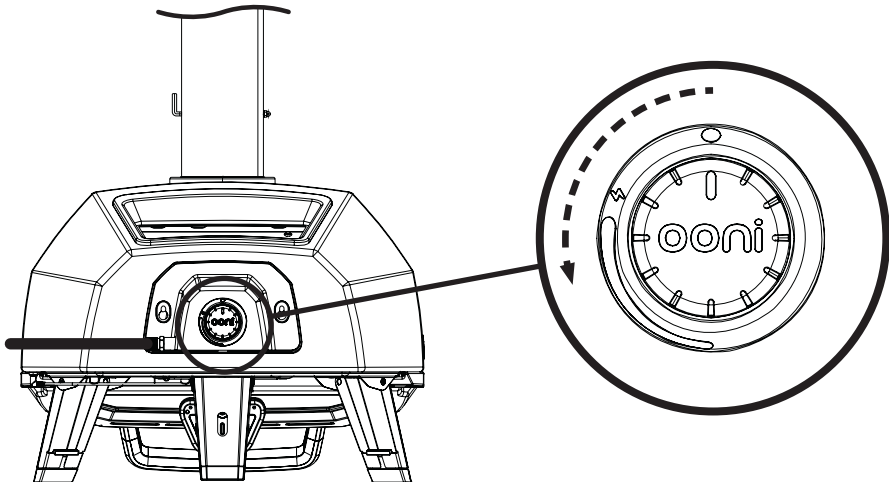
Make a solution of one part liquid detergent and one part water. You will need a spray bottle, brush or rag to apply the solution to the fittings.

### **To test**

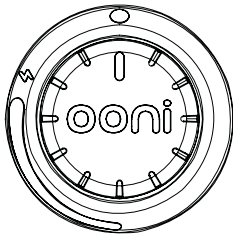
1. Turn the burner valve OFF
2. Turn on the natural gas supply.
3. Apply the soap solution to all gas fittings. Soap bubbles would appear where a leak is present.
4. If a leak is present, immediately turn the gas supply OFF and tighten leaky fittings.
5. Turn the gas back ON and recheck.
6. Should the gas continue to leak from any of the fittings, turn the gas supply OFF and contact customer service.

## Step 7 Ignition

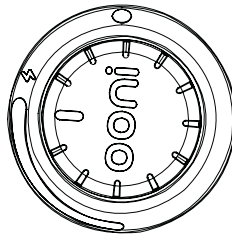
1. Turn on the natural gas supply.
2. Push in and turn the button counter-clockwise until it clicks. Do not turn too quickly.  
From press to click should take about 3 seconds
3. Hold in button for 5 seconds, then release.



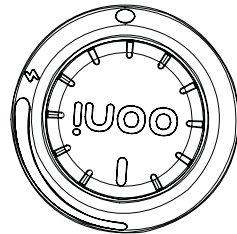
**Off**



**Maximum power**



**Minimum power**



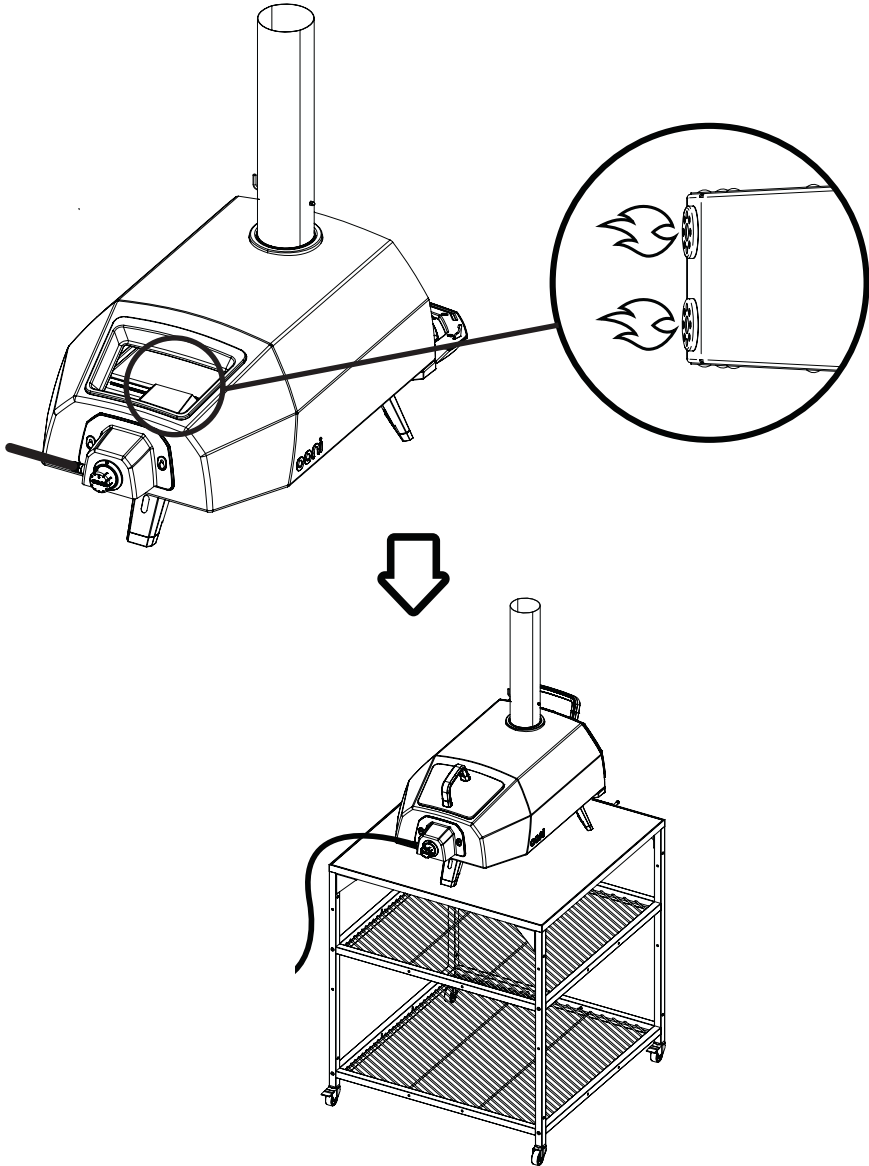
**!** Always remove the hatch and open the door when lighting the gas burner

**!** Stand clear of the oven when igniting - ensure nobody is within 1 metres (3ft) of the front of the oven.  
**!** Maintain arms length from the oven when igniting, and do not lean over the oven fuel hatch when igniting.

## Step 8

### Verify that the gas burner has on

1. If the burner is on, replace the hatch and close the door.
2. If not, turn off the gas and go back to Step 7.
3. If the burner still does not ignite go to Step 9.

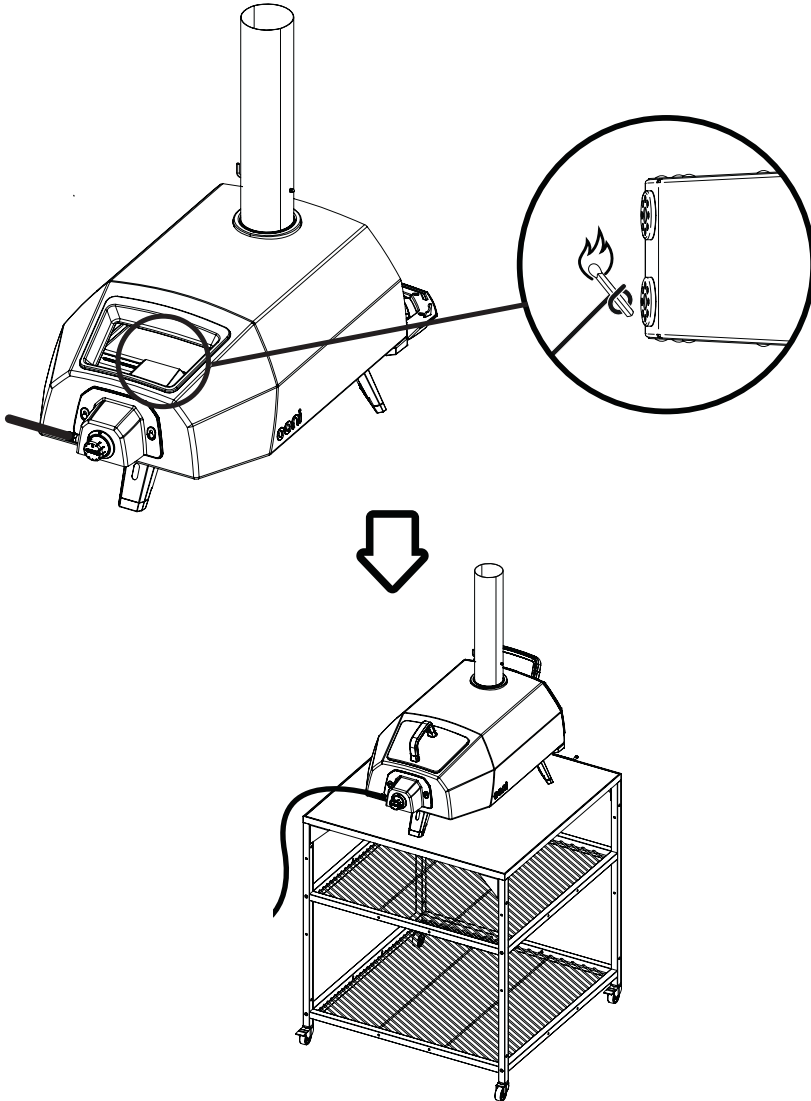


**!** Always route the gas hose away from the oven. The hose must not touch the oven body

## Step 9

### Ignition – using a match

If the burner still does not ignite; turn the gas on and light using a match and the supplied match holder through the hatch at the back of the oven. Hold it in front of the burners. Press and turn the knob as described in Step 7.



ⓘ Always route the gas hose away from the oven. The hose must not touch the oven body

ⓘ If the flames go out turn off the gas and wait 5 minutes before reigniting



## Troubleshooting





Problem	Possible cause	Prevention / Solution
My oven isn't getting hot enough	<ol style="list-style-type: none"> <li>1. Cracking or leaking on the hose</li> <li>2. Regulator improperly fixed</li> <li>3. Operation in extreme conditions</li> </ol>	<ol style="list-style-type: none"> <li>1. Ensure there is no cracking or leaking on the hose</li> <li>2. Ensure the regulator is properly fixed in the gas line assembly by leak testing and the hose is firmly attached to the gas burner tightened using appropriate sized wrenches as outlined in the instruction manual</li> <li>3. Your gas burner and oven should not be used in extreme conditions (eg high wind)</li> </ol>
My gas burner will not ignite	<ol style="list-style-type: none"> <li>1. Improper set-up</li> <li>2. Cracking or leaking from the hose</li> <li>3. Improper lighting technique.</li> <li>4. Regulator improperly fixed</li> <li>5. Improper alignment of the sparker</li> </ol>	<ol style="list-style-type: none"> <li>1. Ensure the chimney cap is removed and the ceiling vents and chimney vent are open. The door should be open.</li> <li>2. Ensure there is no cracking or leaking on the hose</li> <li>3. Turning the dial too quickly may prevent the gas burner from lighting.</li> <li>4. Ensure the regulator is properly fixed in the gas line assembly by leak testing and the hose is firmly attached to the gas burner tightened using appropriate sized wrenches as outlined in the instruction manual</li> <li>5. Reposition the sparker tip so it is 2-3 mm away from the front of the burner cap.</li> </ol>
My flame is too yellow / too blue	Variation in the environment, the food you cook, ambient temperature and condition of your Ooni oven may effect the colour of your flame	The colour of your flame will not affect the taste or quality of your food.
My FSD is not functioning correctly	There may be soot build up on my FSD probe	Ensure the gas burner and gas supply is switched off, wait for the burner to cool down, gently clean the probe and burner holes with damp cloth, leave the burner to fully dry before re-lighting.
Gas burner for Ooni will not maintain it's flame	<ol style="list-style-type: none"> <li>1. Lack of oxygen</li> <li>2. Oven placed on an uneven surface</li> </ol>	<ol style="list-style-type: none"> <li>1. Open the chimney vent of your Ooni Karu 16 to encourage better airflow through the oven</li> <li>2. If your Ooni is on a slant when set up, the oxygen will not flow as well. Try to set up on a flat surface.</li> </ol>
I can hear a 'roaring sound' coming from the Gas burner and my flames are very weak	Flame is burning within the venturers	Switch off the gas supply and the gas burner immediately, wait 5 minutes and relight the gas burner.

## Product technical information

### Model number

Ooni Karu 16

### Product Label

		ANS Z21.89-2017 CSA 1.18-2017 Outdoor Cooking Specialty Gas Appliance / Cuisiner en plein air spécialisés appareils à gaz			
Ooni Limited, Unit 5 Bishopsgate Business Park, 189 West Main Street, Broxburn, West Lothian, Scotland, EH52 5LH					
Ooni Karu 16 Gas Burner / Brûleur à gaz Ooni Karu 16					
Components / Composant		NG		Rate Input / Taux d'entrée (BTU/H)	
Main burner / Brûleur principal		1.8mm		25000	
 <p>Stand to side when lighting - never look directly into the oven or at the flame. Colóquese a un lado cuando vuelva a encenderlo, nunca mire directamente al horno o a la llama. Tiens-toi sur le côté lors du réalumage. Ne regarde jamais directement la flamme ou l'intérieur du four.</p>		 <p>Always ensure the Ooni Karu 16 door is open, and the fuel hatch is off, when lighting or relighting. Asegúrese siempre de que la puerta del Ooni Karu 16 esté abierta y la trampilla de combustible cerrada cuando encienda o vuelva a encender el aparato. Lors de l'allumage ou du réalumage, vérifie toujours que la porte du four Ooni Karu 16 est ouverte et que la trappe du réservoir à combustible est retirée.</p>		<b>SN</b>	
<b>FR</b> Pour une utilisation extérieure seulement. Si l'appareil est rangé à l'intérieur, déconnecter de l'alimentation en gaz naturel. Le non-respect des consignes ci-dessus pourrait causer un incendie mortel ou des blessures graves. Le dégagement minimum entre les côtés de l'unité et une construction combustible est de 36 po des côtés et de 36 po du devant. N'utilisez pas l'appareil sous des surfaces combustibles. AVERTISSEMENT : Utilisez seulement le régulateur de pression à gaz fourni avec cet appareil. Ce régulateur est conçu pour une sortie de pression de 4 pouces CE. Fermez l'alimentation GN à la source lorsque l'appareil n'est pas utilisé. Assurez-vous que le bouton de commande est en position ARRÊT, puis activez la vanne de gaz naturel à MARCHÉ en la tournant lentement. Cet appareil n'est pas conçu pour un usage commercial.  INSTRUCTIONS D'ALLUMAGE - POUR ALLUMER LE BRÛLEUR Lisez bien toutes les instructions avant de procéder à l'allumage Assurez-vous que le bouton de commande est en position ARRÊT, puis activez la vanne d'alimentation de gaz naturel en la tournant lentement dans le sens contraire des aiguilles d'une montre. Enfoncez le bouton de commande et tournez-le lentement dans le sens contraire des aiguilles d'une montre jusqu'à ce qu'il s'enclenche et que le brûleur s'allume. Si le brûleur ne s'allume pas, fermez le bouton de commande, attendez 5 minutes, puis recommencez le processus d'allumage.			<b>ES</b> Solo para utilizar en exteriores. Si se conserva en interiores, desconéctalo del suministro de gas natural. Si la información anterior no se sigue de manera exacta, puede ocurrir un incendio y provocar lesiones graves o la muerte. La distancia mínima entre las partes laterales y posterior de la unidad y una construcción inflamable debe ser de 36 pulgadas desde los laterales y 36 pulgadas desde el frente. No utilices este electrodoméstico bajo superficies inflamables. PRECAUCIÓN: Utiliza solo el regulador de presión de gas que se suministra con este electrodoméstico. Este regulador está configurado para una presión de salida de 4 inw. Apaga el suministro de gas natural en la fuente cuando no utilices el electrodoméstico. Asegúrate de que la perilla de control esté en la posición de apagado; luego, enciende la válvula de gas natural girándola lentamente hacia la izquierda. Este electrodoméstico no está diseñado para uso comercial.  INSTRUCCIONES DE ENCENDIDO: PARA ENCENDER EL QUEMADOR Lee todas las instrucciones antes de encenderlo Asegúrate de que la perilla de control esté en la posición de apagado; luego, enciende la válvula de la fuente de gas natural girándola lentamente hacia la izquierda. Presiona y gira la perilla de control lentamente hacia la izquierda hasta que escuches un clic y el quemador se encienda. Si el quemador no se enciende, apaga la perilla, espera 5 minutos y vuelve a encenderlo.		

### Ooni Karu 16 Gas Burner

Gas Type	Number of Burners	Injector Size Main Burner (mm)	Total Gas Consumption (BTU/h)	Gas Pressure KPa
NG	1	1.8	25000	1



#### WARNING:

- Do not spray aerosols in the vicinity of this appliance while it is in operation.
- Do not use or store flammable materials in or near this appliance.
- Do not place articles on or against this appliance. Do not modify this appliance

**⚠ AVERTISSEMENT**

Afin de réduire le risque d'incendie, de brûlures ou autres blessures, veuillez lire ce manuel de sécurité attentivement et dans son entier avant d'utiliser cet appareil.

**⚠ AVERTISSEMENT**

Avant de nettoyer l'appareil, assurez-vous que l'alimentation en gaz et le bouton de réglage sont en position ARRÊT et que le brûleur et le four se sont bien refroidis.

**⚠ DANGER**

Ne faites pas fonctionner cet appareil sans surveillance. En cas d'incendie, restez éloigné de l'appareil et appelez immédiatement le service d'incendie. N'essayez pas d'éteindre un incendie de graisse ou d'huile avec de l'eau.

**⚠ DANGER**

Si vous détectez une odeur de gaz :

- Fermez l'alimentation en gaz
- Éteignez toute flamme nue
- Si l'odeur persiste, restez éloigné de l'appareil et appelez immédiatement le fournisseur de gaz ou le service d'incendie.

Le non-respect de ces directives peut entraîner un incendie, une explosion ou un risque de brûlure pouvant causer des dommages matériels, des blessures corporelles ou la mort.

**⚠ AVERTISSEMENT**

POUR UNE UTILISATION EXTÉRIEURE SEULEMENT.

**⚠ AVERTISSEMENT**

- a. Tenez le tuyau d'alimentation en carburant à l'écart de toutes surfaces chauffées.
- b. La consommation d'alcool ou de médicaments, prescrits ou en vente libre, peut altérer la capacité du consommateur à bien assembler ou à utiliser l'appareil de façon sécuritaire.
- c. En tout temps, tenez les enfants et les animaux à l'écart de l'appareil.
- d. Ne déplacez pas l'appareil lorsqu'il est en marche.
- e. Cet appareil n'est pas un appareil de chauffage et ne devrait jamais être utilisé à cet effet.

**⚠ AVERTISSEMENT**

Les araignées et les insectes peuvent nicher à l'intérieur du brûleur de l'appareil et nuire à l'écoulement des gaz. Assurez-vous d'inspecter le brûleur au moins une fois par année.

**⚠ AVERTISSEMENT**

Si une allumette est utilisée pour allumer l'appareil, assurez-vous d'utiliser le porte-allumettes inclus.

**⚠ AVERTISSEMENT**

Entreposez cet appareil à l'intérieur seulement si l'alimentation en gaz naturel est déconnectée.

**⚠ AVERTISSEMENT**

Cet appareil n'est pas conçu pour être installé dans ou sur un véhicule de plaisance ou un bateau.

**⚠ AVERTISSEMENT**

Vérifiez l'étanchéité de tous les raccords d'alimentation en gaz avant chaque utilisation. Cet appareil ne doit pas être utilisé avant que l'étanchéité de tous les raccords ait été vérifiée.

**⚠ AVERTISSEMENT**

Ne fumez pas pendant la vérification de l'étanchéité. Ne vérifiez jamais l'étanchéité avec une flamme nue.

**⚠ AVERTISSEMENT**

Lors de l'allumage, gardez le visage et les mains aussi loin que possible de l'appareil.

**⚠ AVERTISSEMENT**

Le dégagement minimum entre les côtés de l'unité et une construction combustible est de 610 mm (24 pouces).

Le dégagement minimum entre l'arrière de l'unité et une construction combustible est de 915 mm (36 pouces).

**⚠ AVERTISSEMENT**

Ce manuel d'instruction comprend d'importantes informations nécessaires au bon assemblage et à l'utilisation sécuritaire de l'appareil. Assurez-vous de lire et de suivre tous les avertissements et les instructions avant d'assembler et d'utiliser l'appareil. Assurez-vous de suivre tous les avertissements quand vous utilisez l'appareil. Conservez ce manuel à titre de référence.

**⚠ AVERTISSEMENT**

Ce manuel précise qu'un four, une friteuse ou un grilloir ne doit pas être utilisé sur ou sous le balcon ou la terrasse d'un appartement ou d'une copropriété.

**⚠ AVERTISSEMENT**

Cet appareil n'est pas conçu pour être installé dans ou sur un bateau. Cet appareil n'est pas conçu pour être installé dans ou sur un véhicule de plaisance.

**⚠ AVERTISSEMENT**

Tenez le tuyau d'alimentation en carburant à l'écart de toutes surfaces chauffées.

### **⚠ AVERTISSEMENT**

Ce manuel comporte une directive de nettoyage et d'inspection du tuyau avant chaque utilisation de l'appareil. S'il y a des signes d'abrasion, d'usure, de fentes ou de fuites, le tuyau doit être remplacé avant que l'appareil soit mis en fonction. Le tuyau de remplacement doit être celui spécifié par le fabricant.

### **⚠ AVERTISSEMENT**

Cet appareil doit être utilisé à l'extérieur seulement et ne doit pas être utilisé dans un bâtiment, un garage ou tout autre endroit fermé.

### **⚠ AVERTISSEMENT**

Ce manuel comprend une liste des pièces nécessaires pour un fonctionnement sécuritaire de l'appareil, des instructions pour un bon assemblage et pour le montage des pièces installées et des accessoires fournis avec l'appareil, ainsi que des procédures appropriées pour les tests de fuite de gaz.

### **⚠ AVERTISSEMENT**

L'appareil ne doit pas être placé ou utilisé sous des matériaux de construction ou des surfaces combustibles non protégés. Le dégagement minimal pour un gril, une friteuse ou un grilloir sera d'au moins 3 m (10 pi) de toute structure ou tout matériau combustible.

### **⚠ AVERTISSEMENT**

Assurez-vous que les pieds de l'Ooni Karu 16 sont complètement déployés avant de l'utiliser.

### **⚠ AVERTISSEMENT**

Pour éviter un choc, ne touchez pas l'extrémité de l'électrode lorsque vous allumez le brûleur.

### **⚠ AVERTISSEMENT**

Assurez-vous que l'évent de plafond et le conduit de cheminée sont complètement ouverts pendant l'utilisation.

### **⚠ AVERTISSEMENT**

N'ajustez pas l'évent de plafond et le conduit de la cheminée pendant l'utilisation.

### **⚠ AVERTISSEMENT**

Restez loin des gaz d'échappement chauds provenant de la cheminée.

### **⚠ AVERTISSEMENT**

Veillez à ce qu'il y ait une distance d'au moins 90 mm (3,5 po) entre les bords des pieds du four et le bord de la surface de la table.

### **⚠ AVERTISSEMENT SUR LE GAZ NATUREL**

1. Veuillez consulter vos règlements locaux ou un ingénieur en matière de gaz naturel pour des conseils sur la façon de fixer cet accessoire à votre sortie de gaz naturel.
2. Consultez un spécialiste local en gaz pour vous aider dans cette installation.
3. Le non-respect de ces directives peut entraîner des dommages matériels ou des blessures corporelles importantes.



Tenez-vous sur le côté de l'appareil en allumant le four; ne regardez jamais directement la flamme ou dans le four.



Assurez-vous toujours que la porte de l'Ooni Karu 16 est ouverte et que la trappe à carburant est fermée lorsque vous l'allumez et le rallumez.



Veuillez consulter vos règlements locaux ou un ingénieur en matière de gaz naturel pour des conseils sur la façon de fixer cet accessoire à votre propre sortie de gaz naturel

## Avant l'allumage

Inspectez le tuyau d'alimentation en gaz avant d'allumer le gaz. S'il y a des signes d'abrasion, d'usure et de fentes, le tuyau doit être remplacé avant que l'appareil soit utilisé.

Avant d'allumer l'appareil, vérifiez l'étanchéité du tuyau et des raccords du régulateur avec une solution faite d'eau et de savon.

Seuls le régulateur à pression et l'ensemble de tuyaux pour gaz fournis avec cet appareil doivent être utilisés.

## Pratiques de sécurité pour éviter les blessures

S'il est bien entretenu, votre four fournira un service sûr et fiable pendant de nombreuses années. Cependant, vous devez faire preuve d'une extrême prudence, car le four produit une chaleur intense qui peut augmenter le risque d'accident.

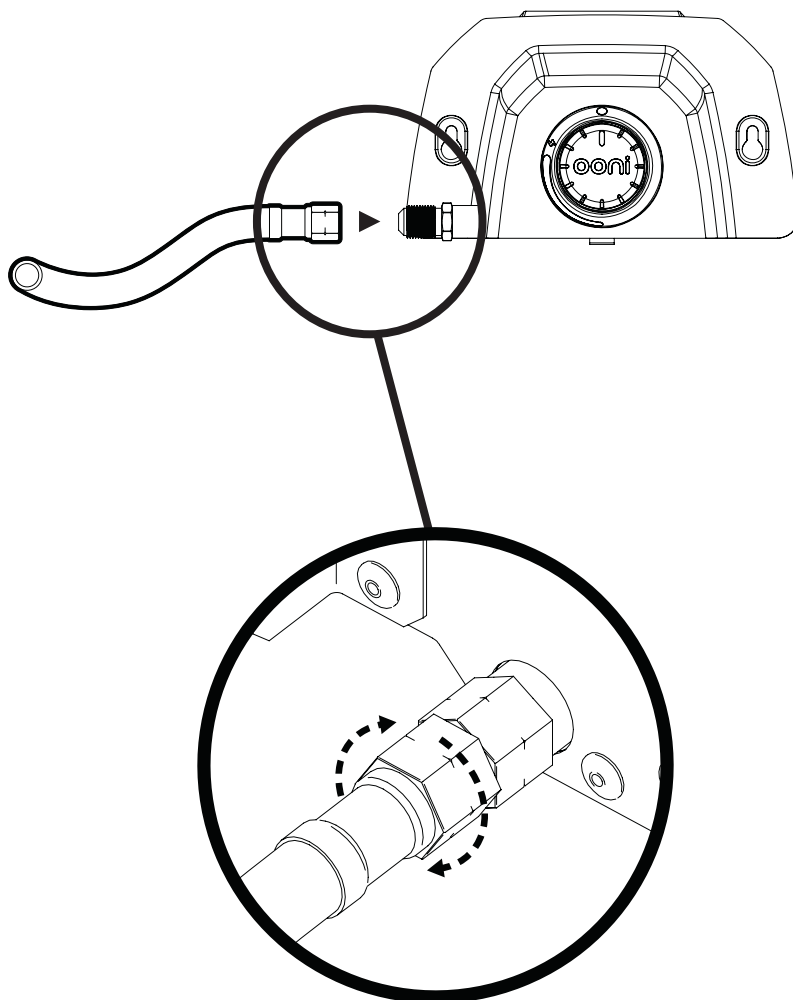
Lors de l'utilisation du four, des pratiques de bases doivent être respectées, y compris ce qui suit, mais sans s'y limiter :

- Ne réparez ni ne remplacez aucune pièce du four sauf si indiqué dans ce manuel. Toute autre réparation ou tout autre entretien doit être effectué par un technicien qualifié.
- Ne laissez jamais les enfants seuls ou sans surveillance dans un endroit où le four est utilisé. Ne laissez jamais les enfants s'asseoir, se tenir ou jouer près du four.
- Ne laissez jamais de vêtements ou d'autres produits inflammables entrer en contact avec un brûleur ou une surface chaude ou en être trop près avant qu'ils n'aient refroidi. Le tissu peut s'enflammer et causer de blessures graves.
- Pour votre sécurité personnelle, assurez-vous de porter des vêtements appropriés. Ne portez jamais de vêtements ou de manches amples en utilisant le four. Certains tissus synthétiques sont extrêmement inflammables et ne doivent pas être portés pendant que vous cuisinez.
- Ne faites pas chauffer de contenants de nourriture non ouverts, car une accumulation de pression pourrait les faire exploser. Lorsque vous allumez le brûleur, portez une attention spéciale à ce que vous faites.
- Lorsque vous utilisez le four, ne touchez pas à la coque extérieure, à la pierre de cuisson ou aux parties avoisinantes, car elles deviennent très chaudes et peuvent causer des brûlures.
- N'utilisez pas le four pour cuire des viandes très grasses ou d'autres produits pouvant accroître la combustion.
- Gardez la zone entourant le four libre de matières combustibles, y compris les fluides, les déchets et les vapeurs comme l'essence ou l'essence pour allume-feu à charbon.
- N'obstruez pas le flux d'air de combustion et de ventilation.
- N'utilisez jamais le four lors de temps très venteux.
- La température sous le four est élevée. Ne placez pas le four sur une table recouverte d'une nappe inflammable, en plastique ou fabriquée avec d'autres matières inflammables.

**Étape 1**  
**Installez le tuyau flexible (si nécessaire).**

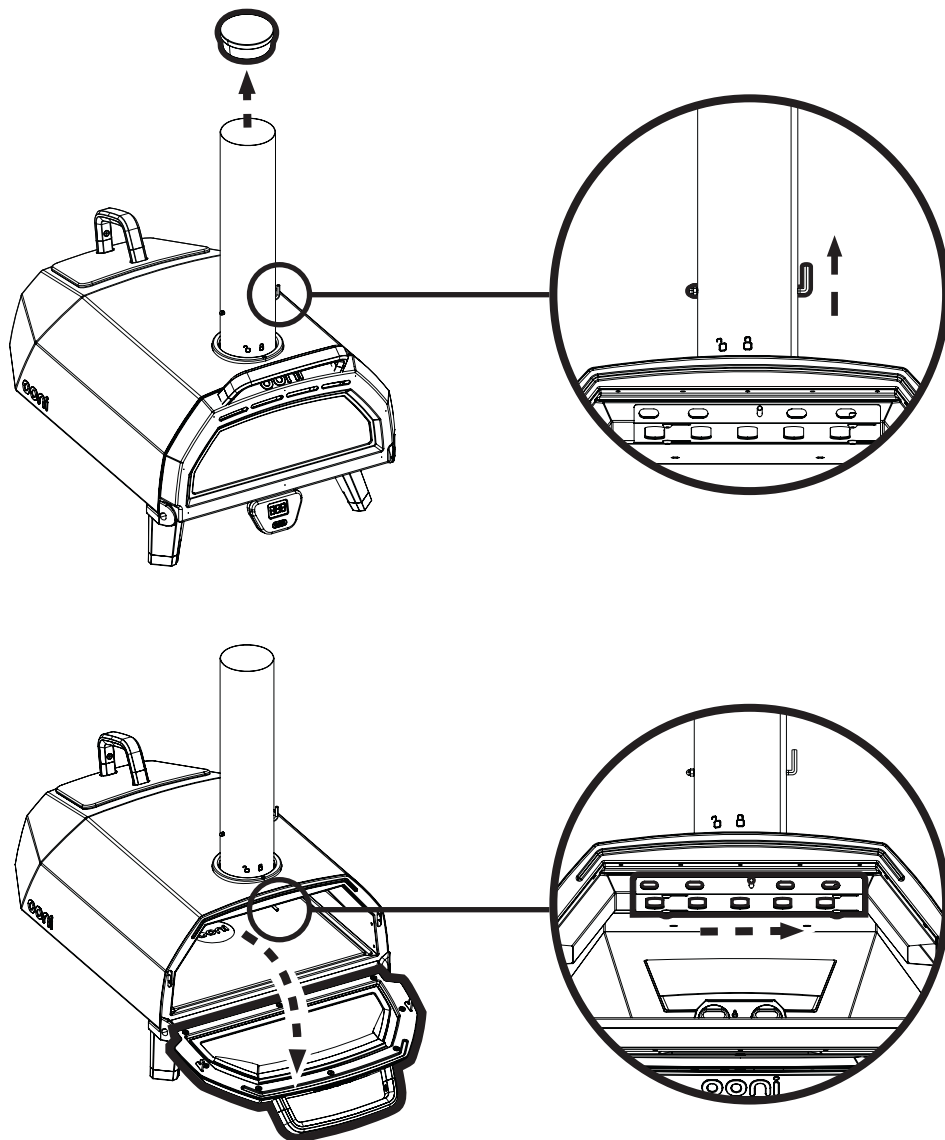
**Étape 1a**

Serrez avec des clés appropriées



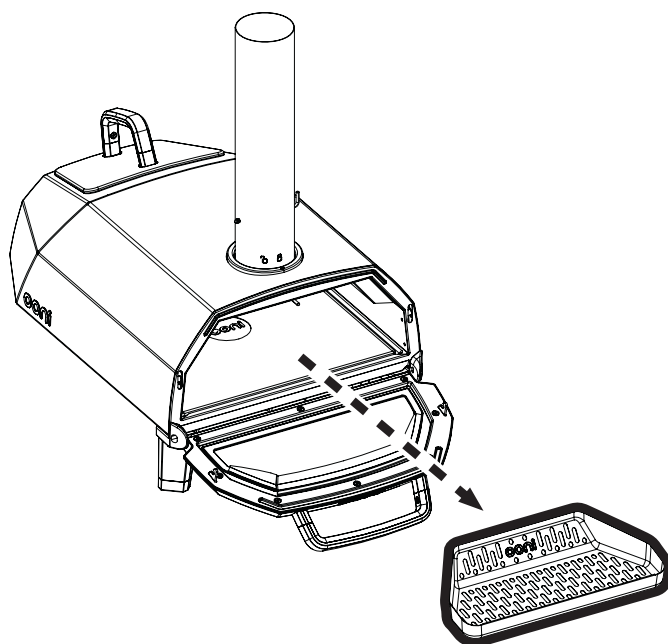
## Étape 2

- a. Retirez le chapeau de cheminée.
- b. Ouvrez le déflecteur de cheminée.
- c. Ouvrez la porte et faites glisser l'évent du plafond pour l'ouvrir.



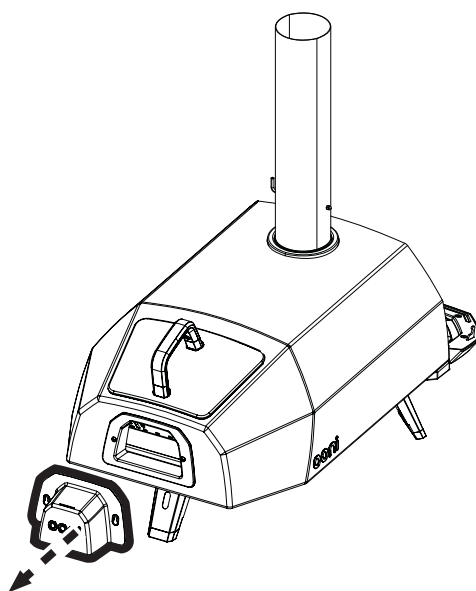
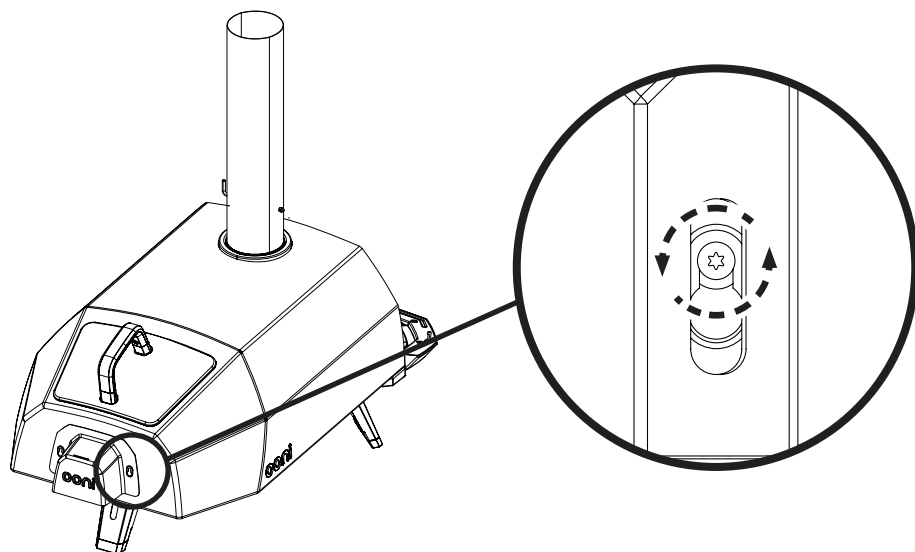
Assurez-vous que l'évent de plafond et le conduit de cheminée sont complètement ouverts pendant l'utilisation.

Étape 3  
**Retirez la grille et le plateau à combustible.**



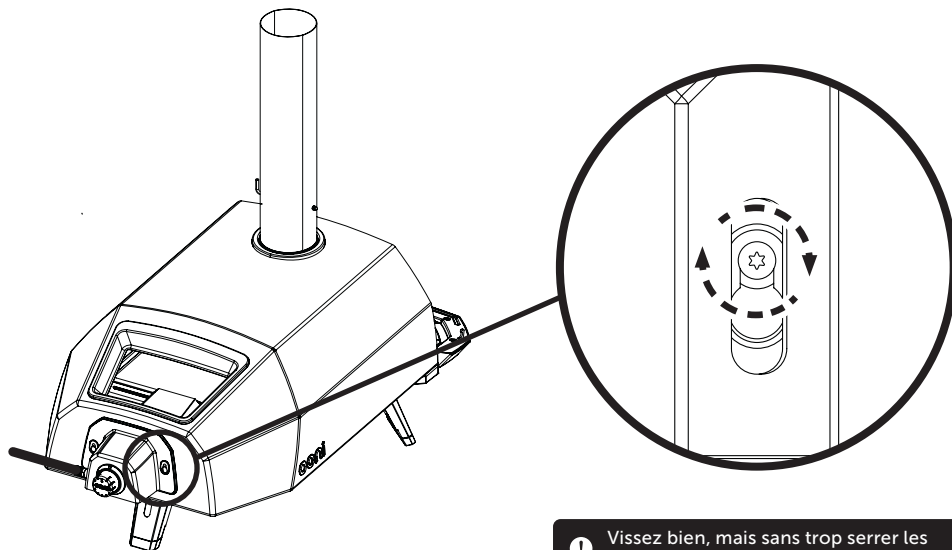
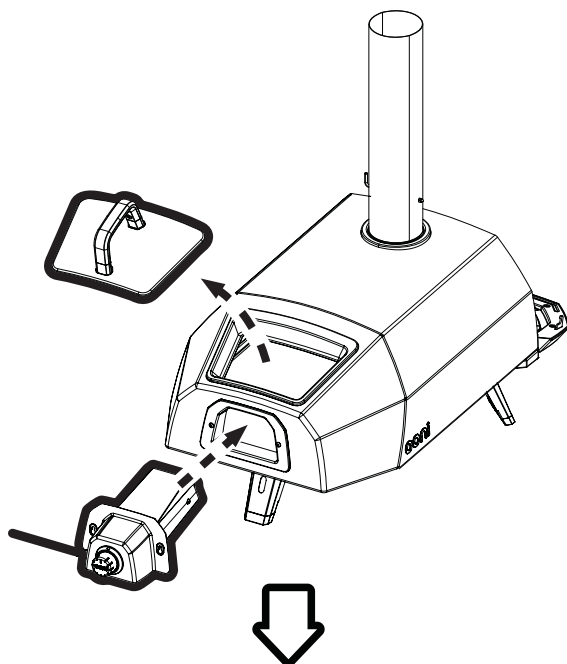


Étape 4  
Retirez la plaque de tirage.



## Étape 5

Retirez la trappe et insérez le brûleur à gaz

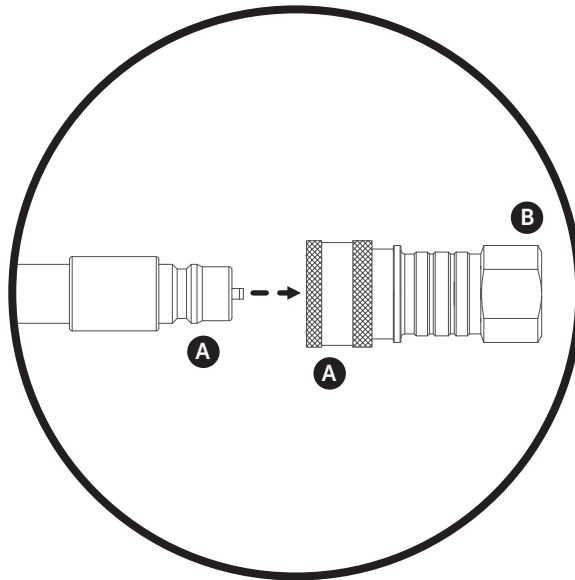


! Vissez bien, mais sans trop serrer les vis

## De raccorder à l'alimentation en gaz naturel

1. Connectez le côté A du boyau de gaz naturel au côté A du connecteur rapide.
2. Connectez le côté B du connecteur rapide à votre prise d'alimentation en gaz naturel avec un boyau de 3/8 po NPT au filetage mâle.

**Vous aurez besoin :**  
du connecteur rapide inclus



Veillez consulter vos règlements locaux ou un ingénieur en matière de gaz naturel pour des conseils sur la façon de fixer cet accessoire à votre propre sortie de gaz naturel

## Vérification de l'étanchéité

### Général

Même si l'étanchéité des raccordements en gaz de l'appareil est vérifiée avant l'emballage et l'expédition, une vérification complète doit être effectuée au site de l'installation.

Avant chaque utilisation, vérifiez l'étanchéité de tous les raccords de gaz en suivant la procédure indiquée ci-dessous. Si, à tout moment, vous détectez une odeur de gaz, arrêtez de l'utiliser immédiatement et vérifiez l'étanchéité de tout le système.

### Avant la vérification

Assurez-vous que tout le matériel d'emballage a été retiré de l'appareil.

Préparez une solution faite d'une partie de détergent liquide et d'une partie d'eau. Vous aurez besoin d'un flacon pulvérisateur, d'une brosse ou d'un chiffon pour appliquer la solution sur les raccords.

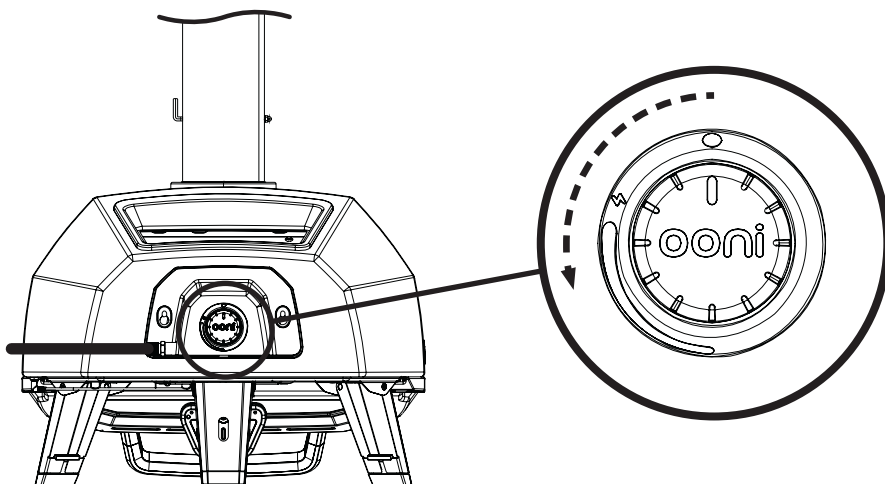
### Pour faire la vérification

1. Mettez la vanne du brûleur en position ARRÊT
2. Ouvrez l'alimentation en gaz naturel.
3. Appliquez la solution savonneuse sur tous les raccords à gaz. Si une fuite est présente, des bulles de savon apparaîtront.
4. S'il y a présence de fuite, fermez immédiatement l'alimentation en gaz et resserrez les raccords qui coulent.
5. Rallumez le gaz et vérifiez de nouveau.
6. Si le gaz continue à fuir de l'un des raccords, coupez l'alimentation en gaz et contactez le service à la clientèle.

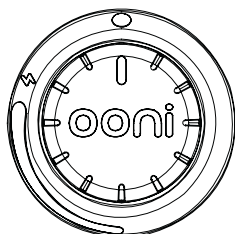
## Étape 7

### Allumage

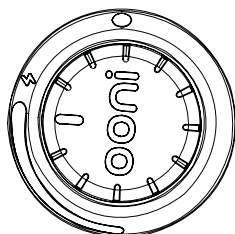
1. Ouvrez l'alimentation en gaz naturel.
2. Enfoncez le bouton et tournez-le dans le sens inverse des aiguilles d'une montre jusqu'à ce qu'il s'enclenche. Ne tournez pas trop vite. De la pression au clic, cela devrait prendre environ 3 secondes.
3. Tenez le bouton enfoncé pendant 5 secondes puis relâchez-le.



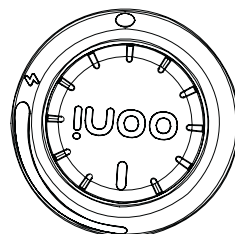
Arrêt



Puissance maximale



Puissance minimale



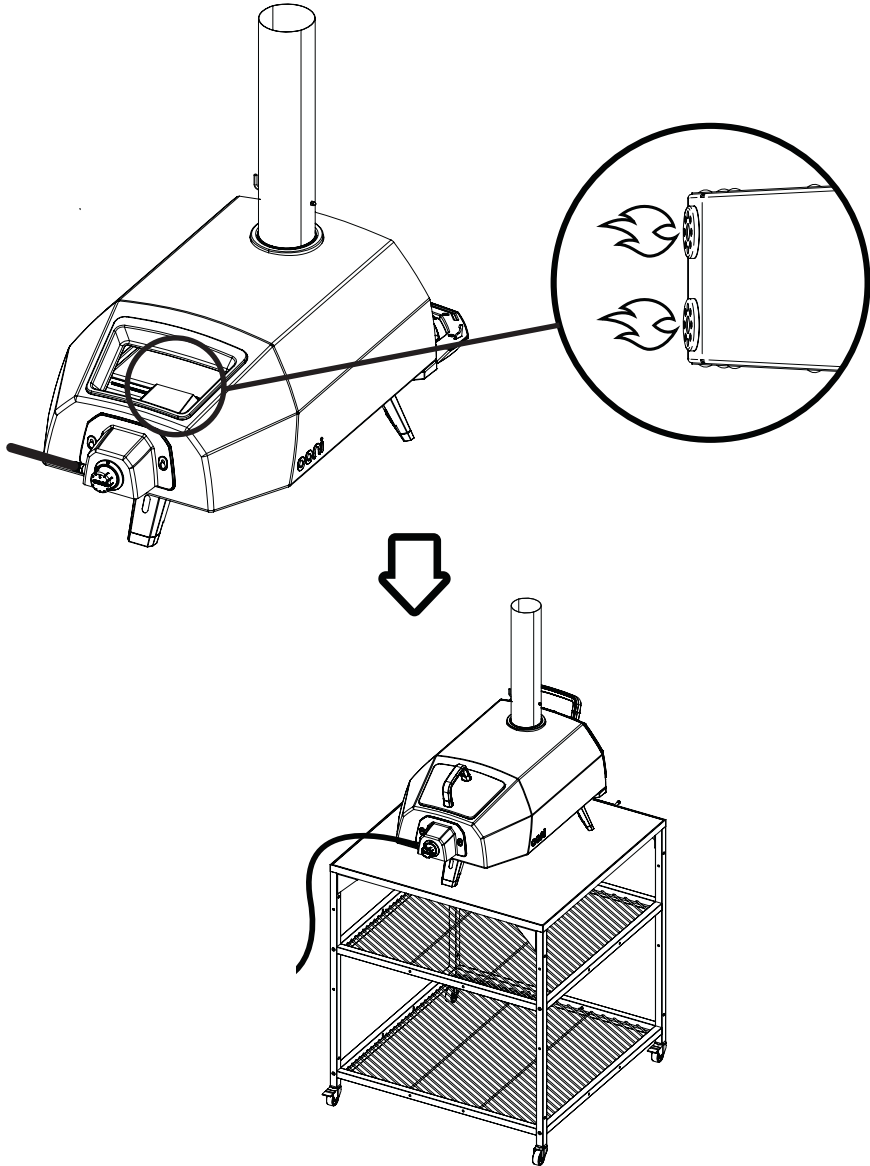
! Enlevez toujours la trappe et ouvrez la porte lors de l'allumage du brûleur à gaz.

! Tenez-vous à l'écart du four lors de l'allumage – veillez à ce que personne ne se trouve à moins d'un mètre (3 pieds) de l'avant du four. Gardez un bras de distance du four lorsque vous l'allumez et ne vous penchez pas au-dessus la trappe à combustible du four lorsque vous l'allumez.

## Étape 8

### Vérifiez que le brûleur est allumé.

1. Si le brûleur est allumé, remplacez la trappe et fermez la porte.
2. Sinon, fermez le gaz et retournez à l'étape 7.
3. Si le brûleur ne s'allume toujours pas, retournez à l'étape 9.

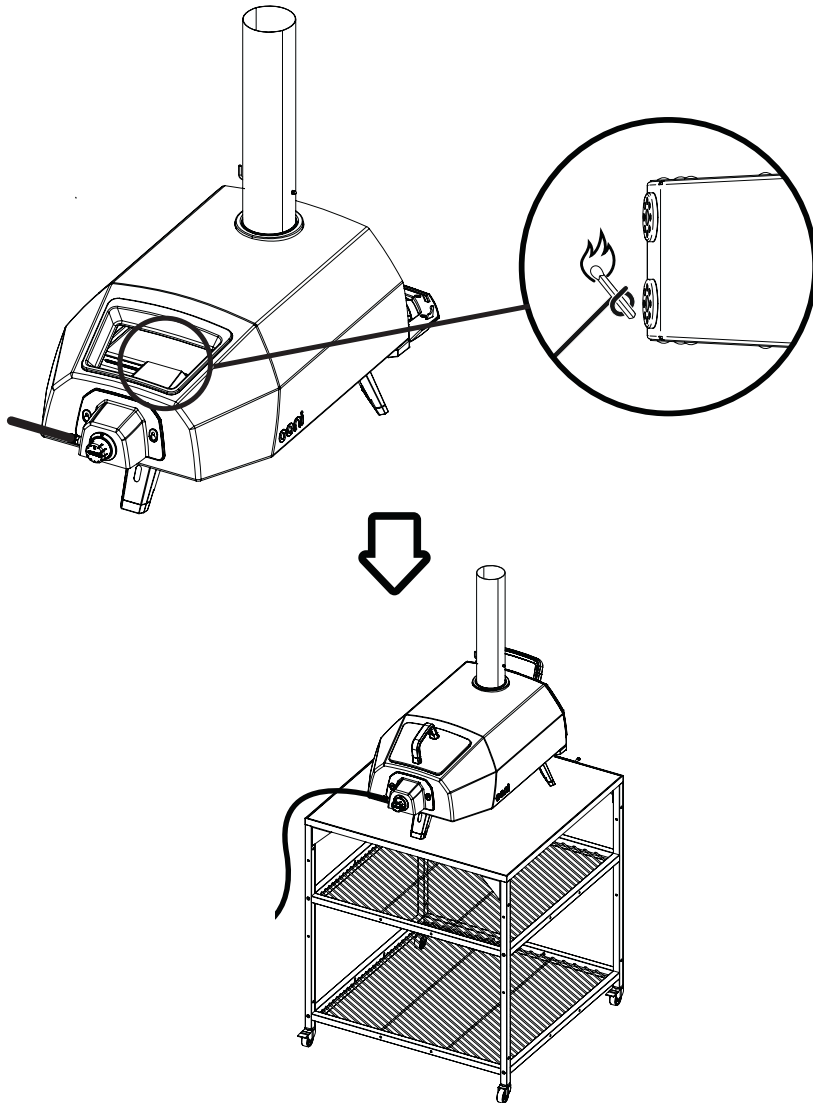


⚠ Passez toujours le tuyau de gaz loin du four. Le tuyau ne doit pas toucher le corps du four

## Étape 9

### Allumage – avec une allumette

Si un brûleur ne s'allume toujours pas, utilisez une allumette et le porte-allumette fourni pour l'allumer par la trappe située derrière le four. Tenez-le devant les brûleurs. Appuyez sur le bouton et tournez-le comme décrit à l'étape 7.



! Passez toujours le tuyau de gaz loin du four. Le tuyau ne doit pas toucher le corps du four

! Si les flammes s'éteignent, fermez le gaz et attendez 5 minutes avant de le rallumer.

## Dépannage

Problème	Cause possible	Prévention/solution
Mon four ne devient pas assez chaud	<ol style="list-style-type: none"> <li>1. Tuyau qui a des fentes ou des fuites</li> <li>2. Régulateur qui n'a pas été bien réparé</li> <li>3. Utilisation dans des conditions extrêmes</li> </ol>	<ol style="list-style-type: none"> <li>1. Assurez-vous qu'il n'y a pas de fentes ou de fuites sur le tuyau</li> <li>2. Assurez-vous que le régulateur est fixé correctement à l'alimentation au gaz et que le tuyau est attaché fermement au brûleur à gaz et qu'il soit serré avec une clé de taille appropriée comme indiqué dans le manuel d'instructions</li> <li>3. Votre brûleur à gaz et votre four ne doivent pas être utilisés dans des conditions extrêmes (p. ex. : temps très venteux)</li> </ol>
Mon brûleur à gaz ne s'allume pas	<ol style="list-style-type: none"> <li>1. Mauvaise installation</li> <li>2. Tuyau qui a des fentes ou des fuites</li> <li>3. Technique d'allumage inappropriée</li> <li>4. Régulateur qui n'a pas été bien réparé</li> <li>5. Mauvais alignement de l'allumeur</li> </ol>	<ol style="list-style-type: none"> <li>1. Assurez-vous que le capuchon de cheminée est enlevé et que les trappes d'aération ainsi que la cheminée sont ouvertes. La porte devrait être ouverte.</li> <li>2. Assurez-vous qu'il n'y a pas de fentes ou de fuites sur le tuyau.</li> <li>3. Tourner le cadran trop rapidement peut empêcher l'allumage du brûleur à gaz.</li> <li>4. Assurez-vous que le régulateur est fixé correctement à l'alimentation au gaz et que le tuyau est attaché fermement au brûleur à gaz et qu'il soit serré avec une clé de taille appropriée comme indiqué dans le manuel d'instructions</li> <li>5. Repositionnez la pointe de l'allumeur de manière à ce qu'elle soit à 2 ou 3 mm de l'avant du chapeau du brûleur.</li> </ol>
Ma flamme est trop jaune/trop bleue	Les changements dans l'environnement, la nourriture que vous cuisinez, la température ambiante et l'état de votre Ooni peuvent tous avoir un effet sur la couleur de la flamme.	La couleur de la flamme ne changera pas le goût ni la qualité de la nourriture.
Ma sonde de surveillance de la flamme (FSD) ne fonctionne pas correctement	De la suie s'est peut-être accumulée sur ma sonde de surveillance de la flamme (FSD)	Assurez-vous que le brûleur à gaz de même que l'alimentation en gaz sont fermés et attendez que le brûleur se refroidisse. Nettoyez doucement la sonde et les trous du brûleur avec un chiffon humide et laissez le brûleur sécher complètement avant de le rallumer.
Le brûleur à gaz de l'Ooni ne maintient pas sa flamme.	<ol style="list-style-type: none"> <li>1. Manque d'oxygène</li> <li>2. Le four est placé sur une surface inégale</li> </ol>	<ol style="list-style-type: none"> <li>1. Ouvrez la ventilation de la cheminée de votre Ooni Karu 16 pour permettre une meilleure circulation d'air dans le four.</li> <li>2. Si votre Ooni est incliné, l'oxygène ne circulera pas aussi bien. Essayez de l'installer sur une surface plane.</li> </ol>
J'entends un grondement venant du brûleur à gaz et mes flammes sont très faibles.	La flamme brûle à l'intérieur des ouvertures	Fermez immédiatement l'alimentation en gaz de même que le brûleur à gaz et attendez 5 minutes avant de rallumer le brûleur à gaz.







# Informations techniques du produit

## Numéro de modèle

Ooni Karu 16

## Étiquette du produit

		ANS Z21.89-2017 CSA 1.18-2017 Outdoor Cooking Specialty Gas Appliance / Cuisiner en plein air spécialisés appareils à gaz			
Ooni Limited, Unit 5 Bishopsgate Business Park, 189 West Main Street, Broxburn, West Lothian, Scotland, EH52 5LH					
Ooni Karu 16 Gas Burner / Brûleur à gaz Ooni Karu 16					
Components / Composant		NG		Rate Input / Taux d'entrée (BTU/H)	
Main burner / Brûleur principal		1.8mm		25000	
 <p>Stand to side when lighting - never look directly into the oven or at the flame. Colóquese a un lado cuando vuelva a encenderlo, nunca mire directamente al horno o a la llama. Tiens-toi sur le côté lors du réalumage. Ne regarde jamais directement la flamme ou l'intérieur du four.</p>		 <p>Always ensure the Ooni Karu 16 door is open, and the fuel hatch is off, when lighting or relighting. Asegúrese siempre de que la puerta del Ooni Karu 16 esté abierta y la trampilla de combustible cerrada cuando encienda o vuelva a encender el aparato. Lors de l'allumage ou du réalumage, vérifie toujours que la porte du four Ooni Karu 16 est ouverte et que la trappe du réservoir à combustible est retirée.</p>		<b>SN</b>	
<b>FR</b> Pour une utilisation extérieure seulement. Si l'appareil est rangé à l'intérieur, déconnecter de l'alimentation en gaz naturel. Le non-respect des consignes ci-dessus pourrait causer un incendie mortel ou des blessures graves. Le dégagement minimum entre les côtés de l'unité et une construction combustible est de 36 po des côtés et de 36 po du devant. N'utilisez pas l'appareil sous des surfaces combustibles. AVERTISSEMENT : Utilisez seulement le régulateur de pression à gaz fourni avec cet appareil. Ce régulateur est conçu pour une sortie de pression de 4 pouces CE. Fermez l'alimentation GN à la source lorsque l'appareil n'est pas utilisé. Assurez-vous que le bouton de commande est en position ARRÊT, puis activez la vanne de gaz naturel à MARCHÉ en la tournant lentement. Cet appareil n'est pas conçu pour un usage commercial.  INSTRUCTIONS D'ALLUMAGE - POUR ALLUMER LE BRÛLEUR Lisez bien toutes les instructions avant de procéder à l'allumage Assurez-vous que le bouton de commande est en position ARRÊT, puis activez la vanne d'alimentation de gaz naturel en la tournant lentement dans le sens contraire des aiguilles d'une montre. Enfonchez le bouton de commande et tournez-le lentement dans le sens contraire des aiguilles d'une montre jusqu'à ce qu'il s'enclenche et que le brûleur s'allume. Si le brûleur ne s'allume pas, fermez le bouton de commande, attendez 5 minutes, puis recommencez le processus d'allumage.			<b>ES</b> Solo para utilizar en exteriores. Si se conserva en interiores, desconéctalo del suministro de gas natural. Si la información anterior no se sigue de manera exacta, puede ocurrir un incendio y provocar lesiones graves o la muerte. La distancia mínima entre las partes laterales y posterior de la unidad y una construcción inflamable debe ser de 36 pulgadas desde los laterales y 36 pulgadas desde el frente. No utilices este electrodoméstico bajo superficies inflamables. PRECAUCIÓN: Utiliza solo el regulador de presión de gas que se suministra con este electrodoméstico. Este regulador está configurado para una presión de salida de 4 inwc. Apaga el suministro de gas natural en la fuente cuando no utilices el electrodoméstico. Asegúrate de que la perilla de control esté en la posición de apagado; luego, enciende la válvula de gas natural girándola lentamente hacia la izquierda. Este electrodoméstico no está diseñado para uso comercial.  INSTRUCCIONES DE ENCENDIDO: PARA ENCENDER EL QUEMADOR Lee todas las instrucciones antes de encenderlo Asegúrate de que la perilla de control esté en la posición de apagado; luego, enciende la válvula de la fuente de gas natural girándola lentamente hacia la izquierda. Presiona y gira la perilla de control lentamente hacia la izquierda hasta que escuches un clic y el quemador se encienda. Si el quemador no se enciende, apaga la perilla, espera 5 minutos y vuelve a encenderlo.		

## Brûleur à gaz Ooni Karu 16

Type de gaz	Nombre de brûleurs	Taille de l'injecteur du brûleur principal (mm)	Consommation totale de gaz (BTU/h)	Pression de gaz kPa
NG	1	1.8	25 000	1



### AVERTISSEMENT :

Ne pulvérisiez pas d'aérosols à proximité de cet appareil lorsqu'il est en fonctionnement.  
N'utilisez pas et ne rangez pas de matériaux inflammables dans cet appareil ou à proximité.  
Ne placez pas d'articles sur cet appareil ou contre lui. Ne modifiez pas cet appareil

**⚠ ADVERTENCIA**

Para reducir el riesgo de incendio, quemaduras u otras lesiones, lee este manual de seguridad con atención y de manera completa antes de utilizar este electrodoméstico.

**⚠ ADVERTENCIA**

Antes de limpiarlo, asegúrate de que la perilla de control y suministro de gas esté en posición de apagado, y que el quemador y el horno se hayan enfriado.

**⚠ PELIGRO**

Nunca operes este electrodoméstico sin supervisión. Si ocurre un incendio, aléjate del electrodoméstico y llama de inmediato al departamento de bomberos. No intentes extinguir con agua un incendio por aceite o grasa.

**⚠ PELIGRO**

Si sientes olor a gas:

- Cierra el paso de gas del electrodoméstico
- Extingue las llamas vivas
- Si el olor continúa, aléjate del electrodoméstico y llama de inmediato a tu proveedor de gas o al departamento de bomberos.

Si no sigues estas instrucciones, se puede generar un incendio, explosión o riesgo de quemaduras que pueden causar daños a la propiedad, lesiones personales o la muerte.

**⚠ ADVERTENCIA**

SOLO PARA UTILIZAR EN EXTERIORES.

**⚠ ADVERTENCIA**

- a. Mantén la manguera de suministro de combustible lejos de cualquier superficie caliente.
- b. El consumo de alcohol o de drogas con o sin prescripción puede alterar la capacidad del consumidor para instalar el electrodoméstico de manera adecuada u operarlo con seguridad.
- c. Mantén a los niños y mascotas lejos del electrodoméstico en todo momento.
- d. No muevas el electrodoméstico mientras esté en uso.
- e. Este electrodoméstico no está diseñado para utilizarse como calentador, y nunca se debe usar como tal.

**⚠ ADVERTENCIA**

Pueden anidarse arañas e insectos dentro del quemador del electrodoméstico y alterar el flujo de gas. Examina el quemador al menos una vez por año.

**⚠ ADVERTENCIA**

Si utilizas un fósforo para encender el quemador, asegúrate de utilizar el portafósforos incluido.

**⚠ ADVERTENCIA**

No conserves el electrodoméstico en interiores, salvo que esté desconectado del suministro de gas natural.

**⚠ ADVERTENCIA**

Este electrodoméstico no está diseñado para instalarse en barcos o vehículos recreativos.

**⚠ ADVERTENCIA**

Verifica si hay fugas en todas las conexiones de gas antes de cada uso. No utilices el electrodoméstico hasta haber examinado todas las conexiones y asegurarte de que no existen fugas.

**⚠ ADVERTENCIA**

No fumes mientras examinas si hay fugas. No examines si existen fugas con la llama encendida.

**⚠ ADVERTENCIA**

Cuando lo enciendas, mantén tu rostro y manos lo más lejos posible del electrodoméstico.

**⚠ ADVERTENCIA**

La distancia mínima entre los laterales de la unidad y la construcción inflamable es de 610 mm (24 pulgadas).

La distancia mínima entre la parte posterior de la unidad y la construcción inflamable es de 915 mm (36 pulgadas).

**⚠ ADVERTENCIA**

Este manual de instrucciones contiene información importante necesaria para la instalación correcta y el uso seguro del electrodoméstico. Lee y sigue todas las advertencias e instrucciones antes de instalar y utilizar el electrodoméstico. Sigue todas las advertencias e instrucciones cuando utilices el electrodoméstico. Guarda este manual para futuras consultas.

**⚠ ADVERTENCIA**

Este manual establece que un horno, una freidora o un asador no se debe utilizar en un departamento ni en un balcón o deck de condominio.

**⚠ ADVERTENCIA**

Este electrodoméstico no está diseñado para instalarse en un barco. Este electrodoméstico no está diseñado para instalarse en un vehículo recreativo.

**⚠ ADVERTENCIA**

Mantén la manguera de suministro de combustible lejos de cualquier superficie caliente.

**⚠ ADVERTENCIA**

Este manual incluye instrucciones para limpiar y examinar la manguera antes de utilizar el electrodoméstico. Si existen pruebas de abrasión, desgaste, cortes o fugas, se debe reemplazar la manguera antes de operar el electrodoméstico. La instalación de la manguera de repuesto se debe realizar según las especificaciones de fabricante.

**⚠ ADVERTENCIA**

Este electrodoméstico solo se debe utilizar en exteriores, y no en un edificio, garaje ni en alguna otra área cerrada.

**⚠ ADVERTENCIA**

Este manual incluye una lista de piezas requeridas que son necesarias para el funcionamiento seguro del electrodoméstico, instrucciones para la instalación adecuada y el ensamble de las piezas instaladas y accesorios suministrados con el electrodoméstico, y procedimientos adecuados para examinar si existen fugas de gas.

**⚠ ADVERTENCIA**

El electrodoméstico no se debe ubicar ni utilizar debajo de materiales o superficies inflamables sin protección en la parte superior. Para una parrilla, freidora o asador, la distancia mínima debe ser de al menos 10 pies (3 m) de cualquier estructura o material inflamable.

**⚠ ADVERTENCIA**

Asegúrate de que las patas del Ooni Karu 16 estén totalmente desplegadas antes de usarlo.

**⚠ ADVERTENCIA**

Para evitar una descarga, no toques el extremo del electrodo cuando enciendas el quemador.

**⚠ ADVERTENCIA**

Durante su uso, asegúrate de que la ventilación de la chimenea y la del techo estén completamente abiertas.

**⚠ ADVERTENCIA**

No ajustes la ventilación del techo ni la de la chimenea durante su uso.

**⚠ ADVERTENCIA**

Mantente alejado de los gases de escape calientes que provienen de la chimenea.

**⚠ ADVERTENCIA**

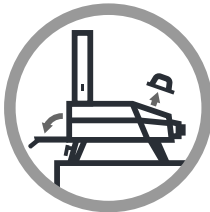
Asegúrate de que exista una distancia de al menos 3.5" / 90 mm entre los extremos de cualquiera de las patas del horno y el extremo de la superficie de la mesa.

**⚠ ADVERTENCIA SOBRE EL GAS NATURAL**

1. Consulta las regulaciones de gas natural locales o a un ingeniero en gas para obtener consejos sobre cómo conectarlo con tu salida de gas natural.
2. Consulta a un gasista especializado local para que te ayude a instalarlo.
3. Si no se siguen todas las instrucciones, puede causar lesiones graves o daños a la propiedad.



Párate a un lado cuando vuelvas a encenderlo; nunca mires directamente hacia el horno o la llama.



Siempre asegúrate de que la puerta del Ooni Karu 16 esté abierta y la bandeja de combustible esté afuera cuando lo enciendas o vuelvas a encenderlo.



Consulta las regulaciones de gas natural locales o a un ingeniero en gas para obtener consejos sobre cómo conectarlo a tu salida de gas natural.

## Antes de encenderlo

Examina la manguera de suministro de gas antes de activar el gas. Si existe evidencia de corte, desgaste o abrasión, se debe reemplazar antes de usarlo.

Examina si existen fugas en las conexiones de la manguera y del regulador con una solución de agua y jabón antes de encender el electrodoméstico.

Solo se deben utilizar el regulador de presión y el ensamble de manguera de gas que se suministran con este electrodoméstico.

## Prácticas de seguridad para evitar lesiones

Si lo cuidas de manera adecuada, tu horno funcionará de manera segura y confiable durante muchos años. No obstante, debes tener mucho cuidado ya que el horno produce un calor intenso que puede aumentar el riesgo de accidentes.

Cuando utilices este horno, debes seguir prácticas básicas, como las siguientes:

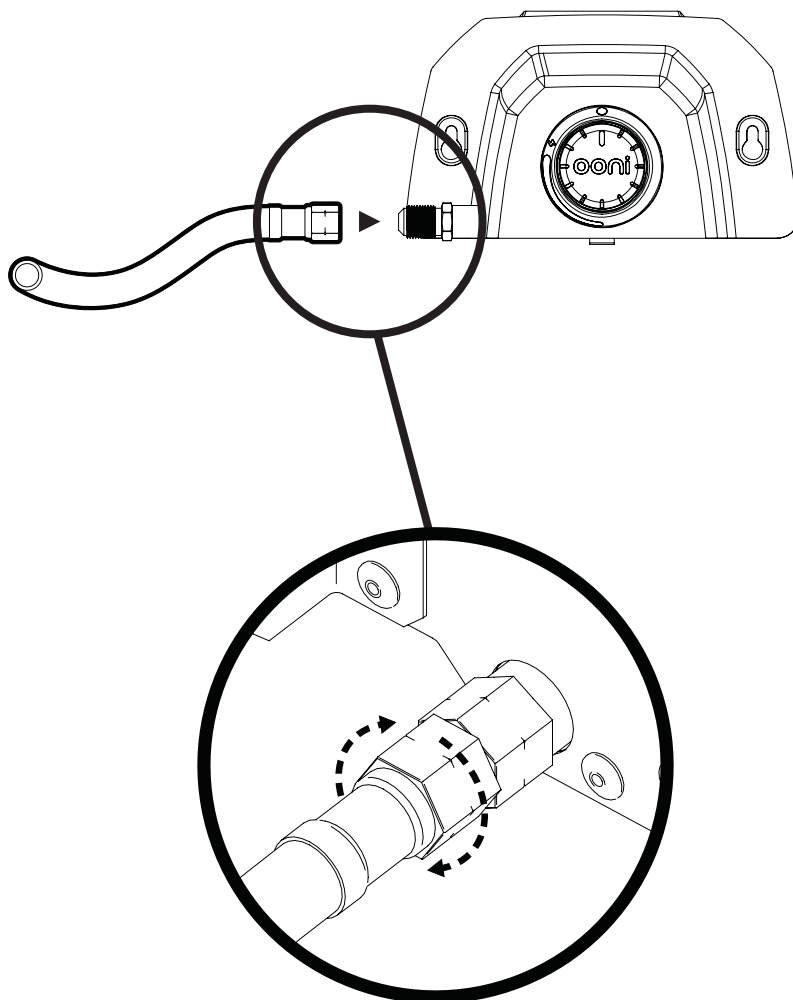
- No repares o reemplaces ninguna pieza del horno, salvo que se recomiende específicamente en este manual. Cualquier otro servicio se debe encargar a un técnico calificado.
- Los niños no deben estar solos o sin supervisión en el área donde se esté utilizando el horno. No permitas que los niños se sienten, se paren o jueguen alrededor del horno en ningún momento.
- Nunca permitas que las prendas u otros materiales inflamables entren en contacto con el quemador o superficie caliente, o estén demasiado cerca de ellos, hasta que se hayan enfriado. La tela puede prenderse fuego y causar lesiones personales graves.
- Para tu seguridad personal, utiliza vestimenta adecuada. Nunca uses prendas o mangas sueltas mientras utilices el horno. Algunas telas sintéticas son altamente inflamables y no se deben usar mientras cocinas.
- No calientes contenedores de alimentos sin abrir, ya que un aumento de la presión puede provocar que los contenedores exploten. Cuando enciendas el quemador, siempre presta mucha atención a lo que haces.
- Cuando utilices el horno, no toques el material exterior, la tabla para hornear de piedra ni las áreas a su alrededor, ya que se tornan extremadamente calientes y pueden causar quemaduras.
- No utilices el horno para cocinar alimentos extremadamente grasos u otros productos que reaviven la llama.
- Mantén el área alrededor del horno libre de material inflamable, incluso líquidos, residuos y vapores, como gasolina o líquido para encender carbón.
- No bloquee el flujo de combustión y ventilación.
- Nunca utilices el horno en condiciones extremadamente ventosas.
- La temperatura debajo del horno es elevada. No coloques el horno en una mesa con manteles inflamables, plástico u otros materiales similares.

## Paso 1

### Instala el tubo de la manguera (si es necesario)

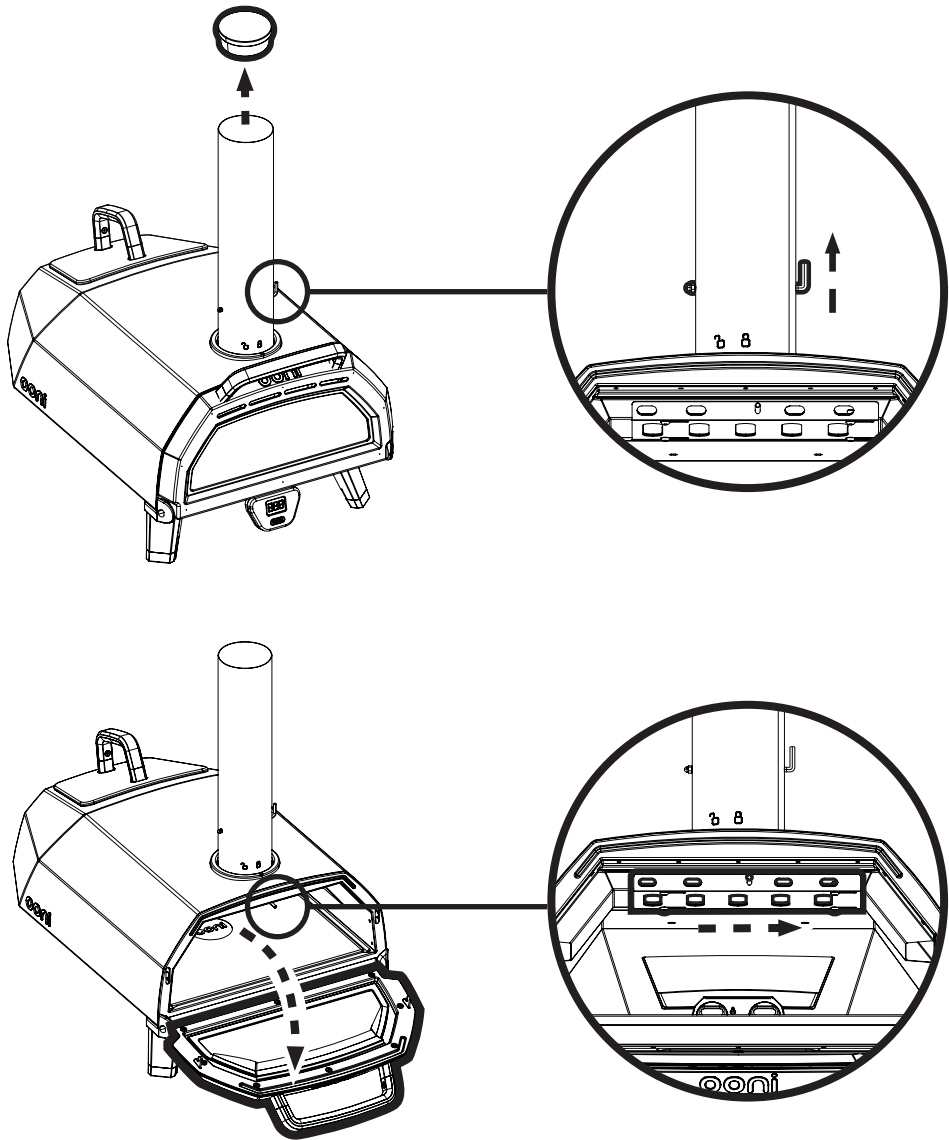
#### Paso 1a

Ajusta con llaves adecuadas



## Paso 2

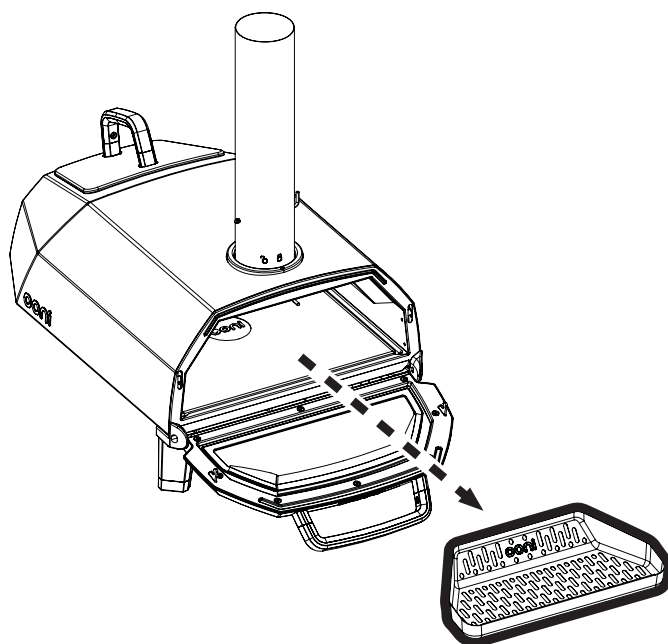
- a. Retira la tapa de la chimenea.
- b. Abre el deflector de la chimenea.
- c. Abre la puerta y desliza la ventilación del techo para abrirla.



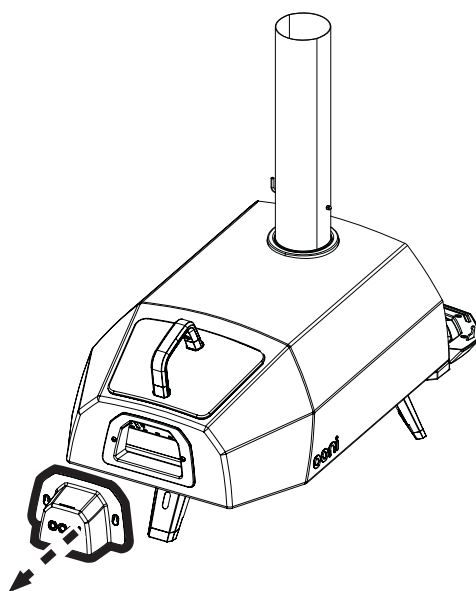
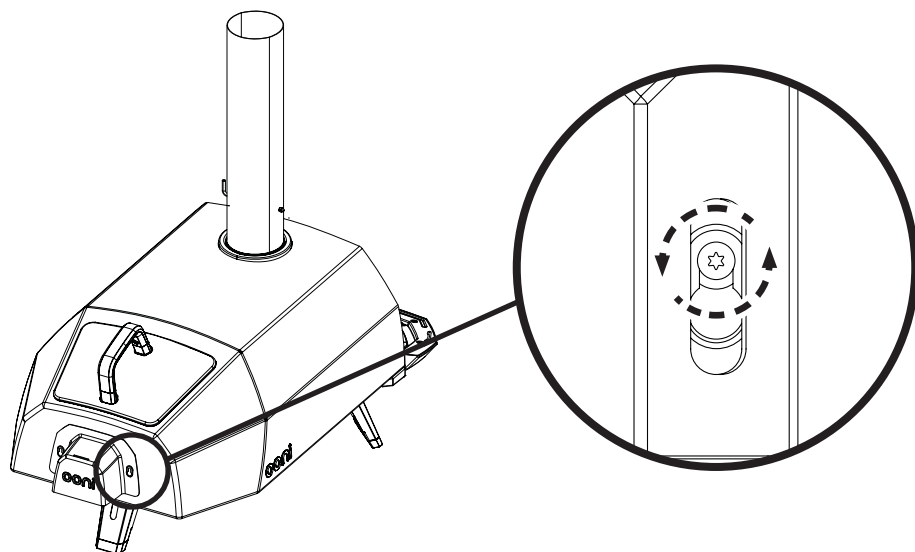
**!** Durante su uso, asegúrate de que la ventilación de la chimenea y la del techo estén completamente abiertas.

### Paso 3

### Retira la bandeja de combustible y la rejilla



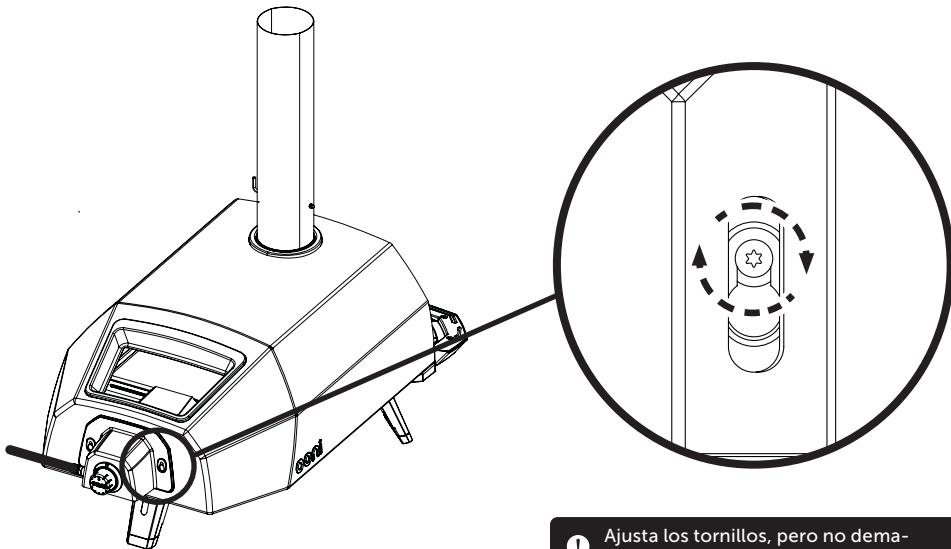
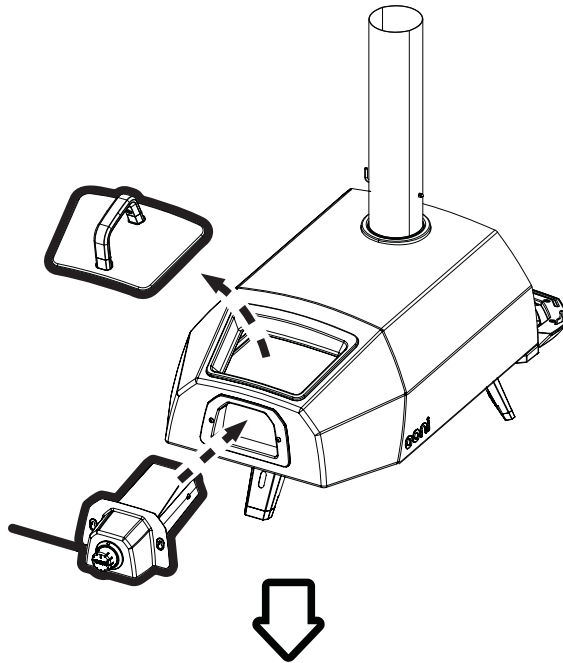
Paso 4  
Retira la placa protectora difusora trasera





Paso 5

Retira la bandeja y coloca el quemador de gas

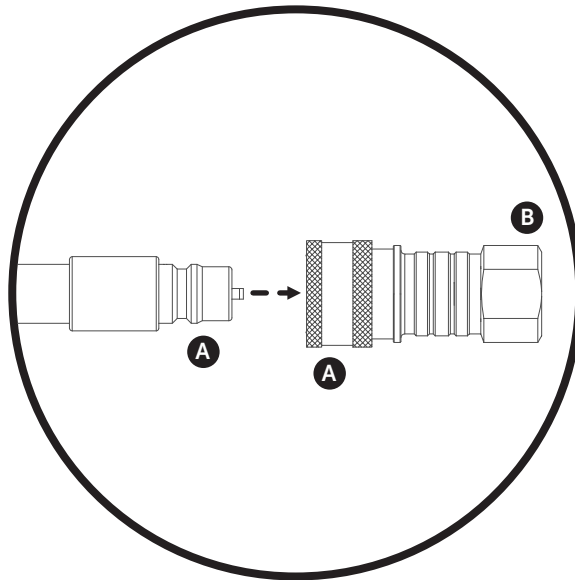


! Ajusta los tornillos, pero no demasiado

## Cómo conectarlo al suministro de gas natural

1. Conecta el lado A de la manguera de gas natural al lado A del conector rápido.
2. Conecta el lado B del conector rápido a tu salida de suministro de gas natural con una rosca macho NPT de 3/8".

**Necesitarás:**  
Conector rápido suministrado



Consulta las regulaciones de gas natural locales o a un ingeniero en gas para obtener consejos sobre cómo conectarlo a tu salida de gas natural.

## Verificación de fugas

### General

Aunque se hayan examinado las conexiones de gas del electrodoméstico para saber si presentan fugas antes de su embalaje y envío, se debe realizar una prueba completa en el lugar de instalación.

Antes de cada uso, verifica si las conexiones de gas presentan fugas siguiendo el procedimiento descrito a continuación. Si en algún momento sientes olor a gas, debes dejar de usarlo de inmediato y verificar todo el sistema para saber si existen fugas.

### Antes de examinarlo

Asegúrate de haber retirado todo el material de embalaje del electrodoméstico.

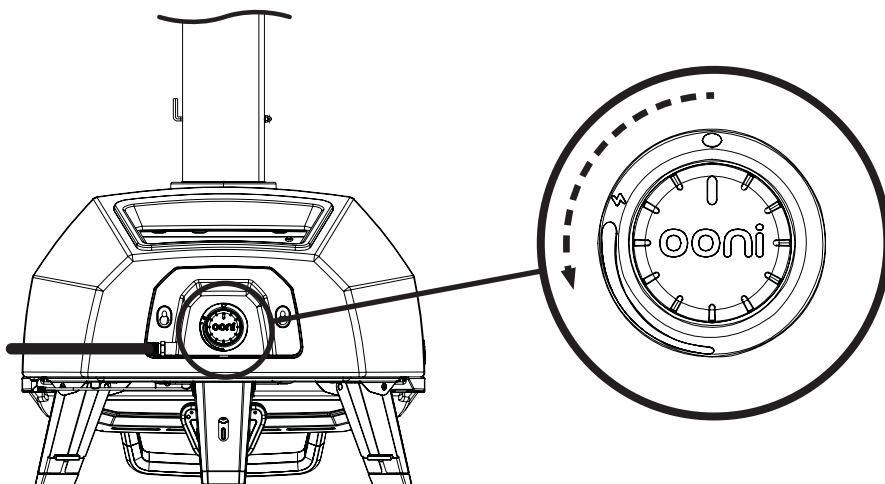
Prepara una solución de una parte de detergente líquido y otra de agua. Necesitarás un rociador, cepillo o paño para aplicar la solución en las conexiones.

### Para examinarlo

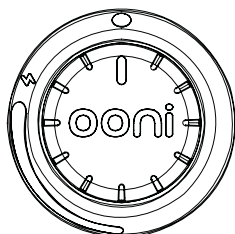
1. Apaga la válvula del quemador.
2. Enciende el suministro de gas natural.
3. Aplica la solución de jabón a todas las conexiones de gas. Aparecerán burbujas donde haya una fuga.
4. Si existe una fuga, apaga el suministro de gas de inmediato y ajusta las conexiones que presenten fugas.
5. Vuelve a encender el gas y reexaminalo.
6. Si aún existen fugas de gas en alguna de las conexiones, apaga el suministro de gas y contacta a atención al cliente.

## Paso 7 Encendido

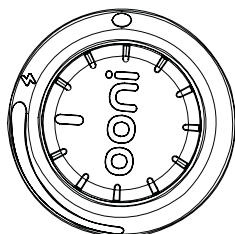
1. Enciende el suministro de gas natural.
2. Presiona el botón y gíralo hacia la izquierda hasta que haga clic. No lo gires demasiado rápido. Deberían transcurrir alrededor de 3 segundos desde que presionas el botón hasta que hace clic.
3. Mantén presionado el botón durante 5 segundos, luego suéltalo.



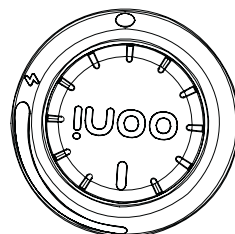
**Apagado**



**Potencia máxima**



**Potencia mínima**



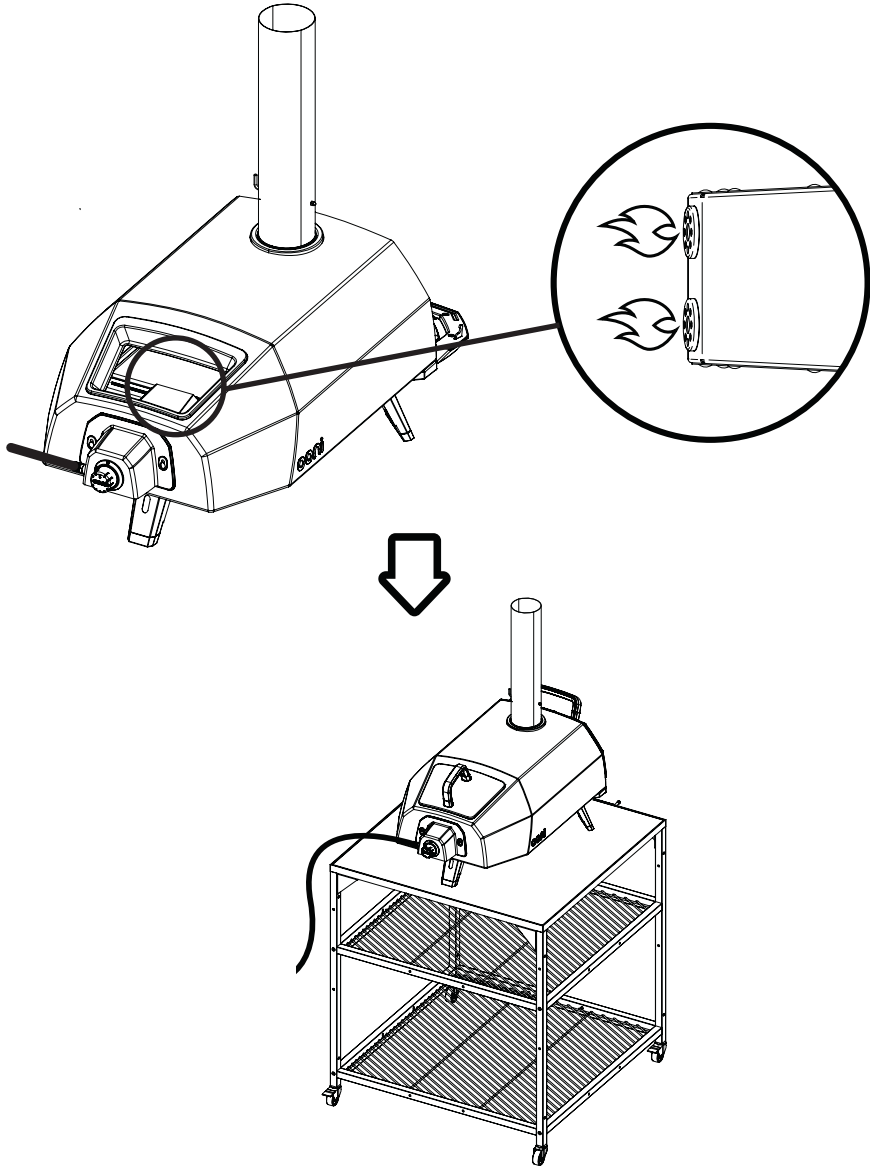
! Siempre retira la bandeja y abre la puerta al momento de encender el quemador de gas

! Mantente alejado del horno cuando lo enciendas; asegúrate de que nadie esté a menos de 1 metro (3 pies) del frente del horno. Mantente al frente del horno cuando lo enciendas, y no te inclines sobre la bandeja de combustible del horno.

## Paso 8

### Verifica que el quemador de gas esté encendido

1. Si el quemador está encendido, vuelve a colocar la bandeja y cierra la puerta.
2. Si no está encendido, apaga el gas y vuelve al Paso 7.
3. Si el quemador aún no se enciende, sigue el Paso 9.

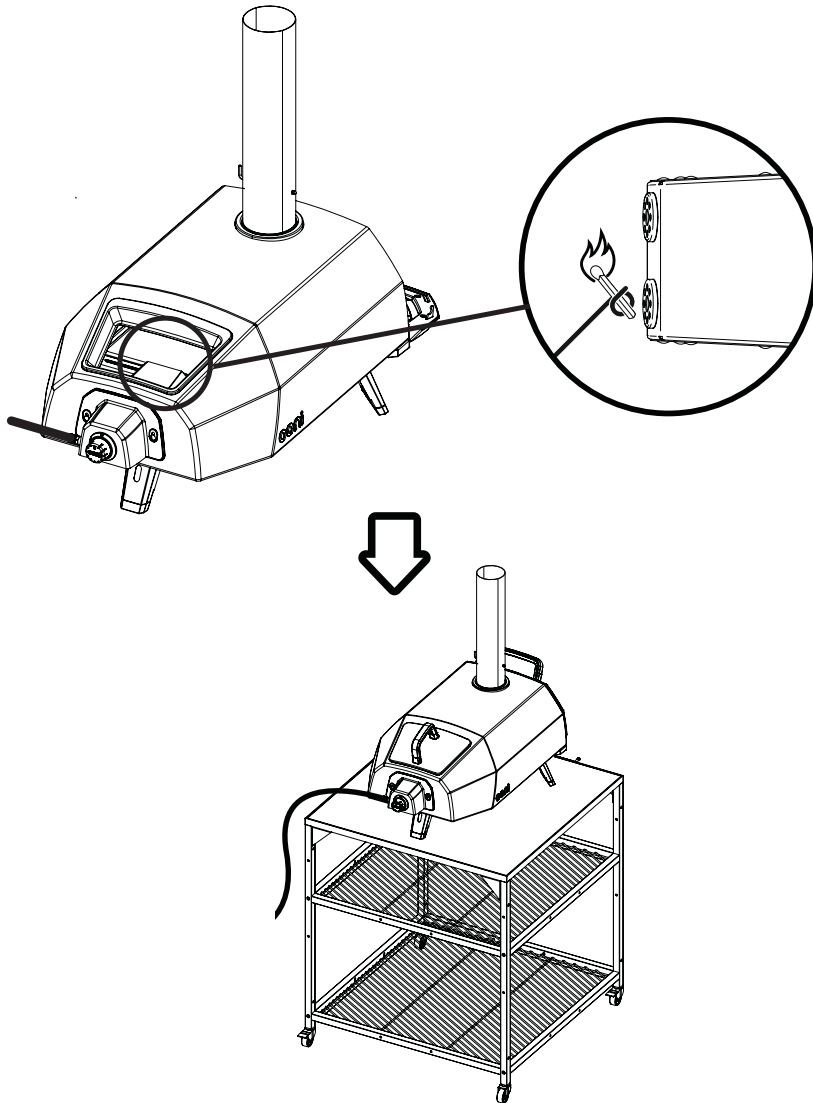


Siempre coloca la manguera de gas lejos del horno. La manguera no debe tener contacto con el cuerpo del horno

## Paso 9

### Encendido con un fósforo

Si el quemador no se enciende: enciende el gas y enciéndelo con un fósforo y el portafósforos suministrado a través de la bandeja en la parte posterior del horno. Manténlo frente a los quemadores. Presiona y gira la perilla como se describe en el Paso 7.



Siempre coloca la manguera de gas lejos del horno. La manguera no debe tener contacto con el cuerpo del horno



Si se apagan las llamas, apaga el gas y aguarda 5 minutos antes de volver a encenderlo

## Resolución de problemas





Problema	Posible causa	Prevención/Solución
Mi horno no calienta lo suficiente	<ol style="list-style-type: none"> <li>1. El tubo está agrietado o presenta fugas</li> <li>2. El regulador está mal colocado</li> <li>3. Funcionamiento en condiciones climáticas extremas</li> </ol>	<ol style="list-style-type: none"> <li>1. Asegúrate de que el tubo no esté agrietado ni presente fugas</li> <li>2. Asegúrate de que el regulador esté instalado de forma adecuada al ensamble de la línea de gas al verificar si existen fugas, y que la manguera esté adherida firmemente al quemador de gas usando llaves del tamaño correcto según se describe en el manual de instrucciones</li> <li>3 No debes utilizar el quemador y el horno de gas en condiciones climáticas extremas (p. ej., viento intenso)</li> </ol>
Mi quemador de gas no se enciende	<ol style="list-style-type: none"> <li>1. Instalación inadecuada</li> <li>2. La manguera está agrietada o presenta fugas</li> <li>3. La técnica de encendido es inadecuada.</li> <li>4. El regulador está mal colocado</li> <li>5. La alineación del chispero es inadecuada</li> </ol>	<ol style="list-style-type: none"> <li>1. Asegúrate de retirar la tapa de la chimenea y que las ventilaciones del techo y la chimenea estén abiertas. La puerta debe estar abierta.</li> <li>2. Asegúrate de que el tubo no esté agrietado ni presente fugas</li> <li>3. Girar el dial demasiado rápido puede evitar que se encienda el horno de gas.</li> <li>4. Asegúrate de que el regulador esté instalado de forma adecuada al ensamble de la línea de gas al verificar si existen fugas, y que la manguera esté adherida firmemente al quemador de gas usando llaves del tamaño correcto según se describe en el manual de instrucciones</li> <li>5. Vuelve a posicionar el extremo del chispero para que esté a 2-3 mm del frente de la tapa del quemador.</li> </ol>
La llama es demasiado amarilla o demasiado azul	La variación en el ambiente, los alimentos que cocinas, la temperatura ambiente y la condición de tu horno Ooni pueden afectar el color de la llama	El color de la llama no afectará el sabor o la calidad de tus alimentos.
Mi FSD no funciona correctamente	Debe haber hollín acumulado en el sensor de mi FSD	Asegúrate de que el quemador y el suministro de gas estén apagados, espera que el quemador se enfríe, limpia cuidadosamente el sensor y los orificios del quemador con un paño húmedo y deja que se seque por completo antes de volver a encenderlo.
El quemador de gas del Ooni no mantiene la llama	<ol style="list-style-type: none"> <li>1. Falta de oxígeno</li> <li>2. El horno está colocado en una superficie desnivelada</li> </ol>	<ol style="list-style-type: none"> <li>1. Abre la ventilación de la chimenea de tu Ooni Karu 16 para que haya un mejor flujo de aire a través del horno</li> <li>2. Si tu Ooni está colocado en una superficie inclinada, el oxígeno no fluirá bien. Intenta colocarlo en una superficie plana.</li> </ol>
Puedo escuchar un sonido rugiente que proviene del quemador de gas y las llamas son muy débiles	La llama se enciende dentro de las orificios	Apaga de inmediato el suministro de gas y el quemador de gas, espera 5 minutos y vuelve a encenderlo.

# Información técnica del producto

## Número del modelo

Ooni Karu 16

## Etiqueta del producto

		ANS Z21.89-2017 CSA 1.18-2017 Outdoor Cooking Specialty Gas Appliance / Cuisiner en plein air spécialisés appareils à gaz			
Ooni Limited, Unit 5 Bishopsgate Business Park, 189 West Main Street, Broxburn, West Lothian, Scotland, EH52 5LH					
Ooni Karu 16 Gas Burner / Brûleur à gaz Ooni Karu 16					
Components / Composant		NG		Rate Input / Taux d'entrée (BTU/H)	
Main burner / Brûleur principal		1.8mm		25000	
 <p>Stand to side when lighting - never look directly into the oven or at the flame.                  Colóquese a un lado cuando vuelva a encenderlo, nunca mire directamente al horno o a la llama.                  Tiens-toi sur le côté lors du réalumage. Ne regarde jamais directement la flamme ou l'intérieur du four.</p>		 <p>Always ensure the Ooni Karu 16 door is open, and the fuel hatch is off, when lighting or relighting.                  Asegúrese siempre de que la puerta del Ooni Karu 16 esté abierta y la trampilla de combustible cerrada cuando encienda o vuelva a encender el aparato.                  Lors de l'allumage ou du réalumage, vérifie toujours que la porte du four Ooni Karu 16 est ouverte et que la trappe du réservoir à combustible est retirée.</p>		<b>SN</b>	
<b>FR</b> Pour une utilisation extérieure seulement. Si l'appareil est rangé à l'intérieur, déconnecter de l'alimentation en gaz naturel. Le non-respect des consignes ci-dessus pourrait causer un incendie mortel ou des blessures graves. Le dégagement minimum entre les côtés de l'unité et une construction combustible est de 36 po des côtés et de 36 po du devant. N'utilisez pas l'appareil sous des surfaces combustibles. AVERTISSEMENT : Utilisez seulement le régulateur de pression à gaz fourni avec cet appareil. Ce régulateur est conçu pour une sortie de pression de 4 pouces CE. Fermez l'alimentation GN à la source lorsque l'appareil n'est pas utilisé. Assurez-vous que le bouton de commande est en position ARRÊT, puis activez la vanne de gaz naturel à MARCHÉ en la tournant lentement. Cet appareil n'est pas conçu pour un usage commercial.  INSTRUCTIONS D'ALLUMAGE - POUR ALLUMER LE BRÛLEUR Lisez bien toutes les instructions avant de procéder à l'allumage Assurez-vous que le bouton de commande est en position ARRÊT, puis activez la vanne d'alimentation de gaz naturel en la tournant lentement dans le sens contraire des aiguilles d'une montre. Enfoncez le bouton de commande et tournez-le lentement dans le sens contraire des aiguilles d'une montre jusqu'à ce qu'il s'enclenche et que le brûleur s'allume. Si le brûleur ne s'allume pas, fermez le bouton de commande, attendez 5 minutes, puis recommencez le processus d'allumage.			<b>EN</b> For outdoor use only. If stored indoors, detach from natural gas supply. If the information beyond is not followed exactly, a fire causing death or serious injury may occur. Minimal clearance from sides and back of the unit to combustible construction, 36 inches from the sides and 36 inches from the front. Do not use the appliance under overhead combustible surfaces. CAUTION: Use only the gas pressure regulator supplied with this appliance. This regulator is set for an outlet pressure of 4wvc. Turn off the NG supply at source when the appliance is not in use. Make sure the control knob is in OFF position, and then turn the NG valve ON slowly. This appliance is not intended for commercial use.  <b>LIGHTING INSTRUCTION - TO LIGHT THE BURNER</b> Read all instructions before lighting Make sure the control knob is in OFF position, and then turn the natural gas source valve ON by slowly turning counterclockwise. Push in and slowly turn the control knob anticlockwise until you hear a click and the burner ignites. If the burner doesn't light, turn the knob OFF, wait 5 minutes and repeat the lighting.		
<b>ES</b> Solo para utilizar en exteriores. Si se conserva en interiores, desconéctalo del suministro de gas natural. Si la información anterior no se sigue de manera exacta, puede ocurrir un incendio y provocar lesiones graves o la muerte. La distancia mínima entre las partes laterales y posterior de la unidad y una construcción inflamable debe ser de 36 pulgadas desde los laterales y 36 pulgadas desde el frente. No utilices este electrodoméstico bajo superficies inflamables. PRECAUCIÓN: Utiliza solo el regulador de presión de gas que se suministra con este electrodoméstico. Este regulador está configurado para una presión de salida de 4 wvc. Apaga el suministro de gas natural en la fuente cuando no utilices el electrodoméstico. Asegúrate de que la perilla de control esté en la posición de apagado; luego, enciende la válvula de gas natural girándola lentamente hacia la izquierda. Este electrodoméstico no está diseñado para uso comercial.  INSTRUCCIONES DE ENCENDIDO: PARA ENCENDER EL QUEMADOR Lee todas las instrucciones antes de encenderlo Asegúrate de que la perilla de control esté en la posición de apagado; luego, enciende la válvula de la fuente de gas natural girándola lentamente hacia la izquierda. Presiona y gira la perilla de control lentamente hacia la izquierda hasta que escuches un clic y el quemador se encienda. Si el quemador no se enciende, apaga la perilla, espera 5 minutos y vuelve a encenderlo.					

## Horno de gas Ooni Karu 16

Tipo de gas	Cantidad de quemadores	Tamaño del inyector del quemador principal (mm)	Total de consumo de gas (BTU/h)	Presión de gas en KPa
NG	1	1.8	25000	1



### ADVERTENCIA:

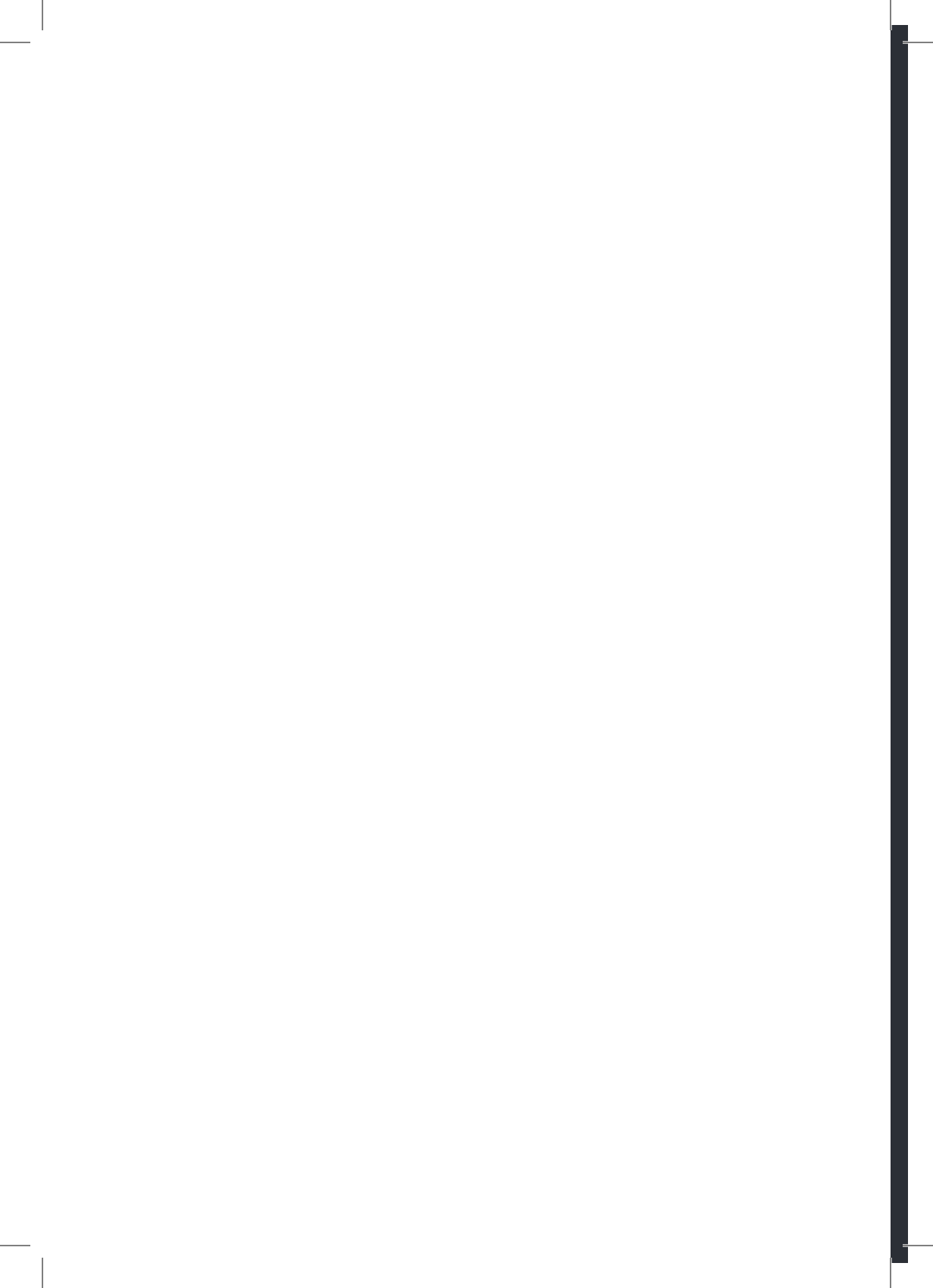
No rocíes aerosoles en los alrededores de este electrodoméstico mientras esté en funcionamiento.

No utilices ni conserves materiales inflamables en este electrodoméstico o cerca de él.

No coloques artículos sobre este electrodoméstico o contra él. No modifiques este electrodoméstico







The first part of the document discusses the importance of maintaining accurate records of all transactions. It emphasizes that every receipt, invoice, and bill should be properly filed and indexed for easy retrieval. This not only helps in tracking expenses but also ensures compliance with tax regulations. The document provides a detailed guide on how to set up a filing system, including the use of folders, labels, and digital tools. It also highlights the benefits of regular audits and reconciliations to identify any discrepancies or errors in the accounts.

In the second section, the author explores various budgeting techniques and how they can be applied to different types of businesses. It covers the basics of budgeting, such as identifying income sources and fixed costs, and then moving on to more advanced strategies like zero-based budgeting and the 50/30/20 rule. The document includes several practical examples and templates to help readers create their own budgets. It also discusses the importance of monitoring and adjusting the budget as needed to stay on track.

The third part of the document focuses on financial forecasting and analysis. It explains how to use historical data and market trends to predict future performance. Key metrics like profit margins, cash flow, and return on investment are discussed in detail. The document provides a step-by-step process for developing a financial forecast, from gathering data to presenting the results to stakeholders. It also offers tips on how to use the forecast to make informed business decisions and allocate resources effectively.

Finally, the document concludes with a section on financial planning and goal setting. It encourages readers to set clear, measurable financial goals and to develop a plan to achieve them. This includes considerations for long-term wealth building, retirement planning, and estate planning. The document provides a checklist of key financial planning tasks and offers resources for further learning and support.

